



Quantium 510



Parts Manual



Document Ref 942610-001
Rev - 1
11/2009

Great care has been taken in the preparation of this manual however Tokheim shall not be liable for any misunderstanding, errors and/or loss or defect arising from the use of this manual.

Tokheim shall not be liable for damage to the product, nor for personal or third party injury, caused by incorrect use of the product or by attempts to maintain or to repair the product by parties other than those fully trained by Tokheim or by its accredited third party representatives.

Please contact your nearest service department, at the relevant address printed on the back cover of this manual, should any aspect of this manual be unclear.

© Copyright by Tokheim. All intellectual rights arising from, accruing to, and residing in this manual belong to Tokheim. No part of this document may be reproduced in any form without the express written permission of Tokheim.

Tokheim reserves the right to apply changes to this document and the equipment without further notice.

REVISION RECORD

Date	Revision	Page	Reason
12/11/2009	Rev 1	All	Original Issue

This page is intentionally blank

CONTENTS

1	INTRODUCTION	1-2
1.1	How To Use This Manual	1-2
1.1.1	Drawing Interpretation	1-2
1.2	Product Scope	1-2
1.3	Authorised Technicians	1-3
1.4	Contact Information	1-3
1.5	Health & Safety	1-3
1.5.1	Safety Checklist	1-3
1.5.2	Duties of the Employees	1-4
1.5.3	Hazards	1-4
1.5.4	Warning Signs	1-5
1.5.5	Personal Protective Equipment (PPE)	1-6
1.6	Standards & Certificates	1-7
1.6.1	Dispenser Marking for the ATEX Directive	1-7
1.6.2	Special Conditions for Safe Use	1-8
1.7	MID Dispensers	1-8
2	CLADDING & FRAMEWORK	2-2
2.1	Frame Assembly	2-2
2.2	Cladding Assembly	2-6
2.3	VHS2M5-6 Frame & Cladding Assembly	2-16
2.4	Frame & Cladding Assembly with Wincor Integrated Payment Terminal	2-18
2.5	Lock Assembly	2-22
3	CLADDING & FRAMEWORK	3-2
3.1	Hose Management Assembly	3-2
3.1.1	Wheel Roller Bracket Assembly	3-6
3.2	Nozzle Panel Assembly	3-8
3.3	Hoses	3-10
3.3.1	417cm Length	3-10
3.4	Nozzles	3-11
3.4.1	Elaflex ZVA2 Nozzles (Non-Secure)	3-11
3.4.2	Elaflex ZVA25 Nozzles (Non-Secure)	3-13
3.4.3	OPW Nozzles	3-13
3.5	Nozzle Extras	3-14
3.5.1	Nozzle Covers	3-14
3.5.2	Sleeves	3-15
3.5.3	ZVA2 Product Indication Sleeve	3-15
3.5.4	ZVA2 Splashguards	3-16
3.5.5	Sleeve Breaks	3-17
3.5.6	Break Couplings	3-17
4	DISPENSER HYDRAULICS	4-2
4.1	Flexible Connections	4-2
4.2	Filter Assembly	4-6
4.3	EPZ Hydraulic Stack Assembly	4-8
4.4	PAS V3 Hydraulic Stack Assembly	4-10
4.5	Pipe Assemblies	4-12
4.5.1	Standard & HS 1-2 Models	4-12
4.5.2	Models HS 2-2, HS 2-4, HS 3-3, HS 3-6, HS 4-4, HS 4-8, HS 5-8, THS 2-4, THS 3-6	4-14

(CONT.)

4	DISPENSER HYDRAULICS/	
4.5.3	High Speed on First Column - Models HS 2-4, HS 3-6 & HS 4-8 ..	4-16
4.5.4	Model THS 1-2 & High Speed on First Column - Models HS 5-8 & THS 2-4	4-18
4.5.5	Models VHS 1-2 Single Sided & VHS 2-4	4-20
4.5.6	Model VHS 3-6	4-22
4.5.7	Model VHS 4-4	4-24
4.5.8	Model VHS 4-8	4-26
4.5.9	Models VHS 1-1, VHS 1-2, VHSM 1-1 & VHSM 1-2	4-30
4.5.10	Model VHSM 2-4 (With SIB Valves)	4-34
4.5.11	Model VHSM 2-4 (With Danfoss Valves)	4-38
4.5.12	Models HSM 1-1 & HSM 1-2	4-40
4.5.13	Model HSM 5-8	4-42
4.5.14	Model SVHS 5-8	4-44
4.5.15	Model SVHSM 5-5 Left	4-46
4.5.16	Model SVHSM 5-5 Right	4-48
4.5.17	Models VHS2M5-6 & VHS25-6	4-50
4.6	Satellite Pipe Assembly	4-52
4.7	Valve & Fittings Assemblies	4-54
4.7.1	SIB Valve Assemblies	4-54
4.7.2	Danfoss Valve Assemblies	4-56
4.8	Submerged Assembly	4-58
4.9	Air Vent Pipe Assemblies	4-62
5	DISPENSER ELECTRONICS	5-2
5.1	Calculator Head Assembly	5-2
5.2	Centre Plate Assembly	5-4
5.3	Door Assembly	5-8
5.4	Mains Switch Rail Assembly	5-10
5.5	Shock Detection Rail Assembly	5-12
5.6	Wincor Calculator Head Assembly	5-14
5.6.1	Wincor Door Assemblies	5-16
5.7	Signal Lamp Assemblies	5-18
5.8	Dispenser Integrated Terminal Assembly [DIT]	5-20
5.9	DIT Door Assemblies	5-24
5.10	Power Supply Unit for DIT Assembly	5-26
5.11	Main Junction Box Assembly	5-28
5.11.1	Main Junction Box Internal Components	5-30
5.12	Speaker Junction Box Assembly	5-32
5.13	Speaker/MiniSat Junction Box Assembly	5-34
5.14	Fire Detection Assembly	5-36
5.15	Wincor Mains Rail Assembly	5-38
6	VAPOUR RECOVERY	6-2
6.1	VR Pump Assembly	6-2
6.2	ECVR Standard Assembly	6-4
6.3	ECVR SCS Assembly	6-6
6.4	ECVR Open Loop with VR Gauge Assembly (Italy Only)	6-8
6.5	VR Suction Line	6-10
6.6	VR per Product Option	6-12
6.7	VR Return Line - Ethanol Only	6-14
6.8	VR Return Line with Shear Valve - UK Only	6-16
6.9	VR Risbridger Shear Valve Option	6-18

CONTENTS

1	INTRODUCTION	1-2
1.1	How To Use This Manual	1-2
1.1.1	Drawing Interpretation	1-2
1.2	Product Scope	1-2
1.3	Authorised Technicians	1-3
1.4	Contact Information	1-3
1.5	Health & Safety	1-3
1.5.1	Safety Checklist	1-3
1.5.2	Duties of the Employees	1-4
1.5.3	Hazards	1-4
1.5.4	Warning Signs	1-5
1.5.5	Personal Protective Equipment (PPE)	1-6
1.6	Standards & Certificates	1-7
1.6.1	Dispenser Marking for the ATEX Directive	1-7
1.6.2	Special Conditions for Safe Use	1-8
1.7	MID Dispensers	1-8

1 INTRODUCTION

1.1 How To Use This Manual

It is recommended that all relevant persons familiarise themselves with the contents of this manual prior to carrying out any operations or procedures.

This manual is divided into sections which are described as follows: -

Section 1 - Introduction

This section contains information on how to use the manual, the scope of equipment covered, recommendations on qualified technicians and contact information. It also includes relevant health and safety information required for the safe practice of common maintenance procedures.

Section 2 - Cladding & Framework

This section contains the part identification list for the dispenser cladding and framework.

Section 3 - Hose Management

This section contains the part identification list for the dispenser hose management.

Section 4 - Dispenser Hydraulics

This section contains the part identification list for the dispenser hydraulics.

Section 5 - Dispenser Electronics

This section contains the part identification list for the dispenser electronics.

Section 6 - Vapour Recovery

This section contains the part identification list for the dispenser vapour recovery system.

1.1.1 DRAWING INTERPRETATION

This Parts Manual is designed to show the maximum number of options and configurations using the minimum number of drawings. Therefore in many cases, the drawings will not correspond to a particular dispenser configuration and the engineer must take care to identify the required arrangement on the drawing.

For clarity, the following guidelines have been applied to the Parts Manuals:-

- Item quantities are not shown on the drawings or parts lists.
- If there are multiple sub-assemblies displayed on the same drawing then only one instance is exploded.
- Where possible, duplication has been avoided.

1.2 Product Scope

The equipment and models covered by the contents of this manual are: -

The Quantum 510 range of fuel dispensers, with the exception of the LPG version.

For information on Quantum LPG dispensers refer to the relevant LPG manual as provided by Tokheim.

All dispensers in the range use the same standard sub-assemblies and offer a wide range of configurations and includes provision for options such as integrated payment terminal, vapour recovery etc.

1.3 Authorised Technicians

Only qualified technicians familiar with the contents of this manual should carry out the procedures contained herein.



WARNING : ANY ATTEMPTS TO CARRY OUT THE PROCEDURES OF THIS MANUAL, BY UNQUALIFIED OR UNAUTHORISED PERSONS, MAY RESULT IN SERIOUS INJURY OR LOSS OF LIFE.

NOTE : THIS MANUAL IS NOT INTENDED TO REPLACE THE SERVICES OF A FULLY QUALIFIED TECHNICIAN.

1.4 Contact Information

For information relating to the contents of this manual please contact: -

Technical Author
Tokheim UK Ltd.
Dundee, Scotland

For technical assistance please contact the appropriate service division listed on the back cover of this manual.

1.5 Health & Safety

1.5.1 SAFETY CHECKLIST

- It is obligatory that this checklist be fully complied with during all work at the petrol station, particularly construction or repair work.
- It is the duty of the contractor to ensure that all workers employed by him obey each and all of the relevant laws, directives and other regulations.

Areas where special caution is required

- The insides of tanks, tubes, dome shafts, filling shafts, change over shafts, vessels and dispensers.
- All areas in which fuel vapour that is heavier than air can accumulate, e.g. fuel separator, draining shafts, low located rooms, cellars, excavations, pipe trenches etc.
- The areas around the outlets of tank ventilation pipes, especially during the filling phase.
- All areas near dispensers, tanker lorries and other vehicles while they are being tanked up, and particularly when there is a lack of wind.
- A radius of 1.0 metres around petrol carrying pipes, as well as pipes that are not vapour free.
- Silt traps.

1.5.2 DUTIES OF THE EMPLOYEES

- To ensure optimal accident prevention in our company, in addition to general rules applying to worker's protection, it is necessary to take into account all the national protection of workers legislation and to actively support all measures which enhance safety standards.
- It is an employee's duty to follow all company directives regarding the prevention of accidents, unless such directives can be proved to be unfounded.
- Employees should not follow any instructions that go against safety standards.
- Employees are only permitted to use equipment for its original purpose, and this is defined by the company alone.
- If an employee detects equipment that is deficient in terms of safety, he shall eliminate this deficiency immediately. If such safety rectification is not part of his defined area of activities, or if his knowledge is insufficient to carry out such work he must immediately inform his superior about the detected safety deficiency.

This equally applies to:

- 1) **Work Materials** which have not been correctly packed or correctly marked in order to meet safety requirements.
- 2) **Work Methods** or work processes which have not been correctly coordinated or controlled in order to meet safety requirements.
- 3) **Where dangerous activities are carried out by several persons**, the need for a permanent faultless communication between them in order to avoid dangerous events shall require the appointing of one person in order to carry out overall supervision.

1.5.3 HAZARDS

Prior to starting work, the dispenser must be isolated (i.e. entirely disconnected from the mains supply) and the mains supply switch locked in the OFF position. The submerged pump (if applicable) and control signals from the dispenser must also be isolated. This is done to provide safety for the technician. As a further precaution, switch off the mains supply in the service station shop and place a clear notice on the switch to avoid it being turned on again inadvertently.



WARNING : THE CONNECTION AND DISCONNECTION OF ELECTRICAL CONNECTIONS MAY ONLY BE CARRIED OUT BY QUALIFIED PERSONNEL AUTHORISED FOR SUCH ACTIVITIES. WORK IN DANGEROUS AREAS MUST BE MADE SAFE BY OBSERVING ALL THE NATIONAL SAFETY REQUIREMENTS IN FORCE.

It is not permitted to put a fuel dispenser into operation before an authorised official has inspected it and released it. This depends upon the national regulations in force.



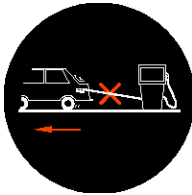
Dismantled packaging and cladding must be stored in such a way as to avoid damage to components or injuries to persons. Covers that can be opened, such as the calculator housing, should be handled with care. Ensure that the retaining catch is placed in the correct position to prevent the cover falling onto the head of the service engineer or other persons in the area.

At unattended service stations, every end-user should be able to read the User Instructions. They should be visible on a notice board or integrated into the DIT and should be sufficiently well lit so that they can be read at night.

At unattended service stations break away couplings must always be used to reduce the danger caused by a motorist driving off with the nozzle still in the tank.

1.5.4 WARNING SIGNS

The following warning signs are fitted as standard, on the dispenser, however they may vary according to individual country requirements or customer specifications.

SIGN	MEANING	POSITION
	Do not use mobile phones	Visible from both sides of dispenser
	Naked flames and smoking forbidden	Visible from both sides of dispenser
	Do not spill fuel on the ground	Visible from both sides of dispenser
	Stop vehicle engine	Visible from both sides of dispenser
	Trucks only	At Diesel high speed dispensers near the nozzle boots
	Do not drive away with nozzle in tank	Visible from both sides of dispenser
For more information see User Manual available at this station		Next to User Instructions near the nozzle boot

1.5.5 PERSONAL PROTECTIVE EQUIPMENT (PPE)**PROTECTIVE CLOTHING**

The following clothing should be worn **at all times** during installation and maintenance procedures:-

- Protective helmet.
- Protective shoes (conductive).
- Protective gloves and/or protective hand cream.
- Anti static clothing.
- Eye protection.

SAFETY EQUIPMENT FOR WORKING IN HAZARDOUS AREAS

The following safety equipment is required for working in hazardous areas:-

- Only spark free tools are permitted for work on dispensers.
- Work on bearings is only permitted using the standard workshop tools authorised for this kind of work.
- The use of all electrical tools is strictly prohibited.
- Only the use of explosion protected work lights is permitted.
- The use of telecommunications equipment in hazardous areas is strictly prohibited.

SAFETY INSTRUCTIONS

The following safety instructions must be adhered to during installation and maintenance procedures:-

- Inhalation of petrol vapour must be avoided. Suitable precautions must be taken and where necessary respirators used.
- Avoid direct contact of fuel with the skin.
- Use suitable protective clothing, protective gloves and/or protective hand cream.
- Avoid fuel spills.
- No smoking, no naked flames are permitted.
- Long hair and ties can get caught in moving parts. Hair must be suitably covered.

1.6 Standards & Certificates

This dispenser is constructed in conformity with the requirements of all the applicable European Directives (Machinery 98/37/EC; EMC 89/336/EEC; ATEX 94/9/EC).

The components used within the dispenser, including connection facilities, are selected in accordance with the European Standard EN BS 60079-0 (Electrical Apparatus for explosive gas atmospheres), and the supplementary Standards listed therein.

Diesel dispensers do not create an explosive hazard, but due to the probability of these being in close proximity to gasoline dispensers, the same construction rules are applicable.

The dispenser is certified by SIRA as suitable for use in Potentially Explosive Atmospheres Directive 94/9/EC, and marked to be in accordance with the European Dispenser Construction Standard EN 13617-1.

This dispenser is also certified to OIML International Recommendations R117 and R118. Certificate Numbers R117/1995-NL-01.04 & 08.

The production and end test is controlled through the Quality Assurance systems within the Tokheim Manufacturing Centres, and has received Quality Assurance Notification from a Notified Body.

No modification to the dispenser may be performed without express permission from Tokheim and must always use original components or Tokheim retrofit kits. Failure to comply with the above will invalidate product conformance with the relevant European Directives and Tokheim will no longer accept product liability.

1.6.1 DISPENSER MARKING FOR THE ATEX DIRECTIVE

The dispenser is labelled by Tokheim in accordance with the requirements of the ATEX Directive. This labelling includes:-

- The CE mark (CE conformity)
- The specific explosion protection mark, together with the mark indicating the equipment group and category; and, relating to equipment group II, the letter “G” (concerning explosive atmospheres caused by gases and vapours)
- The “Tokheim” name or logo and manufacturing location
- The dispenser type and serial number including the year of production

Labels can either be plastic stickers or metal plates and may vary according to national requirements. A typical example of a label follows:-

0518 SIRA
or
0081 LCIE

DUNDEE
OR
GRENTHEVILLE

“X” CONDITIONS -
refer to section 1.6.2

1.6.2 SPECIAL CONDITIONS FOR SAFE USE

Certain models include Special Conditions for Safe Use which must be observed prior to putting the dispensers into operation. Failure to do so will invalidate the ATEX certification of the dispenser. These models can be identified by an X at the end of the certificate number as shown on the dispenser typeplate.

The Special Conditions for Safe Use are identified in the ATEX EC Type-Examination Certificates and are repeated below:-

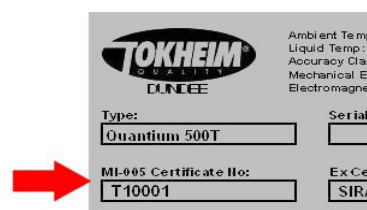
- Where a dispenser is supplied without hoses and/or nozzles, they shall be fitted in accordance with:
 - Hoses : EN1360 or EN13483
 - Nozzles: EN13012
- When used for ethanol (blend) dispensing, the fuel specification must be less than or equal to 85% ethanol, with minimum water content.
- The metering pumps and dispensers are designed for use in open air. Where a metering pump or dispenser is positioned within a building, incorporated into an enclosure, or integrated into a larger piece of equipment, additional measures shall be taken to ensure that the zoning diagrams illustrated in the schedule drawings are not compromised.

1.7 MID Dispensers

From mid 2007, Tokheim dispensers may be shipped from European factories in accordance with the Metrological Instruments Directive (MID). Such dispensers are calibrated and the relevant seals stamped in the factory so that the dispensers are fit for trade immediately upon installation without the need for a local Weights and Measures inspector to put them into use.

The dispenser is shipped with its own “MID datasheet” which documents the serial numbers of the prime components fitted in the dispenser. This datasheet must remain with the dispenser. Similarly dispensers are shipped with a Declaration of Conformance to the MID. This document must not be lost as it is an essential document to allow the continued use of the dispenser.

MID dispensers can be identified by the typeplate which contains a reference to the MID certificate number as shown:-



CHECKING THE SEALS



It is the responsibility of the Installer to check that all required seals are present and correct prior to putting the dispenser into use. This includes seals on the pumping unit, meter, pulser and calculator. **Under no circumstances must any seals be disturbed or broken during installation.**

METER CALIBRATION

A calibration check should be performed during Commissioning (refer to section 6).

If a seal is damaged or missing, or if the calibration is outwith legal tolerances or in the unlikely event that any repair is required to a pumping unit, meter, pulser or calculator during installation, the factory MID verification is invalidated and a local National verification will need to be performed before the dispenser can be used.

CONTENTS

2 CLADDING & FRAMEWORK 2-2

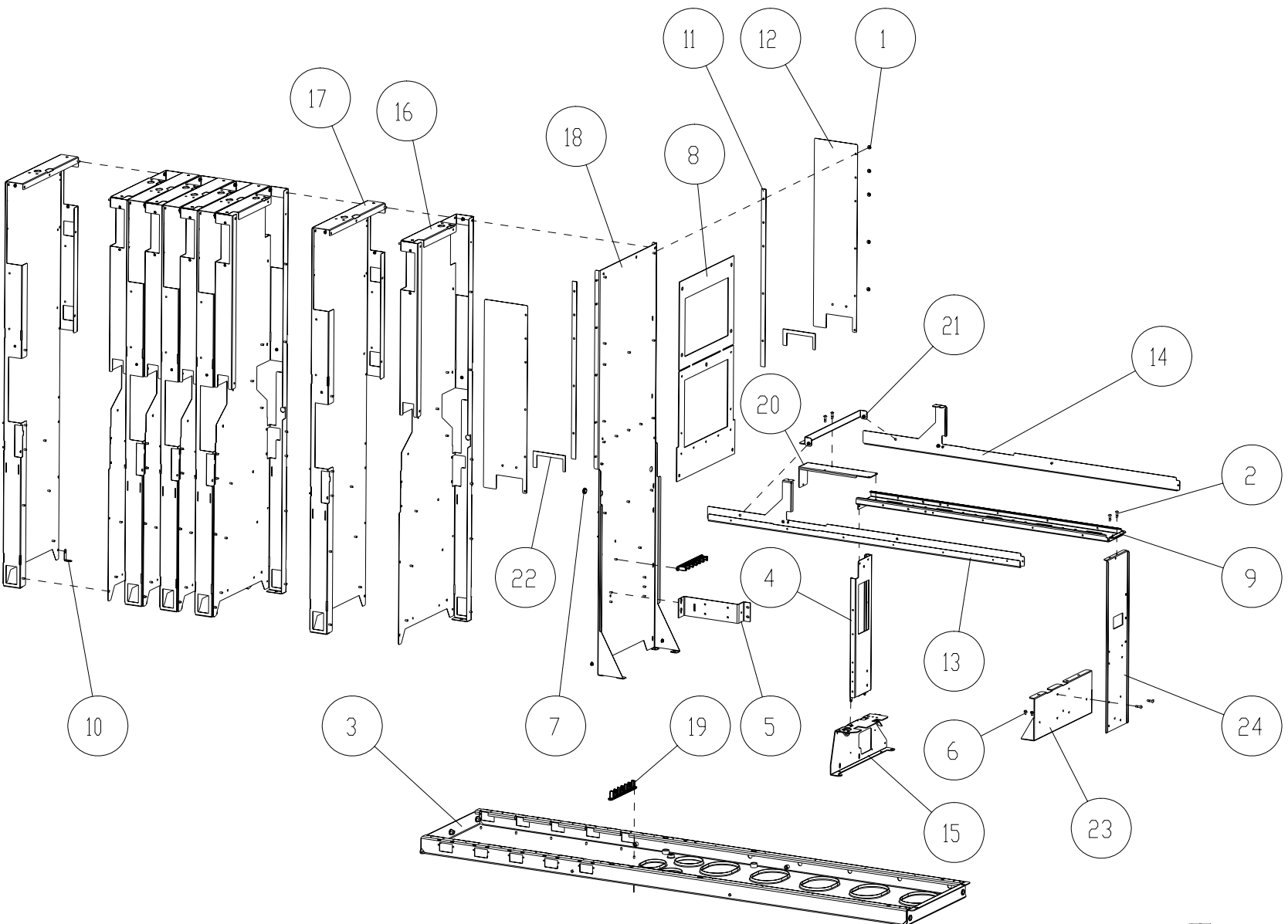
2.1 Frame Assembly 2-2

2.2 Cladding Assembly 2-6

2.3 VHS2M5-6 Frame & Cladding Assembly 2-16

2.4 Frame & Cladding Assembly with Wincor Integrated Payment Terminal 2-18

2.5 Lock Assembly 2-22

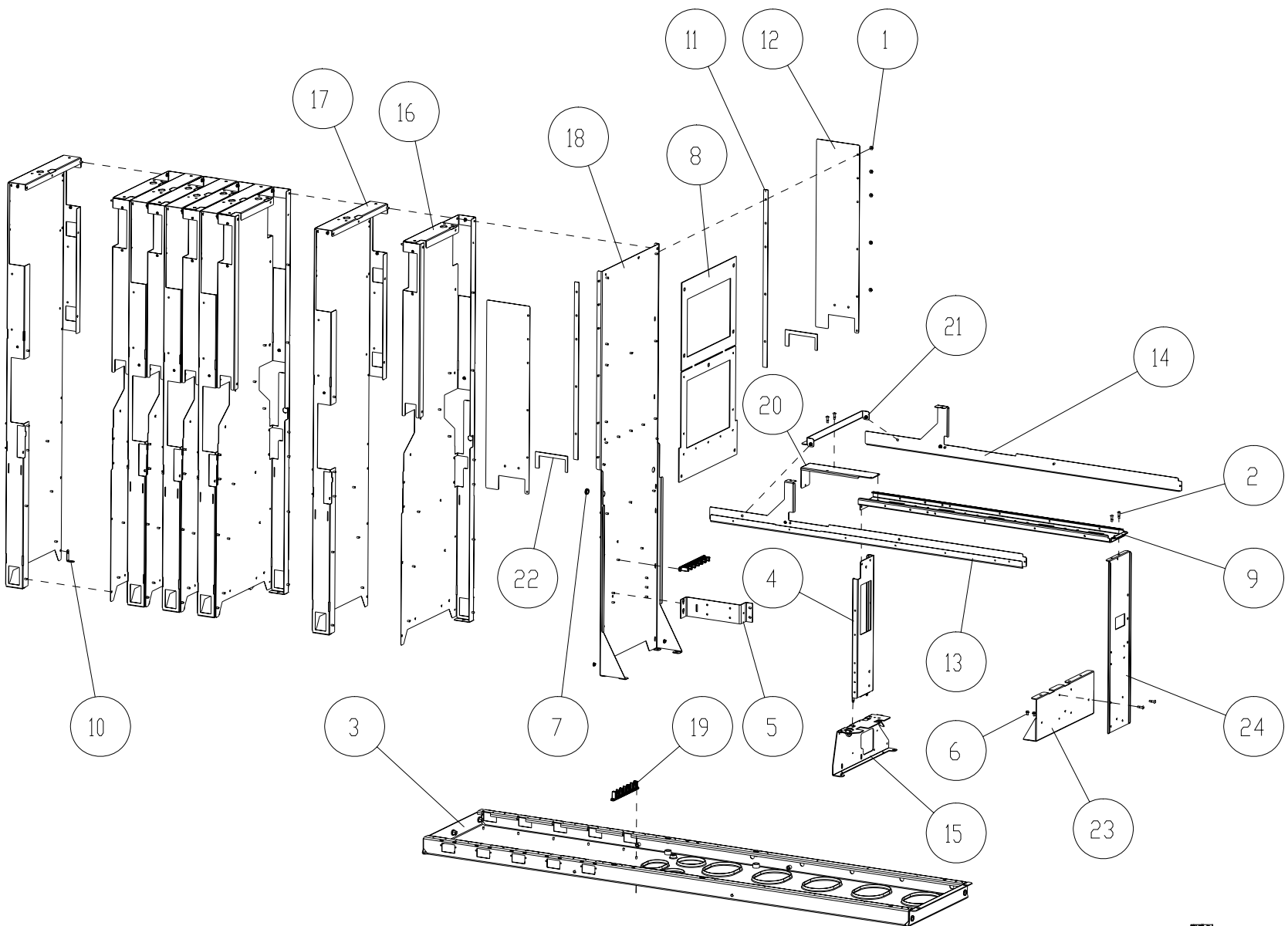


2 CLADDING & FRAMEWORK

2.1 Frame Assembly

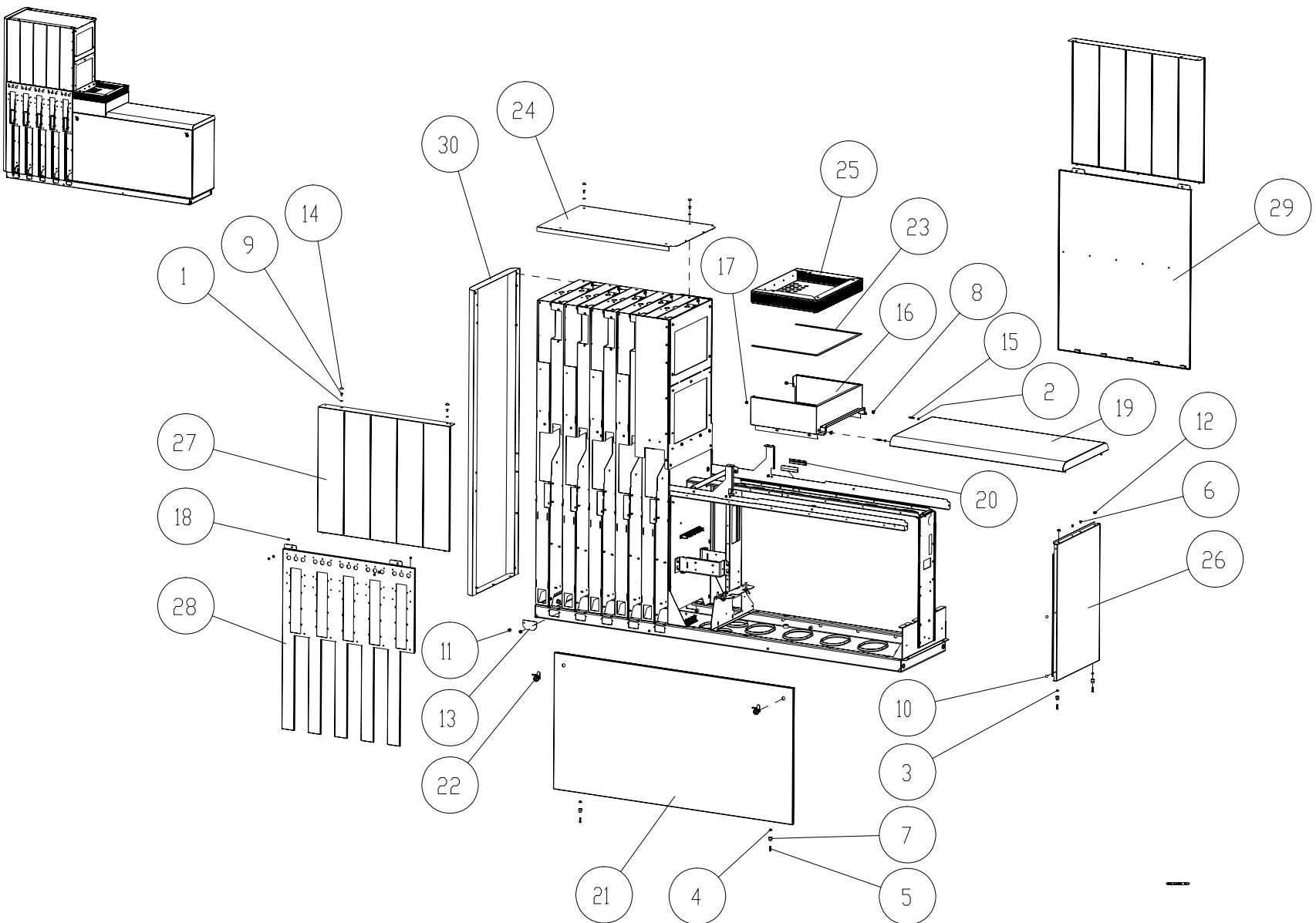
Item No	Description	Désignation Français	Part No	Comments
1	Nut Hex Self Lock M6	Ecrou Bride Autobloquant M6	900013-003	
2	Rivet Blind Domed 6.5x24.8	Rivet Pop Bomb 6.5x24.8	900025-002	
3	Drip tray 2F1C	Récupération égoutture 2F1C	900932	
	Drip tray 2F2C	Récupération égoutture 2F2C	900923	
	Drip tray 3F1C	Récupération égoutture 3F1C	908987	
	Drip tray 3F3C	Récupération égoutture 3F3C	900925	
	Drip tray 4F2C	Récupération égoutture 4F2C	904096	
	Drip tray 4F4C	Récupération égoutture 4F4C	900928	
	Drip tray 5F5C	Récupération égoutture 5F5C	908193	
4	Vertical Frame Hydr Opt Blk	Chassis Vertic Opt Hydr Block	900370	
5	Junction Box Bracket	Support Boite Connexion	900439	
	Junction Box Bracket	Support Boite Connexion	942413	5F models only
	Support Bracket for Junction Box	Support Boite Connexion Bas	942414	Used with 942413 only
6	Screw HFHTF M6x10	Vis Hex. Taraudeuse M6x10	900708-001	
7	Skiffy Bushing	Passe-fils Skiffy	901937-002	
8	Gasket Single Heqad / F Barrier	Joint Elect Boite / F Barrier	906287	
9	Horizontal Frame Hydraulic 5F	Châssis Horizont Hydr 5F	906292	
	Horizontal Frame Hydraulic 4F	Châssis Horizont Hydr 4F	906293	
	Horizontal Frame Hydraulic 3F	Châssis Horizont Hydr 3F	906294	
	Horizontal Frame Hydraulic 2F	Châssis Horizont Hydr 2F	906295	
10	Bracket End Column Support	Support Colonne de Fin	906498	
11	Gasket HMS Vapour Cover	Joint Couvercle pour HMS	906696	
12	HMS Vapour Cover NNB	Vourvercle pour HMS NNB	940952	
	HMS Vapour Cover NNB 1C	Vourvercle pour HMS NNB 1C	940951	

(Cont.)



2.1 Frame Assembly (Cont.)

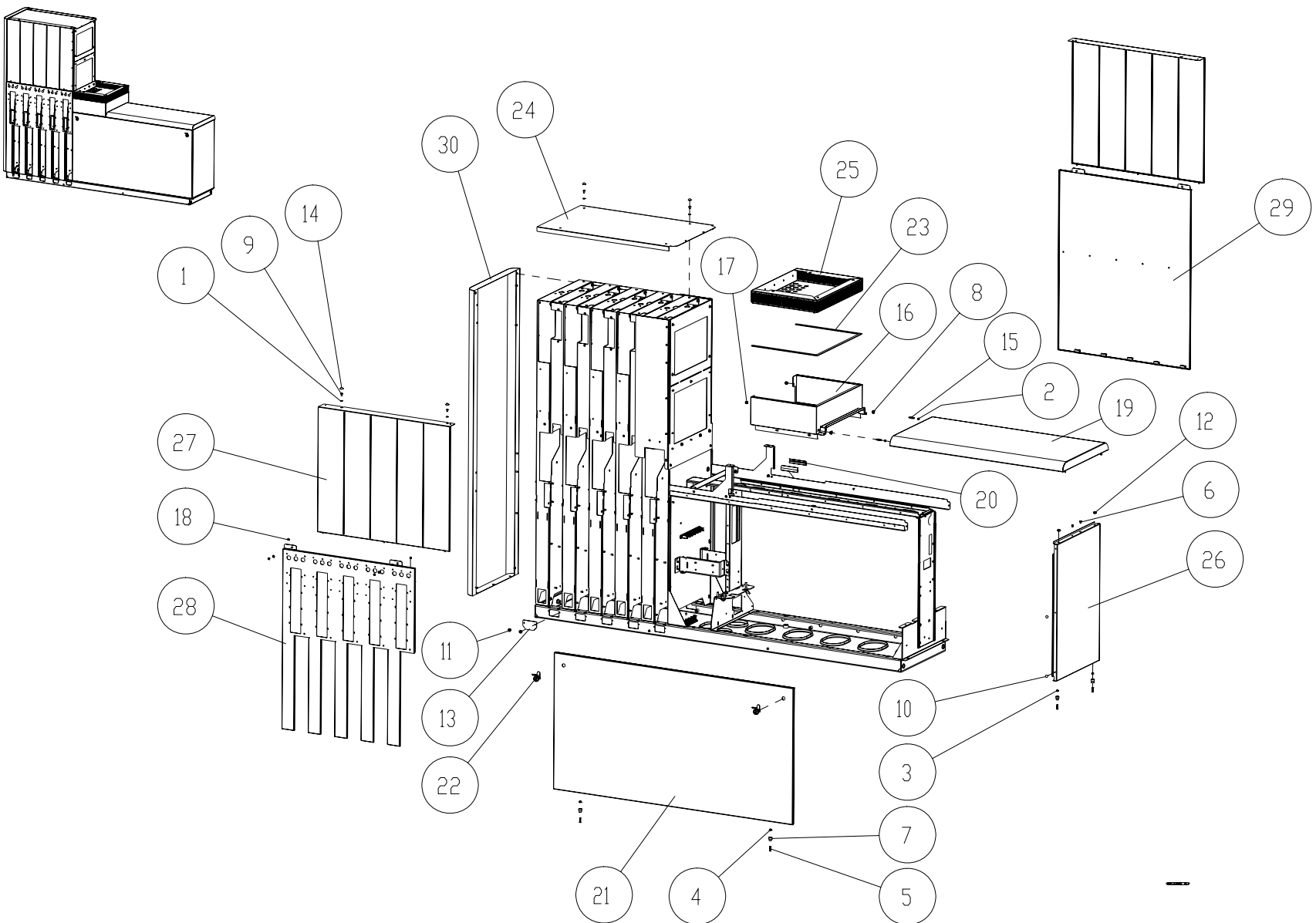
Item No	Description	Désignation Français	Part No	Comments
13	Gene rain gutter RHS 2F NNB	Gene gouttiere droite 2F NNB	942152	
	Gene rain gutter RHS 3F NNB	Gene gouttiere droite 3F NNB	942153	
	Gene rain gutter RHS 4F NNB	Gene gouttiere droite 4F NNB	942154	
	Gene rain gutter RHS 5F NNB	Gene gouttiere droite 5F NNB	942155	
14	Gene Rain Gutter LHS 2F NNB	Gene Gouttière Gauche 2F NNB	942160	
	Gene Rain Gutter LHS 3F NNB	Gene Gouttière Gauche 3F NNB	942161	
	Gene Rain Gutter LHS 4F NNB	Gene Gouttière Gauche 4F NNB	942162	
	Gene Rain Gutter LHS 5F NNB	Gene Gouttière Gauche 5F NNB	942163	
15	Pump Bracket Universal	Support Pompe Universal	942174	
16	HMS Frame Right Assy NNB	HMS Cadre Droit Asm NNB	943762	Refer to Hose Management Assy
17	HMS Frame Left Assy NNB	HMS Cadre Gauche Asm NNB	943765	Refer to Hose Management Assy
18	Fire Barrier NNB Assy	Ecran Feu NNB Asm	943771	
19	Mouled Comb for Pipes	Peigne Moule pour Tubes	943823	
20	Bracket Gutter Bottom	Support Gouttière Haut Asm	944044	
21	Bracket Gutter Top Assembly	Support Gouttière Haut Asm	944077	
22	Seal for Vapour Cover	Joint pour Couvercle Vapeur	944912	
23	Pump Support End	Support Pompe Extrémité	945554	
24	Vertical Frame Hydr End	Support Hydr Vertical Ext	945770	



2.2 Cladding Assembly

Item No	Description	Désignation Français	Part No	Comments
1	Washer PI M6	Rondelle PI M6	900008-002	
2	Nut Hex Prev Torque M5	Ecrou Frein M5	900012-002	
3	Nut Hex Prev Torque M6	Ecrou Frein M6	900012-003	
4	Nut Hex Self Lock M6	Ecrou Bride Autobloquant M6	900013-003	
5	Screw SCS M6x25	Vis FS M6x25	900014-002	
6	Washer Serr Lock Int M10	Rondelle a Dents DIC M10	900021-001	
7	Adjustment Pin	Broche de Reglage	900403	
8	Bearing Vertical Roller	Palier de Rouleau Vertical	900505	
9	Screw HSB M6x10	Vis M6x10	900795-005	
10	Drive Fastener D5/13.5 T3 NA	Att à pression D5/13.5 E3 NA	901058-001	
11	Rivet Screw	Rivet Vis	901371-001	
12	Skiffy Bushing	Passe-fils Skiffy	901937-003	
13	Cover Bracket Cover Bracket SST	Couvercle Couvercle Inox	902021 946340	Stainless Steel
14	Snap Cap White M6	Chapeau Vis Blanc M6	903192-001	
15	Adjustment Pin	Reglage Broche	903268	
16	VB Cladding Assembly VB Cladding Assembly SST VB Cladding Assembly ACP	BV Revetement Assemblee BV Revetement Assemblee Inox BV Revetement Assemblee ACP	906083 906209 907051	Stainless Steel Additional Corrosion Protection
17	Snap Bush	Coussinet a Cliper	906230	
18	Snap Bush for Ø3	Coussinet a Cliper Ø3	906230-002	
19	Topplate 5 Frame Assembly Topplate 5 Frame Assembly SST Topplate 5 Frame Assembly ACP Topplate 4 Frame Assembly Topplate 4 Frame Assembly SST Topplate 4 Frame Assembly ACP	Plaque Sup 5 Chassis Assembly Plaque Sup 5 Chassis Assembly Inox Plaque Sup 5 Chassis Assembly ACP Plaque Sup 4 Chassis Assembly Plaque Sup 4 Chassis Assembly Inox Plaque Sup 4 Chassis Assembly ACP	906301 906339 907352 906302 906340 907038	Stainless Steel Additional Corrosion Protection Stainless Steel Additional Corrosion Protection

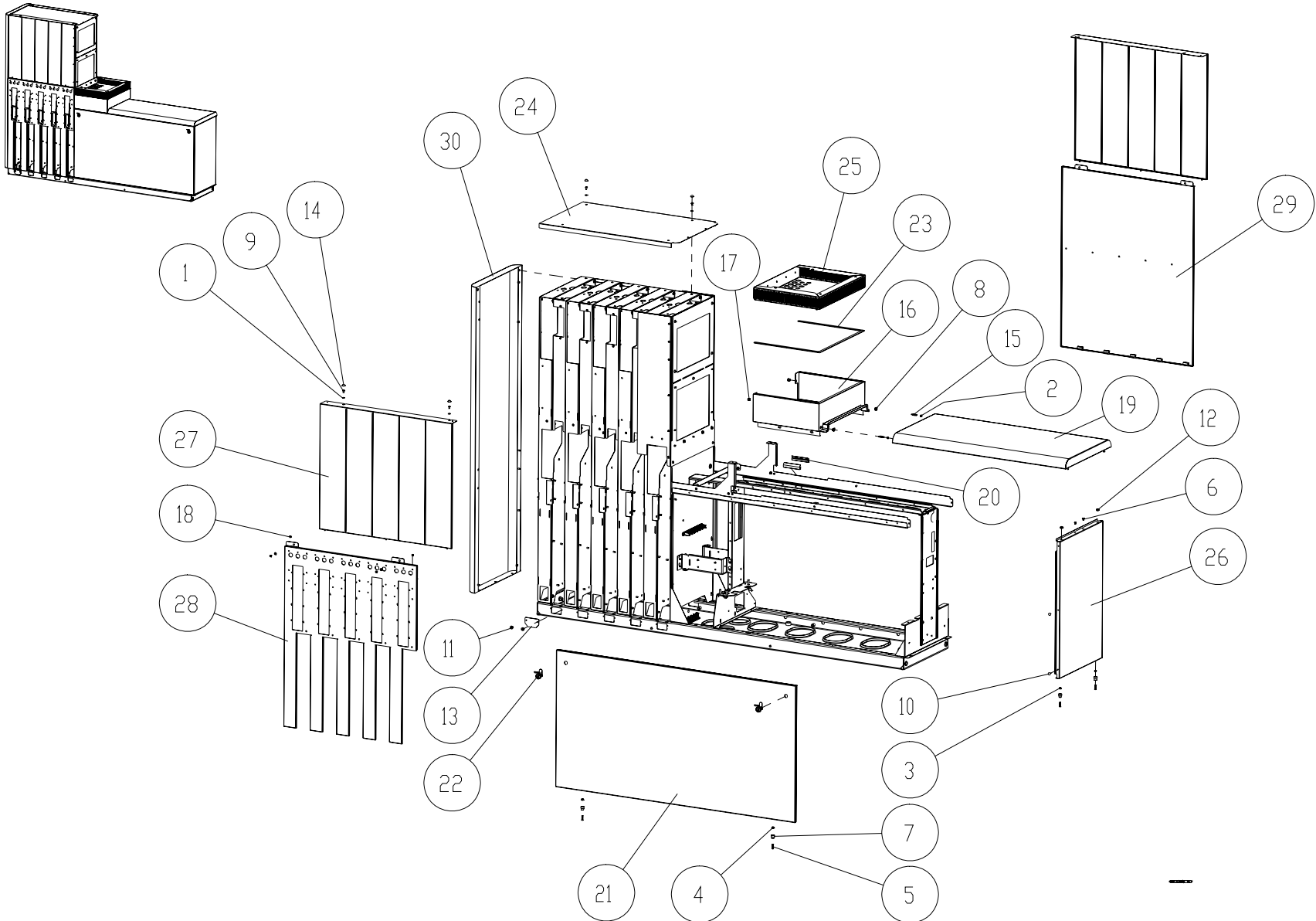
(Cont.)



2.2 Cladding Assembly (Cont.)

Item No	Description	Désignation Français	Part No	Comments
19	Topplate 3 Frame Assembly	Plaque Sup 3 Chassis Assembly	906303	
cont.	Topplate 3 Frame Assembly SST	Plaque Sup 3 Chassis Assembly Inox	906341	Stainless Steel
	Topplate 3 Frame Assembly ACP	Plaque Sup 3 Chassis Assembly ACP	907039	Additional Corrosion Protection
	Topplate 2 Frame Assembly	Plaque Sup 2 Chassis Assembly	906304	
	Topplate 2 Frame Assembly SST	Plaque Sup 2 Chassis Assembly Inox	906342	Stainless Steel
	Topplate 2 Frame Assembly ACP	Plaque Sup 2 Chassis Assembly ACP	907040	Additional Corrosion Protection
20	Gasket Rain Gutter 0.2M	Gouttiere de Pluie Garniture 0.2M	907128	For outer ridge of rain gutter only
	Gasket Rain Gutter 0.12M	Gouttiere de Pluie Garniture 0.12M	907128	For inner ridge of rain gutter only
21	Hydraulic Door 2F Assy	Porte Hydraulique 2F Assy	941903	
	Hydraulic Door 3F Assy	Porte Hydraulique 3F Assy	941904	
	Hydraulic Door 4F Assy	Porte Hydraulique 4F Assy	941905	
	Hydraulic Door 5F Assy	Porte Hydraulique 5F Assy	941906	
	Hydraulic Door 2F Assy SST	Porte Hydraulique 2F Assy Inox	907351	Stainless Steel
	Hydraulic Door 3F Assy SST	Porte Hydraulique 3F Assy Inox	907350	Stainless Steel
	Hydraulic Door 4F Assy SST	Porte Hydraulique 4F Assy Inox	907349	Stainless Steel
	Hydraulic Door 5F Assy SST	Porte Hydraulique 5F Assy Inox	907348	Stainless Steel
	Hydraulic Door 2F Assy ACP	Porte Hydraulique 2F Assy ACP	907355	Additional Corrosion Protection
	Hydraulic Door 3F Assy ACP	Porte Hydraulique 3F Assy ACP	907354	Additional Corrosion Protection
	Hydraulic Door 4F Assy ACP	Porte Hydraulique 4F Assy ACP	907353	Additional Corrosion Protection
	Hydraulic Door 5F Assy ACP	Porte Hydraulique 5F Assy ACP	907352	Additional Corrosion Protection
22	Lock Cam Hydraulic Door	Came de Serrure Porte Hydraulic	907495	
23	Seal Assembly VB Cladding	Revetement de Assy de Joint VB	907742	
24	HMS Roof Panel 1C	HMS Panneau de Toit 1C	905926	
	HMS Roof Panel 2C	HMS Panneau de Toit 2C	905925	
	HMS Roof Panel 3C	HMS Panneau de Toit 3C	905924	
	HMS Roof Panel 4C	HMS Panneau de Toit 4C	905923	
	HMS Roof Panel 5C	HMS Panneau de Toit 5C	908211	
	HMS Roof Panel 1C ACP	HMS Panneau de Toit 1C ACP	907096	Additional Corrosion Protection

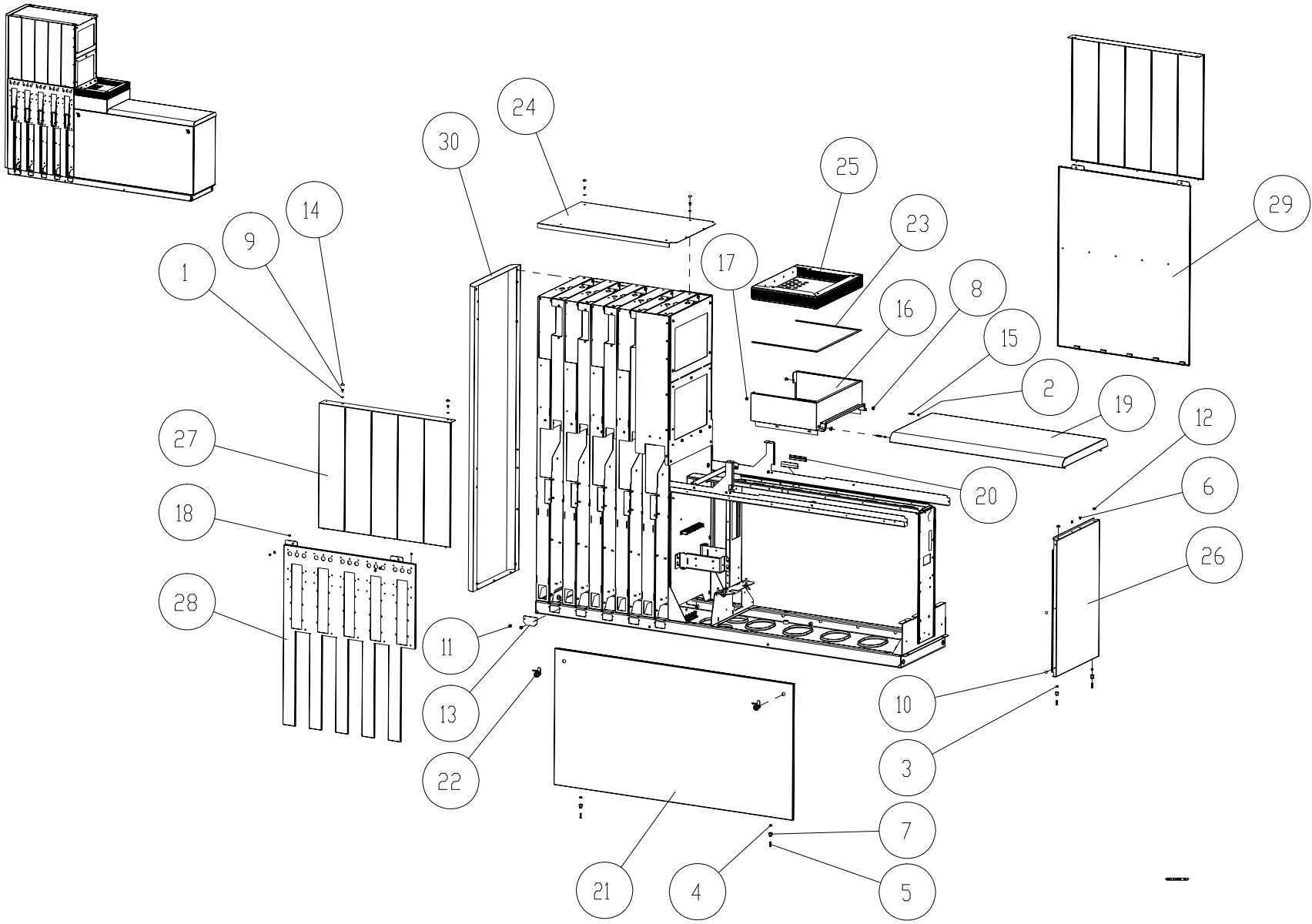
(Cont.)



2.2 Cladding Assembly (Cont.)

Item No	Description	Désignation Français	Part No	Comments
24 cont.	HMS Roof Panel 2C ACP	HMS Panneau de Toit 2C ACP	907095	Additional Corrosion Protection
	HMS Roof Panel 3C ACP	HMS Panneau de Toit 3C ACP	907094	Additional Corrosion Protection
	HMS Roof Panel 4C ACP	HMS Panneau de Toit 4C ACP	907093	Additional Corrosion Protection
25	Air Gap Asm SS	Air Gap Asm Inox	909755	Stainless Steel
	Air Gap Asm ACP	Air Gap Asm ACP	940143	Additional Corrosion Protection
26	Hydraulic End Panel	Panneau Fin Hydraulique	906119	
	Hydraulic End Panel SST	Panneau Fin Hydraulique Inox	906207	Stainless Steel
	Hydraulic End Panel ACP	Panneau Fin Hydraulique ACP	907050	Additional Corrosion Protection
	Hydraulic End Panel RH Gauge	Panneau Fin Hydraulique Mano a Droite	942070	
	Hydraulic End Panel RH Gauge SST	Panneau Fin Hyd. Mano a Droite Inox	942073	Stainless Steel
	Hydraulic End Panel RH Gauge ACP	Panneau Fin Hyd. Mano a Droite ACP	942076	Additional Corrosion Protection
	Hydraulic End Panel LH Gauge	Panneau Fin Hydraulique Mano a Gauche	942071	
	Hydraulic End Panel LH Gauge SST	Panneau Fin Hyd. Mano a Gauche Inox	942074	Stainless Steel
	Hydraulic End Panel LH Gauge ACP	Panneau Fin Hyd. Mano a Gauche ACP	942077	Additional Corrosion Protection
	Hydraulic End Panel 2 Gauges	Panneau Fin Hydraulique Double Mano	942072	
	Hydraulic End Panel 2 Gauges SST	Panneau Fin Hyd. Double Mano Inox	942075	Stainless Steel
Hydraulic End Panel 2 Gauges ACP	Panneau Fin Hyd. Double Mano ACP	942078	Additional Corrosion Protection	
27	Upper Panel NNB 1C	Panneau Inf. NNB 1C	942292	
	Upper Panel NNB 2C	Panneau Inf. NNB 1C	942293	
	Upper Panel NNB 3C	Panneau Inf. NNB 1C	942294	
	Upper Panel NNB 4C	Panneau Inf. NNB 1C	942295	
	Upper Panel NNB 5C	Panneau Inf. NNB 1C	942296	
	Upper Panel NNB 1C SST	Panneau Inf. NNB 1C Inox	942297	Stainless Steel
	Upper Panel NNB 2C SST	Panneau Inf. NNB 2C Inox	942298	Stainless Steel
	Upper Panel NNB 3C SST	Panneau Inf. NNB 3C Inox	942299	Stainless Steel
	Upper Panel NNB 4C SST	Panneau Inf. NNB 4C Inox	942300	Stainless Steel
	Upper Panel NNB 5C SST	Panneau Inf. NNB 5C Inox	942301	Stainless Steel

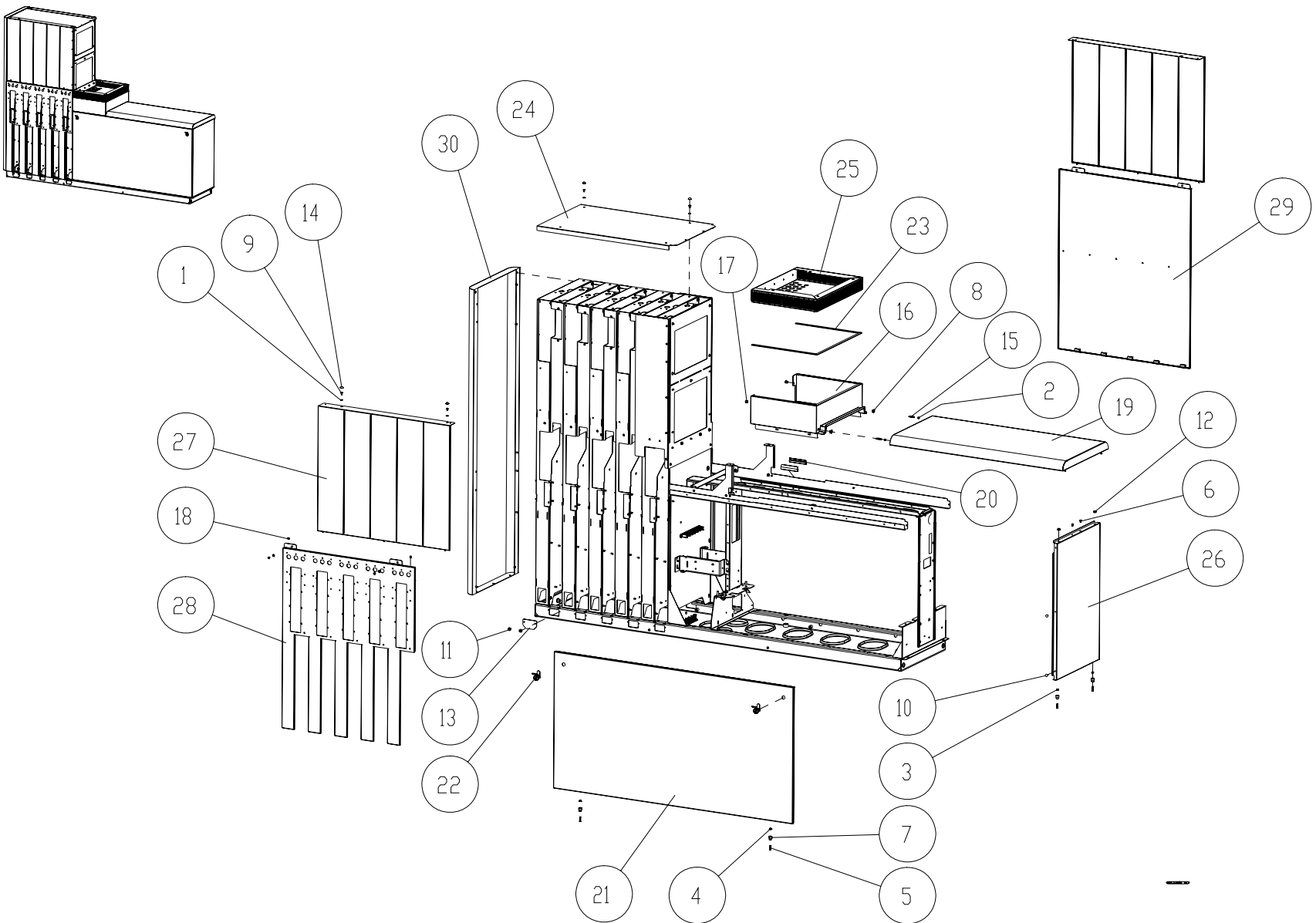
(Cont.)



2.2 Cladding Assembly (Cont.)

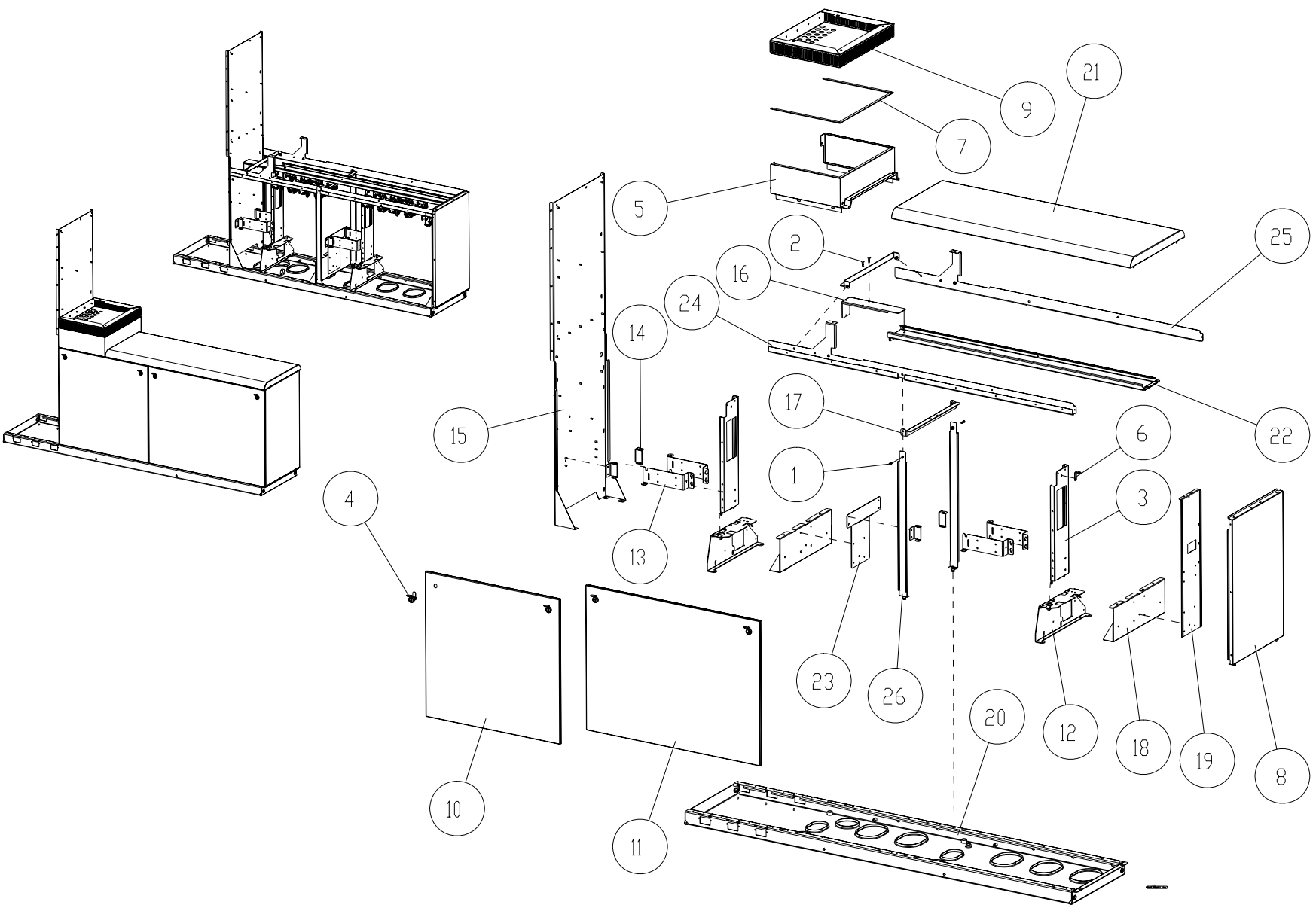
Item No	Description	Désignation Français	Part No	Comments
27 cont.	Upper Panel NNB 1C ACP	Panneau Inf. NNB 1C ACP	942302	Additional Corrosion Protection
	Upper Panel NNB 2C ACP	Panneau Inf. NNB 2C ACP	942303	Additional Corrosion Protection
	Upper Panel NNB 3C ACP	Panneau Inf. NNB 3C ACP	942304	Additional Corrosion Protection
	Upper Panel NNB 4C ACP	Panneau Inf. NNB 4C ACP	942305	Additional Corrosion Protection
	Upper Panel NNB 5C ACP	Panneau Inf. NNB 5C ACP	942306	Additional Corrosion Protection
28	NNB Lower Panel 1C	Panneau Inf. NNB 1C	943636	
	NNB Lower Panel 2C	Panneau Inf. NNB 2C	943637	
	NNB Lower Panel 3C	Panneau Inf. NNB 3C	943638	
	NNB Lower Panel 4C	Panneau Inf. NNB 4C	943639	
	NNB Lower Panel 5C	Panneau Inf. NNB 5C	943640	
	NNB Lower Panel 1C SST	Panneau Inf. NNB 1C Inox	643641	Stainless Steel
	NNB Lower Panel 2C SST	Panneau Inf. NNB 2C Inox	943642	Stainless Steel
	NNB Lower Panel 3C SST	Panneau Inf. NNB 3C Inox	943643	Stainless Steel
	NNB Lower Panel 4C SST	Panneau Inf. NNB 4C Inox	943644	Stainless Steel
	NNB Lower Panel 5C SST	Panneau Inf. NNB 5C Inox	943645	Stainless Steel
	NNB Lower Panel 1C ACP	Panneau Inf. NNB 1C ACP	943646	Additional Corrosion Protection
	NNB Lower Panel 2C ACP	Panneau Inf. NNB 2C ACP	943647	Additional Corrosion Protection
	NNB Lower Panel 3C ACP	Panneau Inf. NNB 3C ACP	943648	Additional Corrosion Protection
	NNB Lower Panel 4C ACP	Panneau Inf. NNB 4C ACP	943649	Additional Corrosion Protection
	NNB Lower Panel 5C ACP	Panneau Inf. NNB 5C ACP	943650	Additional Corrosion Protection
29	NNB Lower Panel 1C Blind	Pann. Inf. NNB 1C Aveugle	943651	
	NNB Lower Panel 2C Blind	Pann. Inf. NNB 2C Aveugle	943652	
	NNB Lower Panel 3C Blind	Pann. Inf. NNB 3C Aveugle	943653	
	NNB Lower Panel 4C Blind	Pann. Inf. NNB 4C Aveugle	943654	
	NNB Lower Panel 5C Blind	Pann. Inf. NNB 5C Aveugle	943655	
	NNB Lower Panel 1C Blind SST	Pann. Inf. NNB 1C Aveugle Inox	943656	Stainless Steel
	NNB Lower Panel 2C Blind SST	Pann. Inf. NNB 2C Aveugle Inox	943657	Stainless Steel

(Cont.)



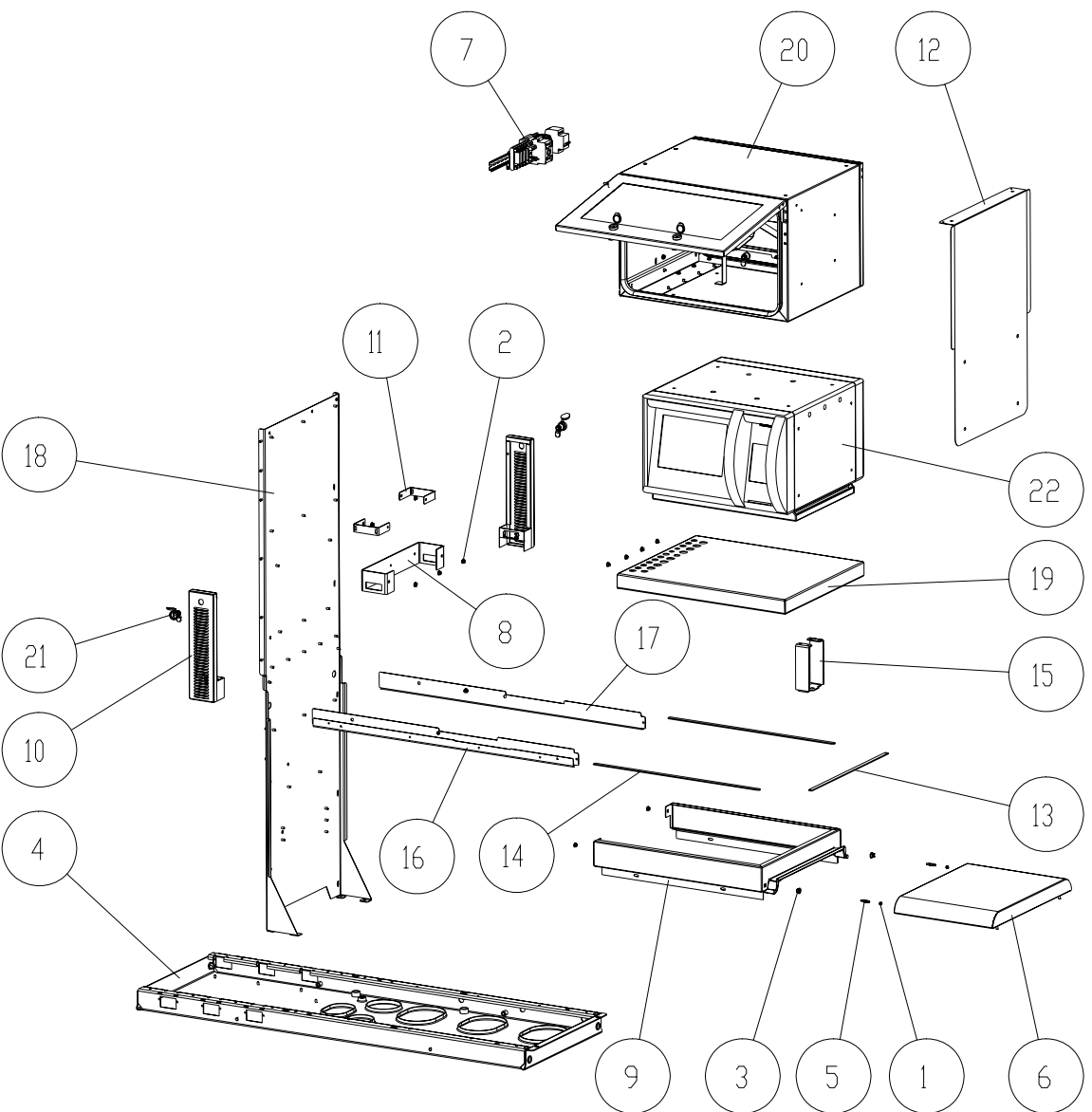
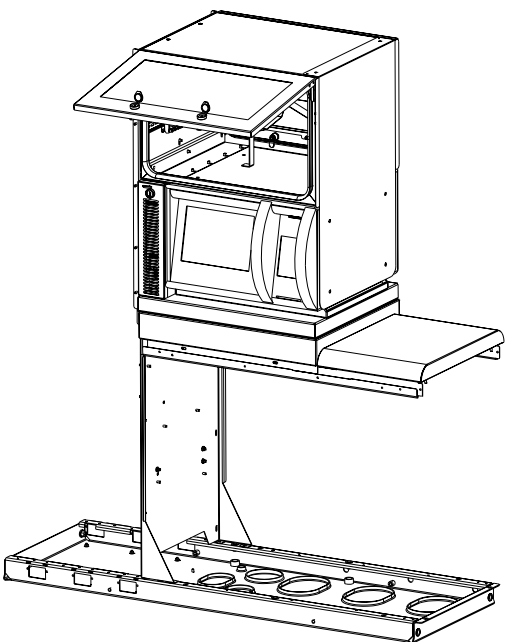
2.2 Cladding Assembly (Cont.)

Item No	Description	Désignation Français	Part No	Comments
29 cont.	NNB Lower Panel 3C Blind SST	Pann. Inf. NNB 3C Aveugle Inox	943658	Stainless Steel
	NNB Lower Panel 4C Blind SST	Pann. Inf. NNB 4C Aveugle Inox	943659	Stainless Steel
	NNB Lower Panel 5C Blind SST	Pann. Inf. NNB 5C Aveugle Inox	943660	Stainless Steel
	NNB Lower Panel 1C Blind ACP	Pann. Inf. NNB 1C Aveugle ACP	943661	Additional Corrosion Protection
	NNB Lower Panel 2C Blind ACP	Pann. Inf. NNB 2C Aveugle ACP	943662	Additional Corrosion Protection
	NNB Lower Panel 3C Blind ACP	Pann. Inf. NNB 3C Aveugle ACP	943663	Additional Corrosion Protection
	NNB Lower Panel 4C Blind ACP	Pann. Inf. NNB 4C Aveugle ACP	943664	Additional Corrosion Protection
	NNB Lower Panel 5C Blind ACP	Pann. Inf. NNB 5C Aveugle ACP	943665	Additional Corrosion Protection
30	NNB End Column Assy	Colonne de Fin Asm NNB	943777	
	NNB End Column Assy SST	Colonne de Fin Asm NNB Inox	943778	Stainless Steel
	NNB End Column Assy ACP	Colonne de Fin Asm NNB ACP	943779	Additional Corrosion Protection



2.3 VHS2M5-6 Frame & Cladding Assembly

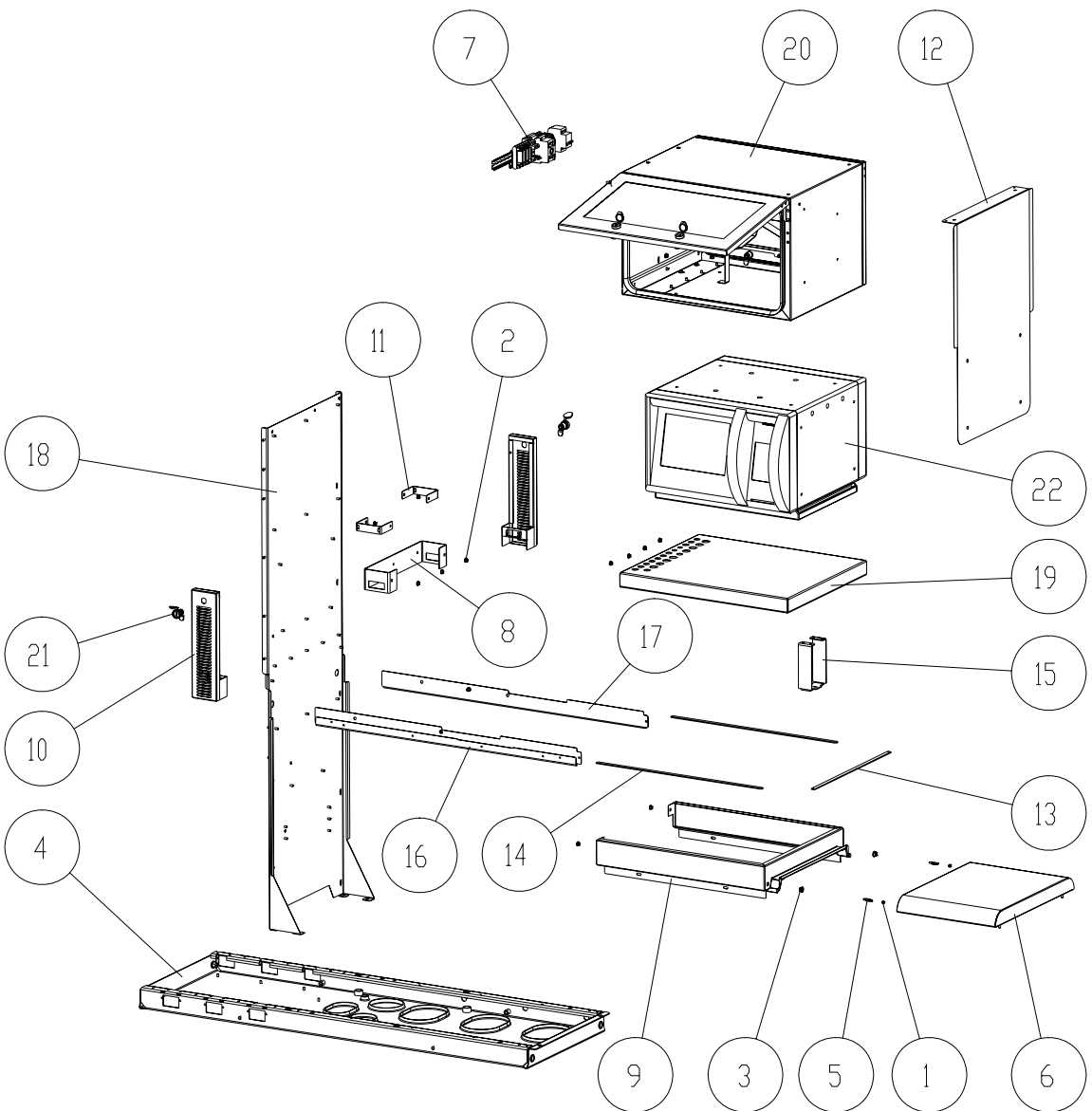
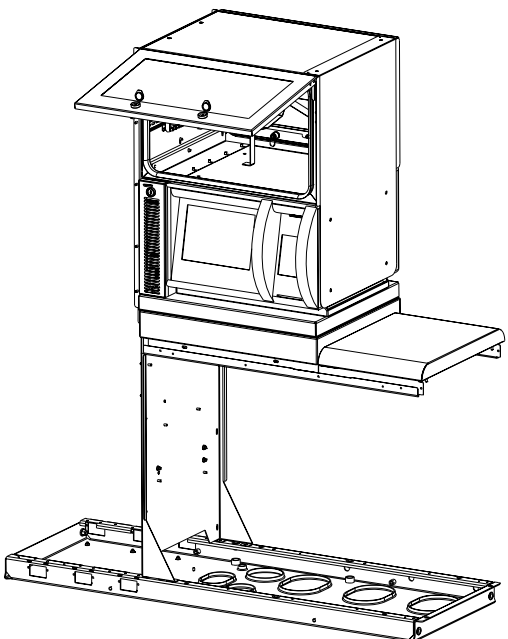
Item No	Description	Désignation Français	Part No	Comments
1	Screw SCS M6x25	Vis FS M6x25	900014-002	
2	Rivet Blind Domed 6.5x24.8	Rivet Pop Bomb 6.5x24.8	900025-002	
3	Vertical Frame Hydr Opt Blk	Chassis Vertic Opt Hydr Block	900370	
4	Lock Assembly	Serrure Asm	-	Refer to Lock assembly
5	VB Cladding Assembly	BV Revetement Assemblee	906083	
6	Bracket End Column Support	Support Colonne de Fin	906498	
7	Seal Assembly VB Cladding	Revetement De Assy De Joint VB	907742	
8	Hydraulic End Panel	Panel Fin Hydraulique	906119	
	Hydraulic End Panel SST	Panel Fin Hydraulique Inox	906207	Stainless Steel
	Hydraulic End Panel ACP	Panel Fin Hydraulique ACP	907050	Additional Corrosion Protection
9	Air Gap Asm SST (no Valvebox)	Air Gap Asm Inox (Sans cage de Soup)	909755	Stainless Steel
	Air Gap Asm ACP (no Valvebox)	Air Gap Asm ACP (Sans cage de Soup)	940143	Additional Corrosion Protection
10	Hydraulic Door 2F	Porte Hydraulique 2F	941903	
11	Hydraulic Door 3F	Porte Hydraulique 3F	941904	
12	Pump Bracket Universal	Support Pompe Universal	942174	
13	Support Junction Box	Sup Boîte Connexion	942413	
14	Support Junction Box Bottom	Support Boîte Connexion Bas	942414	
15	Fire Barrier NNB Assy	Ecran Feu NNB Asm	943771	
16	Bracket Gutter Bottom	Support Gouttière Bas	944044	
17	Bracket Gutter Top Assy	Support Gouttière Haut Asm	944077	
18	Pump Support End	Support Pompe Extrémité	945554	
19	Vertical Frame Hydr End	Support Hydr Vertical Ext	945770	
20	Q510ES Drip tray 5F3C	Q510ES Recup egoutture 5F3C	946227	
21	Topplate Std Assy VHS2M5-6	Capot Std Asm VHS2M5-6	946235	
22	Horizontal Frame Hydr VHS2M5-6	Support Horizont Hydr VHS2M5-6	946238	
23	Vertical Frame Hydr Middle	Support Hydr Vertical Milieu	946239	
24	Rain Gutter RHS Assy VHS2M5-6	Gouttiere Droite Asm VHS2M5-6	946240	
25	Rain Gutter LHS Assy VHS2M5-6	Gouttiere Gauche Asm VHS2M5-6	946242	
26	Vertical Rain Gutter Assy	Gouttiere Verticale Asm	946255	



2.4 Frame & Cladding Assembly with Wincor Integrated Payment Terminal

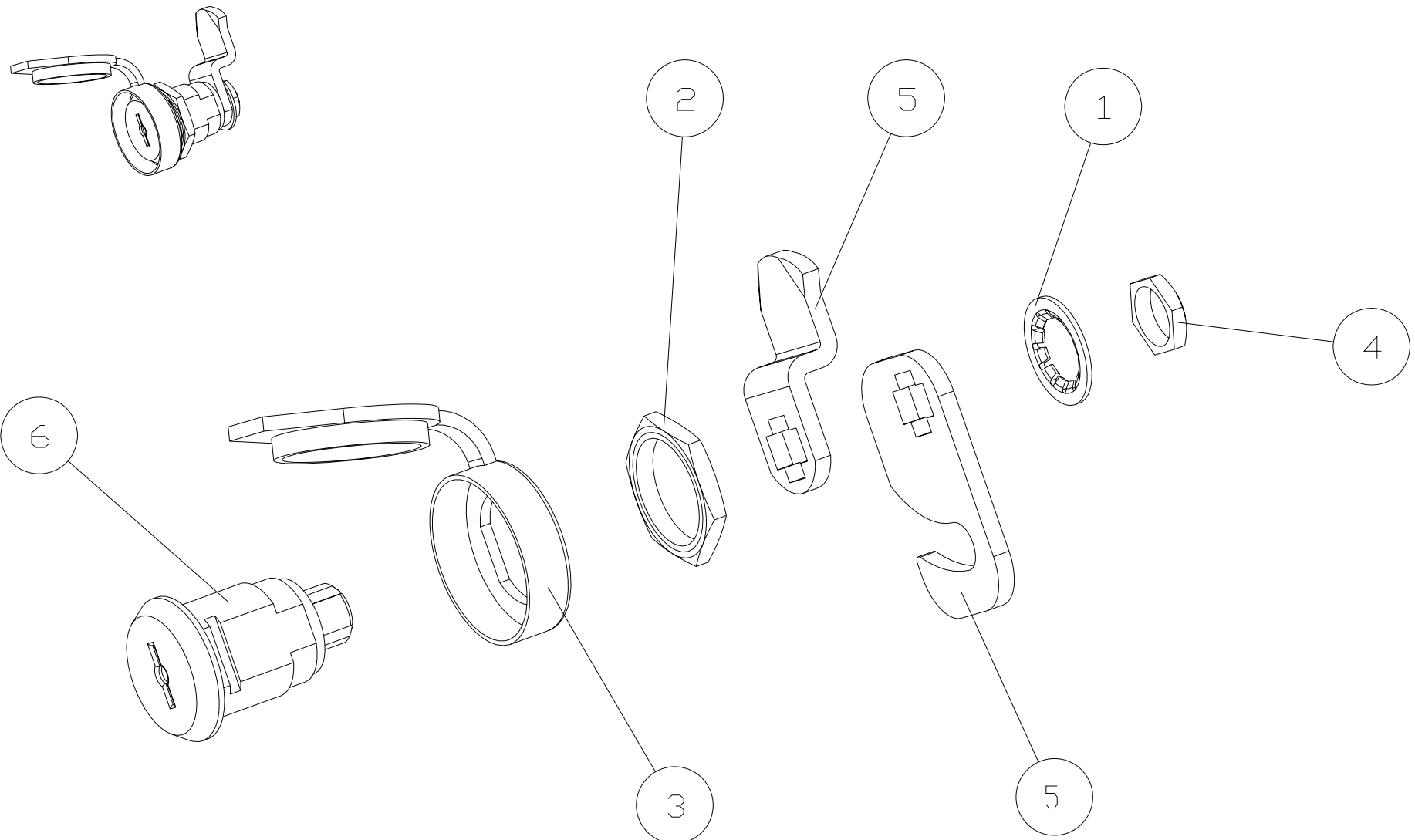
Item No	Description	Désignation Français	Part No	Comments
1	Nut Hex Prev Torque M5	Ecrou Frein M5	900012-002	
2	Nut Hex Self Lock M6	Ecrou Bride Autobloquant M6	900013-003	
3	Bearing Vertical Roller	Palier de Rouleau Vertical	900505	
4	Q500T Drip tray 3F3C	Récupération Egoutture 3F3C	900925	
	Q500T Drip tray 4F4C	Récupération Egoutture 4F4C	900928	
	Q500T Drip tray 5F5C	Récupération Egoutture 5F5C	908193	
5	Adjustment Pin	Réglage Broche	903268	
6	Topplate 2F Assembly Wafer	Plaque Sup 2 Ch Assembly Wafer	906342	
	Topplate 3F Assembly Wafer	Plaque Sup 3 Ch Assembly Wafer	906341	
	Topplate 4F Assembly Wafer	Plaque Sup 4 Ch Assembly Wafer	906340	
7	Wincor Mains Rail Assembly	Wincor Mains Rail Assembly	-	Refer to Wincor Mains Rail Asm
8	Support Bracket Fire Barrier	Support de Ecran Feu Wincor	908129	
9	VB Cladding Assembly Wincor	BV Revêtement Assemblée Wincor	908136	
	VB Cladding Assembly Wincor ACP	BV Revêtement Assemblée Wincor ACP	908182	Additional Corrosion Protection
	VB Cladding Assembly Wincor SST	BV Revêtement Assemblée Wincor Inox	908138	Stainless Steel
10	Side Panel Wincor	Panneau Lateral Wincor	908139	
11	Side Panel Wincor Bracket	Panneau Lateral Parenthèse Wincor	908143	
12	Panel Front Calc Wincor SST	Pann Avant Calc Wincor Inox	908156	Stainless Steel
	Panel Front Calc Wincor ACP	Pann Avant Calc Wincor ACP	908157	Additional Corrosion Protection
13	Seal Long VB Cladding Wincor	Joint Long De Revêtement VB Wincor	908217	
14	Seal Short VB Cladding Wincor	Joint Short Revêtement VB Wincor	908218	
15	Wincor Bracket Drilled	Support Wincor Percé	940410	
16	Rain Gutter RHS 2F Wincor	Gouttiere Droite 2F Wincor	944106	
	Rain Gutter RHS 3F Wincor	Gouttiere Droite 3F Wincor	942156	
	Rain Gutter RHS 4F Wincor	Gouttiere Droite 4F Wincor	942157	
	Rain Gutter RHS 5F Wincor	Gouttiere Droite 5F Wincor	942158	

(Cont.)



2.4 Frame & Cladding Assembly with Wincor Integrated Payment Terminal (Cont.)

Item No	Description	Désignation Français	Part No	Comments
17	Rain Gutter LHS 2F Wincor	Gouttiere Gauche 2F Wincor	944104	
	Rain Gutter LHS 3F Wincor	Gouttiere Gauche 3F Wincor	942164	
	Rain Gutter LHS 4F Wincor	Gouttiere Gauche 4F Wincor	942165	
	Rain Gutter LHS 5F Wincor	Gouttiere Gauche 5F Wincor	942166	
18	Fire Barrier NNB for Wincor	Ecran Feu NNB pour Wincor	943773	
19	VB Wincor SSt assy with Studs	BV Wincor SSt asm avec Goujons	944156	
20	Calculator Head Assy	Tete Calc Equipee Asm	-	Refer to Wincor Calc Head Asm
21	Lock Assembly	Serrure Porte Asm	-	Refer to Lock Assembly
22	Wincor	Wincor	P815186	



2.5 Lock Assembly

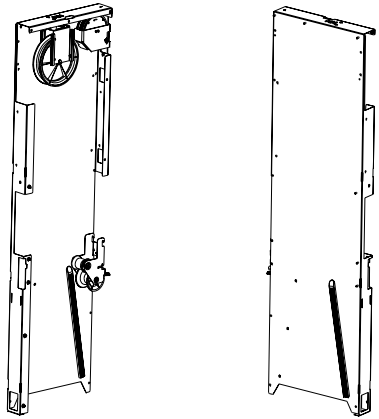
Item No	Description	Désignation Français	Part No	Comments
1	Washer Serr Lock Int M10	Rondelle a Dents DIC M10	900021-001	
2	Nut Hex 3/4 - 24 UNS	Ecrou Hex 3/4 - 24 UNS	900041-001	
3	Cap SOUTHCO 90-2 (Cover)	Bouchon SOUTHCO 90-2 (Chapeau)	900042	
4	Nut Hex M10 x 1.00 For Lock	Ecrou M10 x 1.00 Pour Serrures	900043-001	
5	Cam - Lock	Came de serrure	900181	Q100T&200T WWC Calc Head; Q300T/Q300T1 Dispenser; Q400T Calc Doors
	Lock Cam Calc Door	Came de serrure porte calc	900985	Q500T&500T1 Calc Head; Q100T Cecli2 Head
	Lock Cam DIT Door	Came de serrure porte DIT	900986	Q500T&500T1 DIT & Vidium Doors; Q100T&200T Hydraulic Doors; Q400T DIT & Hydraulic doors; AdB dispensers; Q410 dispensers
	Lock Cam Top Cover	Came de serrure top	900978	Q500T Hydraulic top cover only
	Lock Cam Hydr Door	Came de serrure porte hydr	907495	Q500T1 Hydrualic door only
6	Lock	Serrure	900389	

This page is intentionally blank

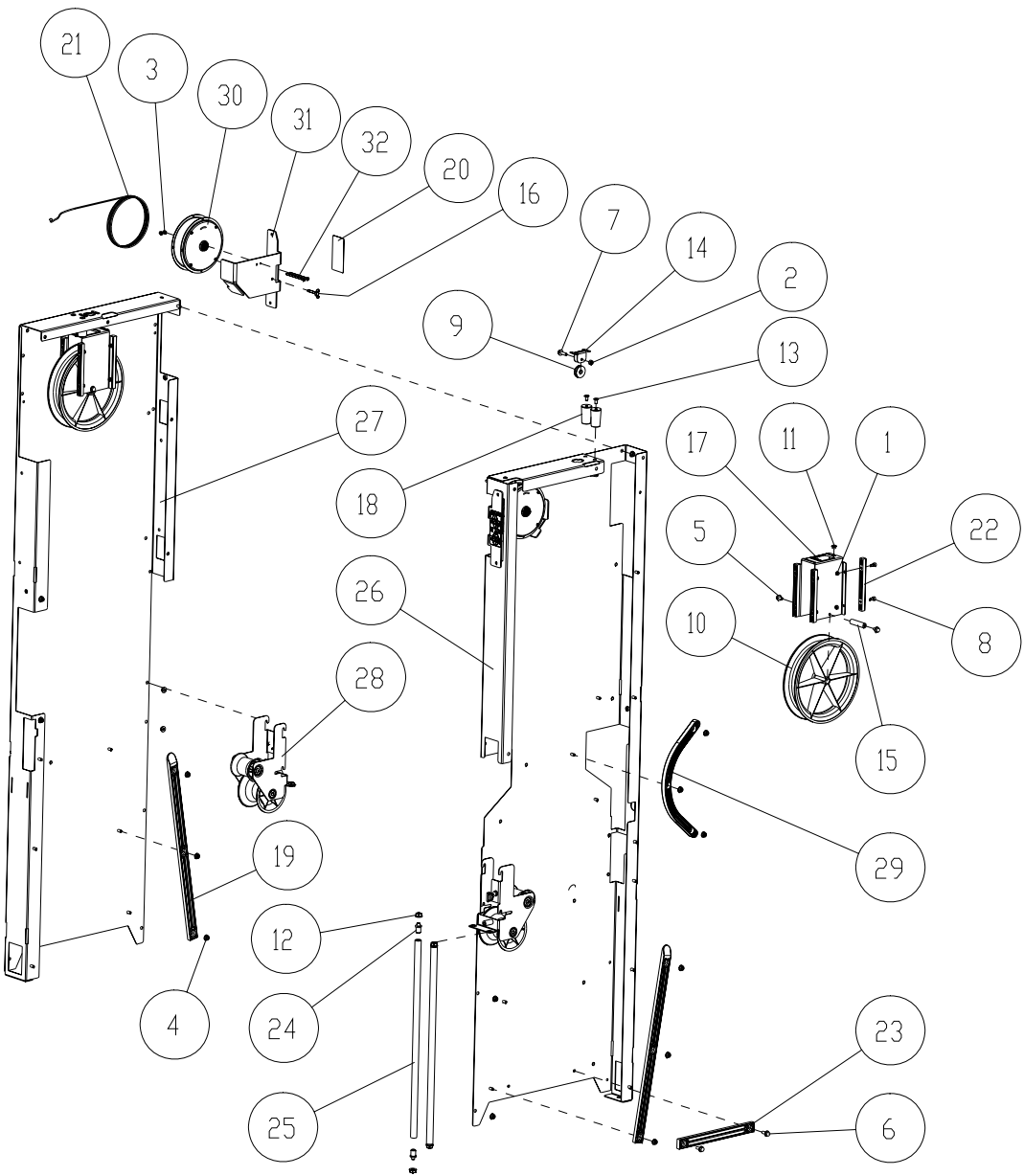
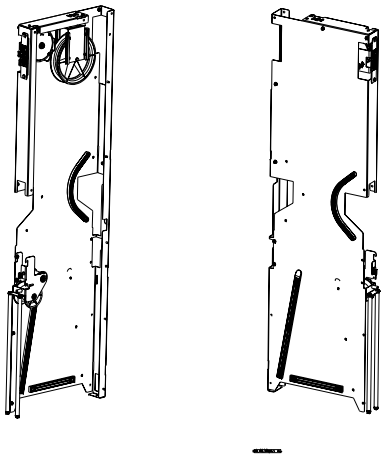
CONTENTS

3.1	Hose Management Assembly	3-2
3.1.1	Wheel Roller Bracket Assembly	3-6
3.2	Nozzle Panel Assembly	3-8
3.3	Hoses	3-10
3.3.1	417cm Length	3-10
3.4	Nozzles	3-11
3.4.1	Elaflex ZVA2 Nozzles (Non-Secure)	3-11
3.4.2	Elaflex ZVA25 Nozzles (Non-Secure)	3-13
3.4.3	OPW Nozzles	3-13
3.5	Nozzle Extras	3-14
3.5.1	Nozzle Covers	3-14
3.5.2	Sleeves	3-15
3.5.3	ZVA2 Product Indication Sleeve	3-15
3.5.4	ZVA2 Splashguards	3-16
3.5.5	Sleeve Breaks	3-17
3.5.6	Break Couplings	3-17

Left HMS Assembly



Right HMS Assembly

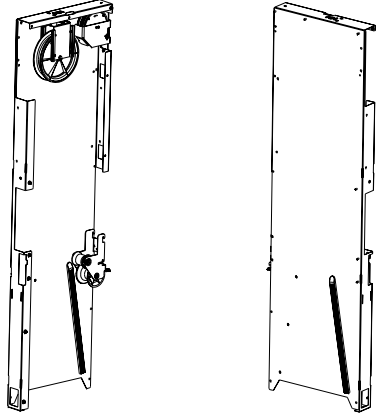


3.1 Hose Management Assembly

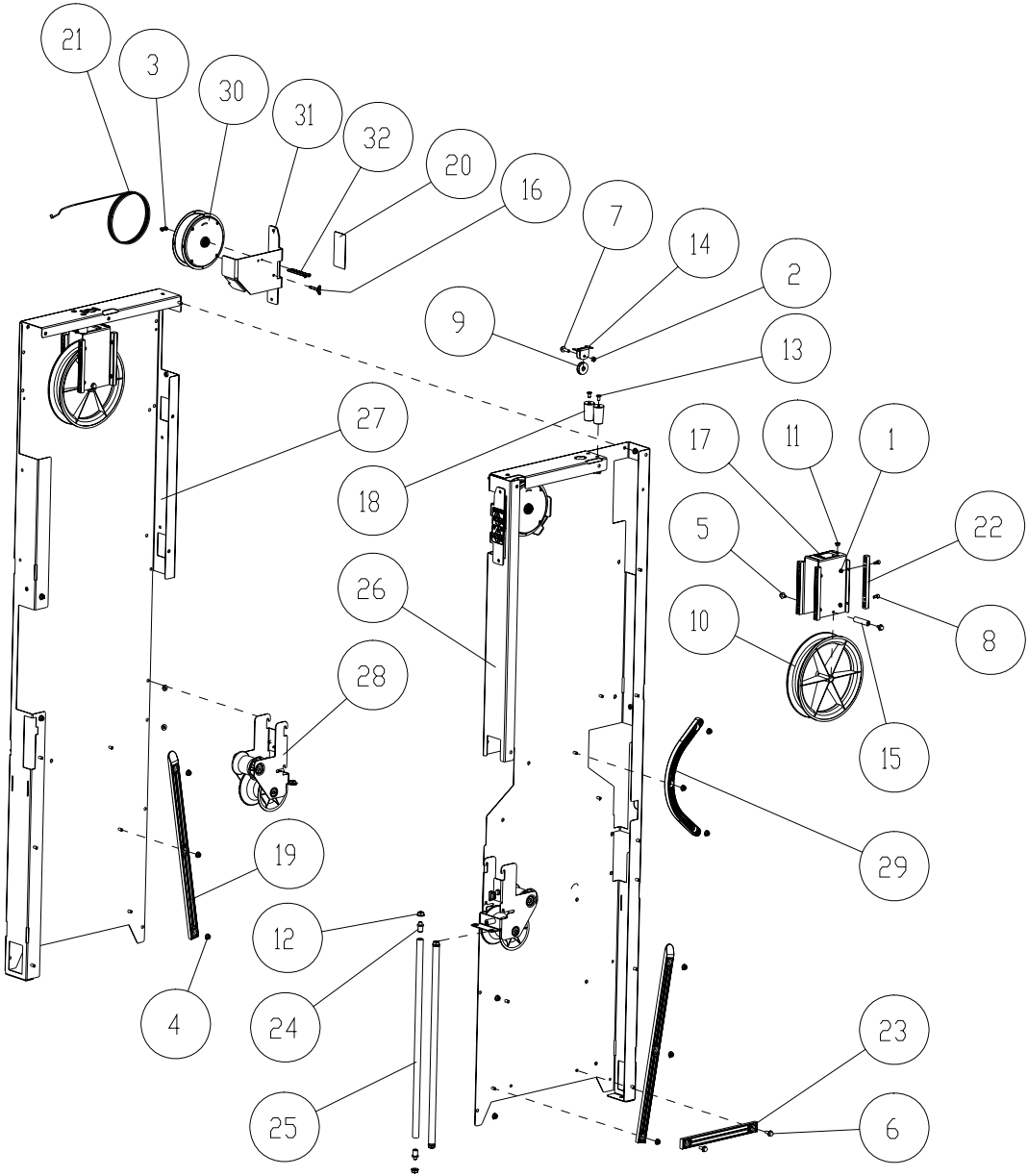
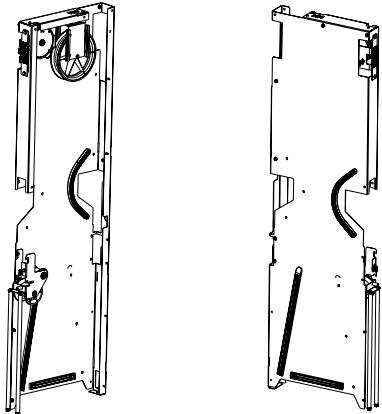
Item No	Description	Désignation Français	Part No	Comments
1	Nut Hex Prev Torque M5	Ecrou Frein M5	900012-002	
2	Nut Hex Prev Torque M6	Ecrou Frein M6	900012-003	
3	Nut Hex Prev Torque M4	Ecrou Frein M4	900012-011	
4	Nut Hex Self Lock M6	Ecrou Bride Autobloquant M6	900013-003	
5	Screw HFHSL M6x10	Vis Hex Br Autobl M6x10	900016-003	
6	Screw HFHSL M6x16	Vis Hex Br Autobl M6x16	900016-004	
7	Screw HFHSL M6x20	Vis Hex Br Autobl M6x20	900016-013	
8	Screw HSHC M5x10	Vis CHC M5x10	900017-013	
9	Ball Bearing Groove (30/6)	Roul Billes Rainure (30/6)	900059-001	
10	Hose Wheel 220mm	Poulie Flexible 220mm	900494	
11	Bearing 6x9x6	Coussinet 6x9x6	900497-001	
12	Bearing Vertical Roller	Palier de Rouleau Vertical	900505	
13	Screw HSC M6x12	Vis FHC M6x12	900643-001	
14	Bracket Rope Roller	Support de Rouleau pour Corde	901516	
15	Wheel 220 Shaft	Axe pour Poulie 220 mm	901523	
16	Wing Screw	Vis D Aile	904300	
17	Bracket Moving Wheel	Support Roue d'Enrouleur	906436	
18	Rubber Buffer	Tampon Caoutch	906658	
19	Vertical End Stop Moulded	Vert Arrêt d'extrémité Moulé	907444	
20	Sticker for Spring Drum	Adhésif pour Enrouleur	907738	
21	Rope Spring Drum L=1.9mt	Corde d'enrouleur L=1.9mt	907963	
22	Guide Moving Wheel Moulded	Roue d'enrouleur de Guide Moulé	908191	
23	Horiz End Stop Moulded	Horiz Arrêt d'extrémité Moulé	908945	
24	Vertical Roller End Plug	Bouchon Roleau Vertical	909119	
25	Vertical roller for NNB D=16	Rouleau Vertical pour NNB d=16	942249	
26	HMS Frame Right Assy NNB	HMS Cadre Droit Asm NNB	943762	
27	HMS Frame Left Assy NNB	HMS Cadre Gauche Asm NNB	943765	

(Cont.)

Left HMS Assembly



Right HMS Assembly

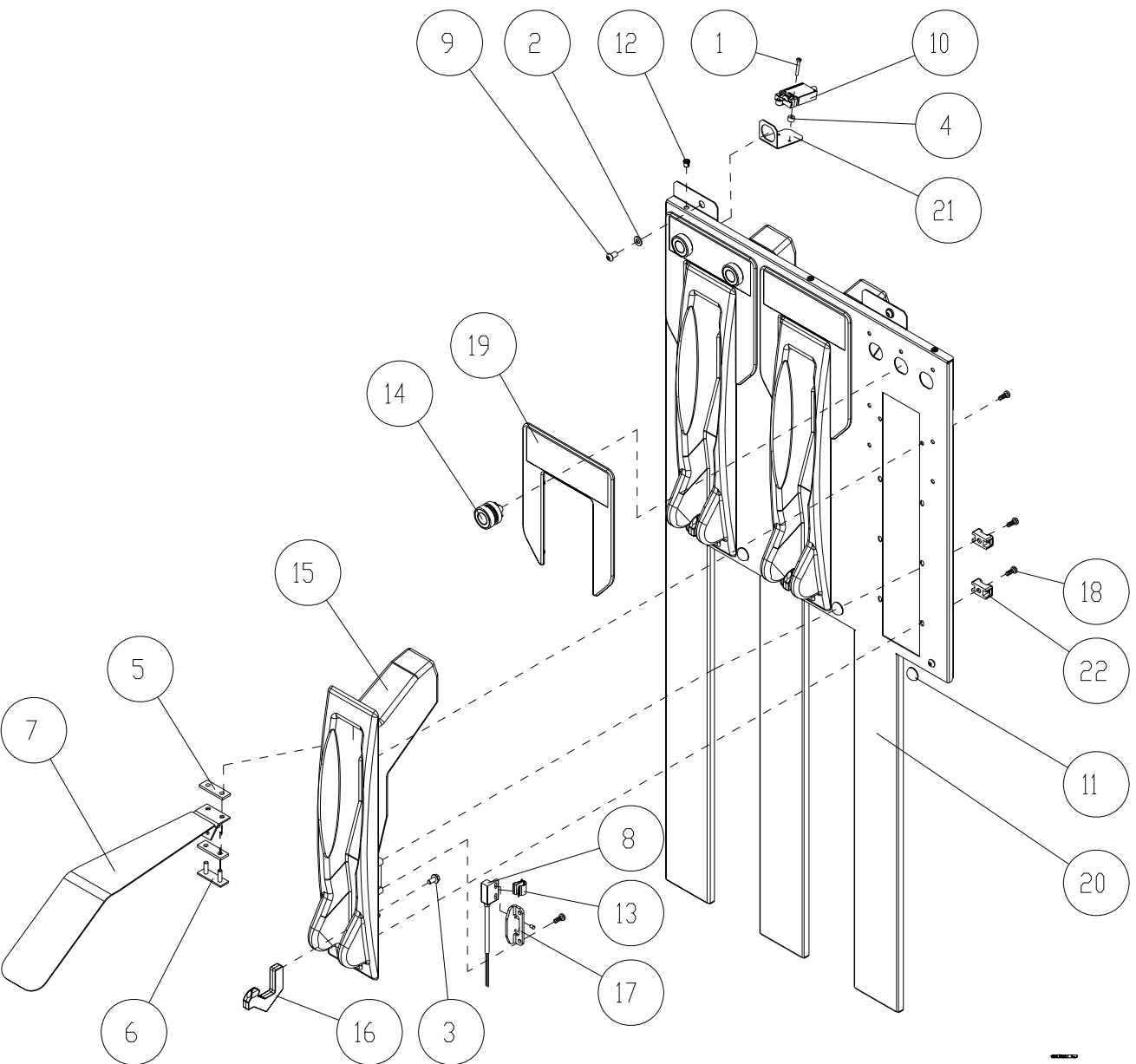


3.1 Hose Management Assembly (Cont.)

Item No	Description	Désignation Français	Part No	Comments
28	Wheel Roller Bracket NNB Equiped	Supp. de Roue/Rouleau NNB	-	Refer to Wheel Roller Bkt Assembly
29	Moving Wheel Guide Moulded	Guide Roue Enrouleur Moulée	944347	
30	Plastic Core Spring Drum Assembly	Axe Plastique D'Enrouleur Asm	944752	
31	Springdrum Bracket	Support d'Enrouleur	946544	
32	Pozidrive Pan Screw M4x65	Vis a Empreinte Pozidrive M4x65	946551-001	

3.1.1 WHEEL ROLLER BRACKET ASSEMBLY

Item No	Description	Désignation Français	Part No	Comments
1	Rivet Rokut	Rivet Expansion	900022-001	
2	Bearing Vertical Roller	Palier de Rouleau Vertical	900505	
3	Screw HFHTF M6x10	Vis Hex. Taraudeuse M6x10	900708-001	
4	Insulation Sleeve 8.2 mm	Manchon Isolant 8.2 mm	900758-003	
5	Roller Axis L= 79 mm	Axe de Rouleau L = 79 mm	901501	
6	Roller Axis L= 71 mm	Axe de Rouleau L = 71 mm	901510	
7	HMS Wheel (moulded)	HMS Roue (moule)	902901	
8	Small HMS Wheel (moulded)	Petit HMS Roue (moule)	902948	
9	Cable Clip Square	Fixation Cable Carre	906288	
10	Wheel Roller Bracket NNB Assy	Supp. de Roue/Rouleau NNB Asm	943768	



3.2 Nozzle Panel Assembly

Item No	Description	Désignation Français	Part No	Comments
1	Screw SCH M3x20	Vis CS M3x20	900007-002	
2	Washer PI M6	Rondelle PI M6	900008-002	
3	Screw HFHSL M5x10	Vis Hex Br Autobl M5x10	900016-001	
4	Spacer 3.2x8x5	Entretoise Cyl 3.2x8x5	900024-011	
5	Gasket Prod. Ind. Flap	Joint Etanch Prod Ind. Volet	900375	
6	Fixing Plate Prod. Ind. Flap	Plaque Fix Prod. Ind. Volet	900376	
7	Product Indication Flap CPL	Volet Prod. Inf. CPL.	900379	
8	Magnetic Proximity Switch	Contact Magneti.q.de Proximité	900387-001	
9	Screw HSB M6x10	Vis M6x10	900795-005	
10	Microswitch	Microrupteur Inverseur	902503-001	
11	Snap Cap White M6	Chapeau Vis Blanc M6	903192-001	
12	Snap Bush for Ø3	Coussinet à cliper Ø3	906230-002	
13	Reed Switch Spring Clip	Ressort Fixation	907666	
14	Button Black	Bouton Noir	908603-001	
15	Nozzle Boot	Repose Buse	909090-001	
	Nozzle Boot with Flapper Facility	Repose Buse Obturateur	909090-003	
16	Nozzle Boot Hook Secure	Cochet de Bec Bloqué	940472	
17	Assy Bracket Lower Reed Switch	Asm Support Commutateur Inférieur	940780	
18	Screw Poly 30 Posi Pan Dia 5x12	Vis Poly 30 Posi Pan Dia 5x12	940787-001	
19	NNB Protection Panel	Protection Repose Buse	942605	
	NNB Protection Panel 1 Push Button	Protection Repose Buse 1 Bouton	943731-001	
	NNB Protection Panel 2 Push Button	Protection Repose Buse 2 Bouton	943731-002	
20	NNB Lower Panel	Pann. Inf. NNB	-	Refer to Frame & Cladding Assy
21	Switch Bracket	Support Contact	944892	
22	Collar M6 for tie <7.5 mm	Embase M6 pour collier <7.5 mm	945073-001	

3.3 Hoses

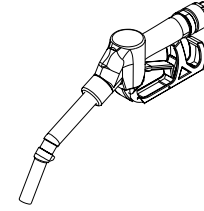


3.3.1 417CM LENGTH

Part No	Hose Colour	Hose Dia	Hose Length	Hose Type	Anti kink sleeve column	Anti kink sleeve nozzle	Coupling column	Coupling nozzle	Manufacturer	Special Performance
901103-161	black	16mm	417cm	slimline	standard lattice	standard lattice	1" BSP FE brass/chrome	1" BSP FE brass/chrome	Elaflex	standard
901103-162	black	21mm	417cm	slimline	standard lattice	standard lattice	1" BSP FE brass/chrome	1" BSP FE brass/chrome	Elaflex	standard
901103-163	black	21mm	417cm	VR	standard lattice	standard lattice	M34x1.5 VR zamac	M34x1.5 VR zamac	Elaflex	standard
901103-164	black	16mm	417cm	slimline	standard lattice	standard lattice	1" BSP FE brass/chrome	1" BSP FE brass/chrome	Elaflex	Low Temp
901103-165	black	21mm	417cm	slimline	standard lattice	standard lattice	1" BSP FE brass/chrome	1" BSP FE brass/chrome	Elaflex	Low Temp
901103-166	black	21mm	417cm	VR	standard lattice	standard lattice	M34x1.5 VR zamac	M34x1.5 VR zamac	Elaflex	Low Temp
901103-167	black	16mm	417cm	slimline	standard lattice	standard lattice	1" BSP FE brass/chrome	1" BSP FE brass/chrome	Elaflex	BioDiesel
901103-168	black	21mm	417cm	slimline	standard lattice	standard lattice	1" BSP FE brass/chrome	1" BSP FE brass/chrome	Elaflex	BioDiesel
901103-173	red	16mm	417cm	standard	standard lattice	standard lattice	1" BSP FE brass/chrome	1" BSP FE brass/chrome	Elaflex	standard
901103-174	green	16mm	417cm	standard	standard lattice	standard lattice	1" BSP FE brass/chrome	1" BSP FE brass/chrome	Elaflex	standard
901103-175	blue	16mm	417cm	standard	standard lattice	standard lattice	1" BSP FE brass/chrome	1" BSP FE brass/chrome	Elaflex	standard
901103-176	yellow	16mm	417cm	standard	standard lattice	standard lattice	1" BSP FE brass/chrome	1" BSP FE brass/chrome	Elaflex	standard
901103-177	red	21mm	417cm	VR	standard lattice	standard lattice	1" BSP FE brass/chrome	1" BSP FE brass/chrome	Elaflex	standard
901103-178	green	21mm	417cm	VR	standard lattice	standard lattice	1" BSP FE brass/chrome	1" BSP FE brass/chrome	Elaflex	standard
901103-179	black	16mm	417cm	standard	none	none	1" BSP FE brass/chrome	1" BSP FE brass/chrome	Goodyear	standard
901103-180	black	16mm	417cm	standard	none	black	1" BSP FE brass/chrome	1" BSP FE brass/chrome	Goodyear	standard
901103-181	black	16mm	417cm	standard	none	red	1" BSP FE brass/chrome	1" BSP FE brass/chrome	Goodyear	standard
901103-182	black	16mm	417cm	standard	none	green	1" BSP FE brass/chrome	1" BSP FE brass/chrome	Goodyear	standard
901103-183	black	16mm	417cm	standard	none	blue	1" BSP FE brass/chrome	1" BSP FE brass/chrome	Goodyear	standard
901103-184	black	16mm	417cm	standard	none	yellow	1" BSP FE brass/chrome	1" BSP FE brass/chrome	Goodyear	standard

3.4 Nozzles

3.4.1 ELAFLEX ZVA2 NOZZLES (NON-SECURE)



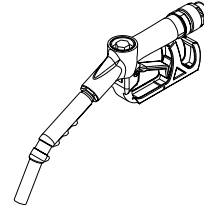
Part No	Speed (l/min)	Fuel	VR	Coupling	Break	Grip EK038	Scuffguard EK044	Product Ind. Sleeve EK043	Special
945126-001	40	unleaded	none	1" male	none	Black	Black	Black	
945126-002	40	unleaded	none	1" male	non-reusable	Black	Black	Black	
945126-003	40	unleaded	none	1" male	reusable	Black	Black	Black	
945126-004	40	leaded/diesel	none	1" male	none	Black	Black	Black	
945126-005	40	leaded/diesel	none	1" male	non-reusable	Black	Black	Black	
945126-006	40	leaded/diesel	none	1" male	reusable	Black	Black	Black	
945126-007	80	unleaded	none	1" male	none	Black	Black	Black	
945126-008	80	unleaded	none	1" male	non-reusable	Black	Black	Black	
945126-009	80	unleaded	none	1" male	reusable	Black	Black	Black	
945126-010	80	leaded/diesel	none	1" male	none	Black	Black	Black	
945126-011	80	leaded/diesel	none	1" male	non-reusable	Black	Black	Black	
945126-012	80	leaded/diesel	none	1" male	reusable	Black	Black	Black	
945126-013	40	diesel	none	1" male	none	Black	Black	Black	Dripstop
945126-014	40	diesel	none	1" male	non-reusable	Black	Black	Black	Dripstop
945126-015	40	diesel	none	1" male	reusable	Black	Black	Black	Dripstop
945126-016	40	diesel	none	1" male	none	Black	Black	Black	Dripstop, 5L/Min on Nozzle (UK only)
945126-017	40	diesel	none	1" male	non-reusable	Black	Black	Black	Dripstop, 5L/Min on Nozzle (UK only)
945126-018	40	diesel	none	1" male	reusable	Black	Black	Black	Dripstop, 5L/Min on Nozzle (UK only)
945126-019	40	leaded	non-GRVP	1" male	none	Black	Green	Green	No vapour valve
945126-020	40	unleaded	non-GRVP	1" male	none	Black	Green	Green	No vapour valve
945126-021	40	leaded	non-GRVP	1" male	none	Black	Green	Green	On/Off vapour valve
945126-022	40	unleaded	non-GRVP	1" male	none	Black	Green	Green	On/Off vapour valve
945126-023	40	leaded	GRVP	1" male	none	Black	Green	Green	Proportional vapour valve

(CONT.)

3.4.1 ELAFLEX ZVA2 NOZZLES (NON-SECURE) CONT.

Part No	Speed (l/min)	Fuel	VR	Coupling	Break	Grip EK038	Scuffguard EK044	Product Ind.Sleeve EK043	Special
945126-024	40	unleaded	GRVP	1" male	none	Black	Green	Green	Proportional vapour valve
945126-025	40	unleaded	none	1" male	none	Light Blue	Light Blue	Light Blue	
945126-026	40	unleaded	none	1" male	non-reusable	Light Blue	Light Blue	Light Blue	
945126-027	40	unleaded	none	1" male	reusable	Light Blue	Light Blue	Light Blue	
945126-028	40	leaded/diesel	none	1" male	none	Dark Blue	Dark Blue	Dark Blue	
945126-029	40	leaded/diesel	none	1" male	non-reusable	Dark Blue	Dark Blue	Dark Blue	
945126-030	40	leaded/diesel	none	1" male	reusable	Dark Blue	Dark Blue	Dark Blue	
945126-031	80	unleaded	none	1" male	none	Light Blue	Light Blue	Light Blue	
945126-032	80	unleaded	none	1" male	non-reusable	Light Blue	Light Blue	Light Blue	
945126-033	80	unleaded	none	1" male	reusable	Light Blue	Light Blue	Light Blue	
945126-034	80	leaded/diesel	none	1" male	none	Dark Blue	Dark Blue	Dark Blue	
945126-035	80	leaded/diesel	none	1" male	non-reusable	Dark Blue	Dark Blue	Dark Blue	
945126-036	80	leaded/diesel	none	1" male	reusable	Dark Blue	Dark Blue	Dark Blue	
945126-037	40	unleaded	non-GRVP	1" male	none	Light Blue	Light Blue	Light Blue	No vapour valve
945126-038	40	unleaded	non-GRVP	1" male	none	Light Blue	Light Blue	Light Blue	On/Off vapour valve
945126-039	40	diesel	none	1" male	none	Dark Blue	Dark Blue	Dark Blue	Dripstop
945126-040	40	diesel	none	1" male	non-reusable	Dark Blue	Dark Blue	Dark Blue	Dripstop
945126-041	40	diesel	none	1" male	reusable	Dark Blue	Dark Blue	Dark Blue	Dripstop
945126-042	40	diesel	none	1" male	none	Dark Blue	Dark Blue	Dark Blue	Dripstop, 5L/Min on Nozzle (UK only)
945126-043	40	diesel	none	1" male	non-reusable	Dark Blue	Dark Blue	Dark Blue	Dripstop, 5L/Min on Nozzle (UK only)
945126-044	40	diesel	none	1" male	reusable	Dark Blue	Dark Blue	Dark Blue	Dripstop, 5L/Min on Nozzle (UK only)

3.4.2 ELAFLEX ZVA25 NOZZLES (NON-SECURE)



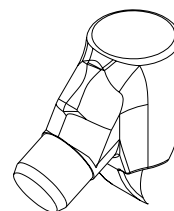
Part No	Speed (l/min)	Fuel	VR	Coupling	Break	Grip	Scuffguard	Product Ind. Sleeve	Special
901135-013	80/130	diesel	none	1" male	reusable	Black	Black	N/A	
901135-022	80/130	diesel	none	1" male	none	Black	Black	N/A	
901135-044	80/130	diesel	none	1" male	none	Black	Black	N/A	
901135-047	80/130	diesel	none	1" male	reusable	Black	Black	N/A	
901135-086	80/130	diesel	none	1" male	non-reusable	Black	Black	N/A	

3.4.3 OPW NOZZLES

Part No	Speed (l/min)	Fuel	VR	Coupling	Break	Grip	Nozzle cover	Magnet	Tip/Spout	Special
901852-001	40	unleaded	none	3/4" female	none	Black	Black	none	standard	latch & spring
901852-002	40	leaded	none	3/4" female	none	Black	Black	none	standard	latch & spring
901852-003	40	unleaded	none	3/4" female	none	Black	Black	none	standard	
901852-004	40	leaded	none	3/4" female	none	Black	Black	none	standard	
901852-005	40	diesel	none	3/4" female	none	Black	Black	none	standard	Dripless latch & spring
901852-006	40	diesel	none	3/4" female	none	Black	Black	none	standard	Dripless
901852-007	80/130	diesel	none	1" female	none	Black	Black	none	standard	1" latch & spring

3.5 Nozzle Extras

3.5.1 NOZZLE COVERS



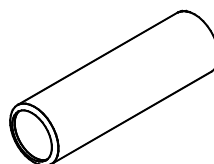
Elaflex ZVA2 Nozzle Scuffguard

Part No	Description	Désignation Français
945127-001	ZVA2 Scuffguard EK044 Black	ZVA2 Garde d'Usure EK044 Noir
945127-002	ZVA2 Scuffguard EK044 Blue	ZVA2 Garde d'Usure EK044 Bleu
945127-003	ZVA2 Scuffguard EK044 Dark Blue	ZVA2 Garde d'Usure EK044 Bleu-Foncé
945127-004	ZVA2 Scuffguard EK044 Green	ZVA2 Garde d'Usure EK044 Vert
945127-005	ZVA2 Scuffguard EK044 Light Green	ZVA2 Garde d'Usure EK044 Vert-Clair
945127-006	ZVA2 Scuffguard EK044 Light Blue	ZVA2 Garde d'Usure EK044 Bleu-Clair
945127-007	ZVA2 Scuffguard EK044 Orange	ZVA2 Garde d'Usure EK044 Orange
945127-008	ZVA2 Scuffguard EK044 Red	ZVA2 Garde d'Usure EK044 Rouge
945127-009	ZVA2 Scuffguard EK044 Silver/Grey	ZVA2 Garde d'Usure EK044 Argent/Gris
945127-010	ZVA2 Scuffguard EK044 White	ZVA2 Garde d'Usure EK044 Blanc
945127-011	ZVA2 Scuffguard EK044 Yellow	ZVA2 Garde d'Usure EK044 Jaune
945127-012	ZVA2 Scuffguard EK044 Cyan	ZVA2 Garde d'Usure EK044 Cyan

OPW Nozzle Covers

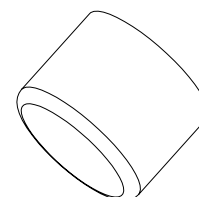
Part No	Description	Désignation Français
901853-001	Nozzle Cover OPW/19/Hole/Yellow	Protecteur de Buse OPW/19/Hole/Jaune
901853-002	Nozzle Cover OPW/19/Hole/Green	Protecteur de Buse OPW/19/Hole/Vert
901853-003	Nozzle Cover OPW/19/Hole/Red	OPW/19/Hole/Rouge
901853-004	Nozzle Cover OPW/19/Hole/Blue	Protecteur de Buse OPW/19/Hole/Bleu
901853-005	Nozzle Cover OPW/19/Hole/Black	Protecteur de Buse OPW/19/Hole/Noir
901853-006	Nozzle Cover OPW/19/No Hole/Yellow	Hole/Jaune
901853-007	Nozzle Cover OPW/19/Nohole/Green	OPW/19/Nohole/Vert
901853-008	Nozzle Cover OPW/19/Nohole/Red	OPW/19/Nohole/Rouge
901853-009	Nozzle Cover OPW/19/Nohole/Blue	OPW/19/Nohole/Bleu
901853-010	Nozzle Cover OPW/19/Nohole/Black	OPW/19/Nohole/Noir
901853-011	Nozzle Cover OPW/25/Hole/Black	Protecteur de Buse OPW/25/Hole/Noir
901853-012	Nozzle Cover OPW/25/Nohole/Black	OPW/25/Nohole/Noir

3.5.2 SLEEVES



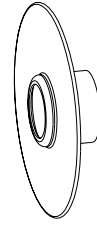
Part No	Description	Désignation Français
909295-001	Sleeve CS16 Red	Gaine Flex. CS16 Rouge
909295-002	Sleeve CS16 Green	Gaine Flex. CS16 Verte
909295-003	Sleeve CS16 Blue	Gaine Flex. CS16 Bleue
909295-004	Sleeve CS16 Yellow	Gaine Flex. CS16 Jaune
909295-005	Sleeve CS16 Black	Gaine Flex. CS16 Noire
909295-006	Sleeve CS21 Red	Gaine Flex. Coax. CS21 R.V. Rouge
909295-007	Sleeve CS21 Green	Gaine Flex. Coax. CS21 R.V. Verte
909295-008	Sleeve CS21 Blue	Gaine Flex. Coax. CS21 R.V. Bleue
909295-009	Sleeve CS21 Black	Gaine Flex. Coax. CS21 R.V. Noire
909295-010	Sleeve CS21 Yellow	Gaine Flex. Coax. CS21 R.V. Jaune
909295-011	Sleeve CS16 Orange	Gaine Flex. CS16 R.V. Orange
909295-012	Sleeve CS21 Orange	Gaine Flex. Coax. CS21 R.V. Orange
909295-013	Sleeve CS16 White	Gaine Flex. CS16 Blanc
909295-014	Sleeve CS21 White	Gaine Flex. Coax. CS21 R.V. Blanc
909295-015	Sleeve CS16 Dark Blue BP	Gaine Flex. CS16 Bleu-Foncé BP
909295-016	Sleeve CS16 Light Blue BP	Gaine Flex. CS16 Bleu-Clair BP
909295-017	Sleeve CS21 Dark Blue BP	Gaine Flex. CS21 Bleu-Foncé BP
909295-018	Sleeve CS21 Light Blue BP	Gaine Flex. CS21 Bleu-Clair BP
909295-019	Sleeve CS16 Cyan ESSO	Gaine Flex. CS16 Cyan ESSO
909295-020	Sleeve CS21 Cyan ESSO	Gaine Flex. CS21 Cyan ESSO
909295-021	Sleeve CS16 Light Green	Gaine Flex. CS16 Vert-Clair
909295-022	Sleeve CS21 Light Green	Gaine Flex CS21 Vert-Clair

3.5.3 ZVA2 PRODUCT INDICATION SLEEVE



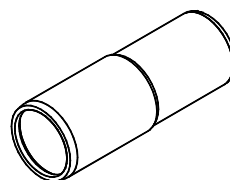
Part No	Description	Désignation Français
945128-001	Prod. Ind. Sleeve EK043 Black	Douille d'Ind. De Produit EK043 Noir
945128-002	Prod. Ind. Sleeve EK043 Blue	Douille d'Ind. De Produit EK043 Bleu
945128-003	Prod. Ind. Sleeve EK043 Dark Blue	Douille d'Ind. De Produit EK043 Bleu-Foncé
945128-004	Prod. Ind. Sleeve EK043 Green	Douille d'Ind. De Produit EK043 Vert
945128-005	Prod. Ind. Sleeve EK043 Light Green	Douille d'Ind. De Produit EK043 Vert-Clair
945128-006	Prod. Ind. Sleeve EK043 Light Blue	Douille d'Ind. De Produit EK043 Bleu-Clair
945128-007	Prod. Ind. Sleeve EK043 Orange	Douille d'Ind. De Produit EK043 Orange
945128-008	Prod. Ind. Sleeve EK043 Red	Douille d'Ind. De Produit EK043 Rouge
945128-009	Prod. Ind. Sleeve EK043 Silver/Grey	Douille d'Ind. De Produit EK043 Argent/Gris
945128-010	Prod. Ind. Sleeve EK043 White	Douille d'Ind. De Produit EK043 Blanc
945128-011	Prod. Ind. Sleeve EK043 Yellow	Douille d'Ind. De Produit EK043 Jaune
945128-012	Prod. Ind. Sleeve EK043 Cyan	Douille d'Ind. De Produit EK043 Cyan

3.5.4 ZVA2 SPLASHGUARDS



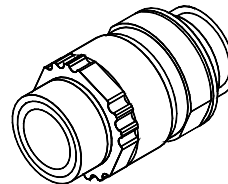
Part No	Description	Désignation Français
945129-001	ZVA2 Splashguard SG652 Black	ZVA2 Garde d'Eclaboussure SG652 Noir
945129-002	ZVA2 Splashguard SG652 Blue	ZVA2 Garde d'Eclaboussure SG652 Bleu
945129-003	ZVA2 Splashguard SG652 Dark Blue	ZVA2 Garde d'Eclaboussure SG652 Bleu-Foncé
945129-004	ZVA2 Splashguard SG652 Green	ZVA2 Garde d'Eclaboussure SG652 Vert
945129-005	ZVA2 Splashguard SG652 Light Green	ZVA2 Garde d'Eclaboussure SG652 Vert-Clair
945129-006	ZVA2 Splashguard SG652 Light Blue	ZVA2 Garde d'Eclaboussure SG652 Bleu-Clair
945129-007	ZVA2 Splashguard SG652 Orange	ZVA2 Garde d'Eclaboussure SG652 Orange
945129-008	ZVA2 Splashguard SG652 Red	ZVA2 Garde d'Eclaboussure SG652 Rouge
945129-009	ZVA2 Splashguard SG652 Silver/Grey	ZVA2 Garde d'Eclaboussure SG652 Argent/Gris
945129-010	ZVA2 Splashguard SG652 White	ZVA2 Garde d'Eclaboussure SG652 Blanc
945129-011	ZVA2 Splashguard SG652 Yellow	ZVA2 Garde d'Eclaboussure SG652 Jaune
945129-012	ZVA2 Splashguard SG652 Ulimite Unleaded Green (UK)	ZVA2 Garde d'Eclaboussure SG652 Ultimate Unleaded Vert (UK)
945129-013	ZVA2 Splashguard SG652 Ulimite Diesel Dark Blue (UK)	ZVA2 Garde d'Eclaboussure SG652 Ultimate Unleaded Bleu-Foncé (UK)
945129-014	ZVA2 Splashguard SG652 Ulimite Unleaded Light Blue (FR)	ZVA2 Garde d'Eclaboussure SG652 Ultimate Unleaded Bleu-Clair (FR)
945129-015	ZVA2 Splashguard SG652 Ulimite Diesel Dark Blue (FR)	ZVA2 Garde d'Eclaboussure SG652 Ultimate Diesel Bleu-Foncé (FR)
945129-016	ZVA2 Splashguard SG652 Ulimite Unleaded Light Blue (ESP)	ZVA2 Garde d'Eclaboussure SG652 Ultimate Unleaded Bleu-Clair (ESP)
945129-017	ZVA2 Splashguard SG652 Ulimite Diesel Dark Blue (ESP)	ZVA2 Garde d'Eclaboussure SG652 Ultimate Diesel Bleu-Foncé (ESP)
945129-018	ZVA2 Splashguard SG652 Ulimite Unleaded (Dripstop) Light Blue (CAT)	ZVA2 Garde d'Eclaboussure SG652 Ultimate Unleaded (Dripstop) Bleu-Clair (CAT)
945129-019	ZVA2 Splashguard SG652 Ulimite Unleaded (Dripstop) Dark Blue (CAT)	ZVA2 Garde d'Eclaboussure SG652 Ultimate Diesel (Dripstop) Bleu-Foncé (CAT)
945129-020	ZVA2 Splashguard SG652 Cyan	ZVA2 Garde d'Eclaboussure SG652 Cyan

3.5.5 SLEEVE BREAKS



Part No	Description	Désignation Français
901140-001	Sleeve Break BT16 Red	Gaine Flex Rac Cass BT16 Rouge
901140-002	Sleeve Break BT16 Green	Gaine Flex Rac Cass BT16 Vert
901140-003	Sleeve Break BT16 Blue	Gaine Flex Rac Cass BT16 Bleu
901140-004	Sleeve Break BT16 Yellow	Gaine Flex Rac Cass BT16 Jaune
901140-005	Sleeve Break BT16 Black	Gaine Flex Rac Cass BT16 Noir
901140-006	Sleeve Break BT21 Red	Gaine Flex Rac Cass BT21 Rouge
901140-007	Sleeve Break BT21 Green	Gaine Flex Rac Cass BT21 Vert
901140-008	Sleeve Break BT21 Black	Gaine Flex Rac Cass BT21 Noir
901140-009	Sleeve Break BT21 Blue	Gaine Flex Rac Cass BT21 Bleu
901140-010	Sleeve Break BT21 Yellow	Gaine Flex Rac Cass BT21 Jaune
901140-011	Sleeve Break BT16 Silver/Grey	Gaine Flex Rac Cass BT16 Argent/Gris
901140-012	Sleeve Break BT21 Silver/Grey	Gaine Flex Rac Cass BT21 Argent/Gris
901140-013	Sleeve Break BT16 Orange	Gaine Flex Rac Cass BT16 Orange
901140-014	Sleeve Break BT21 Orange	Gaine Flex Rac Cass BT21 Orange
901140-015	Sleeve Break BT16 White	Gaine Flex Rac Cass BT16 Blanc
901140-016	Sleeve Break BT21 White	Gaine Flex Rac Cass BT21 Blanc
901140-017	Sleeve Break BT16 Light Blue BP	Gaine Flex Rac Cass BT16 Bleu Clair BP
901140-018	Sleeve Break BT21 Light Blue BP	Gaine Flex Rac Cass BT21 Bleu Clair BP
901140-019	Sleeve Break BT16 Dark Blue BP	Gaine Flex Rac Cass BT16 Bleu-Foncé BP
901140-020	Sleeve Break BT21 Dark Blue BP	Gaine Flex Rac Cass BT21 Bleu-Foncé BP
901140-021	Sleeve Break BT16 Cyan ESSO	Gaine Flex Rac Cass BT16 Cyan ESSO
901140-022	Sleeve Break BT21 Cyan ESSO	Gaine Flex Rac Cass BT21 Cyan ESSO
901140-023	Sleeve Break BT16 Light Green	Gaine Flex Rac Cass BT16 Vert-Clair
901140-024	Sleeve Break BT21 Light Green	Gaine Flex Rac Cass BT21 Vert-Clair

3.5.6 BREAK COUPLINGS

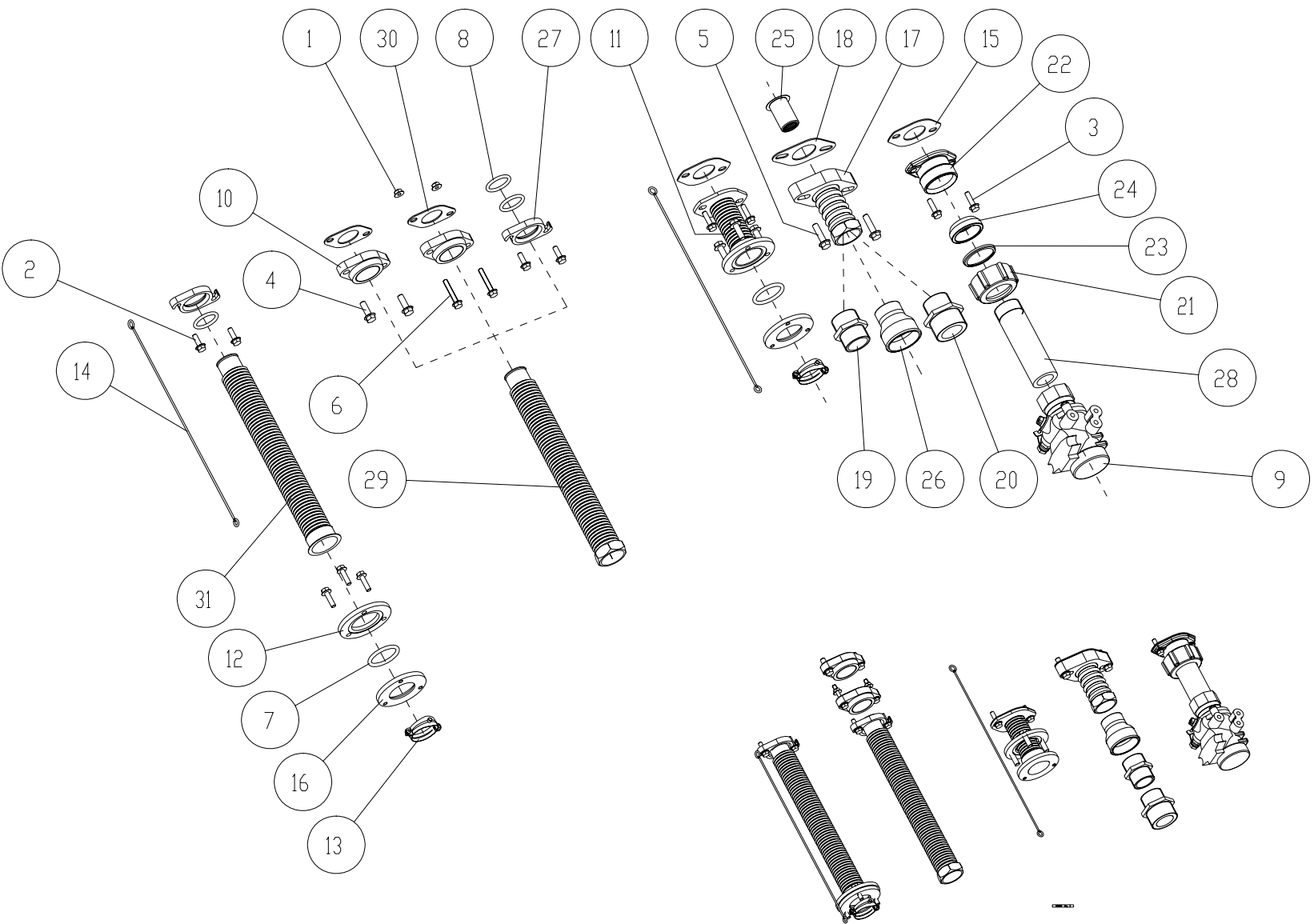


Part No	Description	Désignation Français
901137-001	Break Coupling 1" Male BS7117	Raccord Cassant 1" Mâle BS7117
901137-002	Break Coupling 1" Male Non BS7117	Raccord Cassant 1" Mâle Non BS7117
901137-003	Break Coupling 1" Male Non Reuseable	Raccord Cassant 1" Mâle Non Reutilisable
901568-001	Break Coupling VR	Raccord Cassant RV
901568-002	Break Coupling VR Non Reuseable	Raccord Cassant RV Non Reutilisable

This page is intentionally blank

CONTENTS

4	DISPENSER HYDRAULICS	4-2
4.1	Flexible Connections	4-2
4.2	Filter Assembly	4-6
4.3	EPZ Hydraulic Stack Assembly	4-8
4.4	PAS V3 Hydraulic Stack Assembly	4-10
4.5	Pipe Assemblies	4-12
4.5.1	Standard & HS 1-2 Models	4-12
4.5.2	Models HS 2-2, HS 2-4, HS 3-3, HS 3-6, HS 4-4, HS 4-8, HS 5-8, THS 2-4, THS 3-6	4-14
4.5.3	High Speed on First Column - Models HS 2-4, HS 3-6 & HS 4-8	4-16
4.5.4	Model THS 1-2 & High Speed on First Column - Models HS 5-8 & THS 2-4	4-18
4.5.5	Models VHS 1-2 Single Sided & VHS 2-4	4-20
4.5.6	Model VHS 3-6	4-22
4.5.7	Model VHS 4-4	4-24
4.5.8	Model VHS 4-8	4-26
4.5.9	Models VHS 1-1, VHS 1-2, VHSM 1-1 & VHSM 1-2	4-30
4.5.10	Model VHSM 2-4 (With SIB Valves).....	4-34
4.5.11	Model VHSM 2-4 (With Danfoss Valves)	4-38
4.5.12	Models HSM 1-1 & HSM 1-2	4-40
4.5.13	Model HSM 5-8	4-42
4.5.14	Model SVHS 5-8	4-44
4.5.15	Model SVHSM 5-5 Left	4-46
4.5.16	Model SVHSM 5-5 Right	4-48
4.5.17	Models VHS ² M5-6 & VHS ² 5-6	4-50
4.6	Satellite Pipe Assembly	4-52
4.7	Valve & Fittings Assemblies	4-54
4.7.1	SIB Valve Assemblies	4-54
4.7.2	Danfoss Valve Assemblies	4-56
4.8	Submerged Assembly	4-58
4.9	Air Vent Pipe Assemblies	4-62

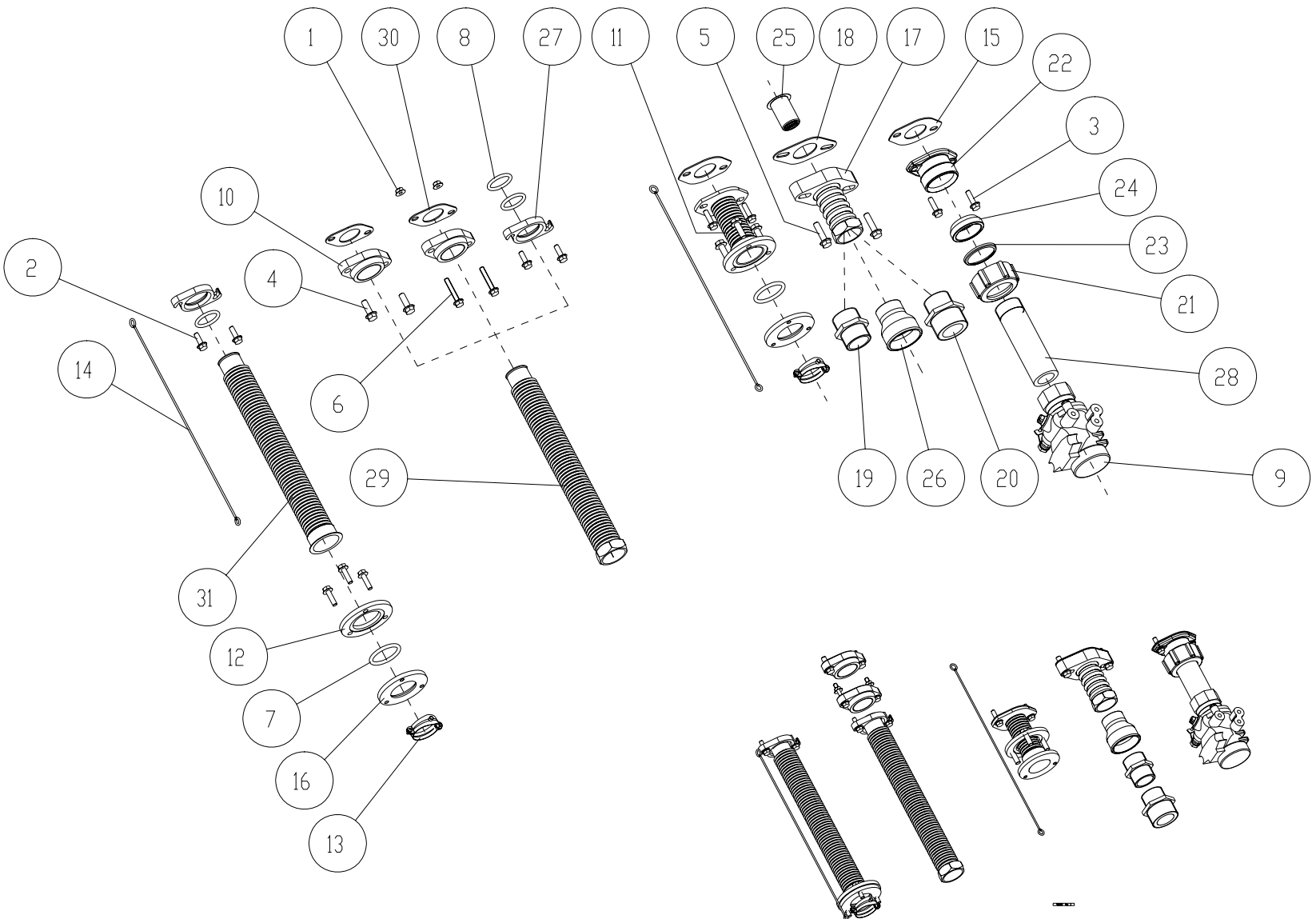


4 DISPENSER HYDRAULICS

4.1 Flexible Connections

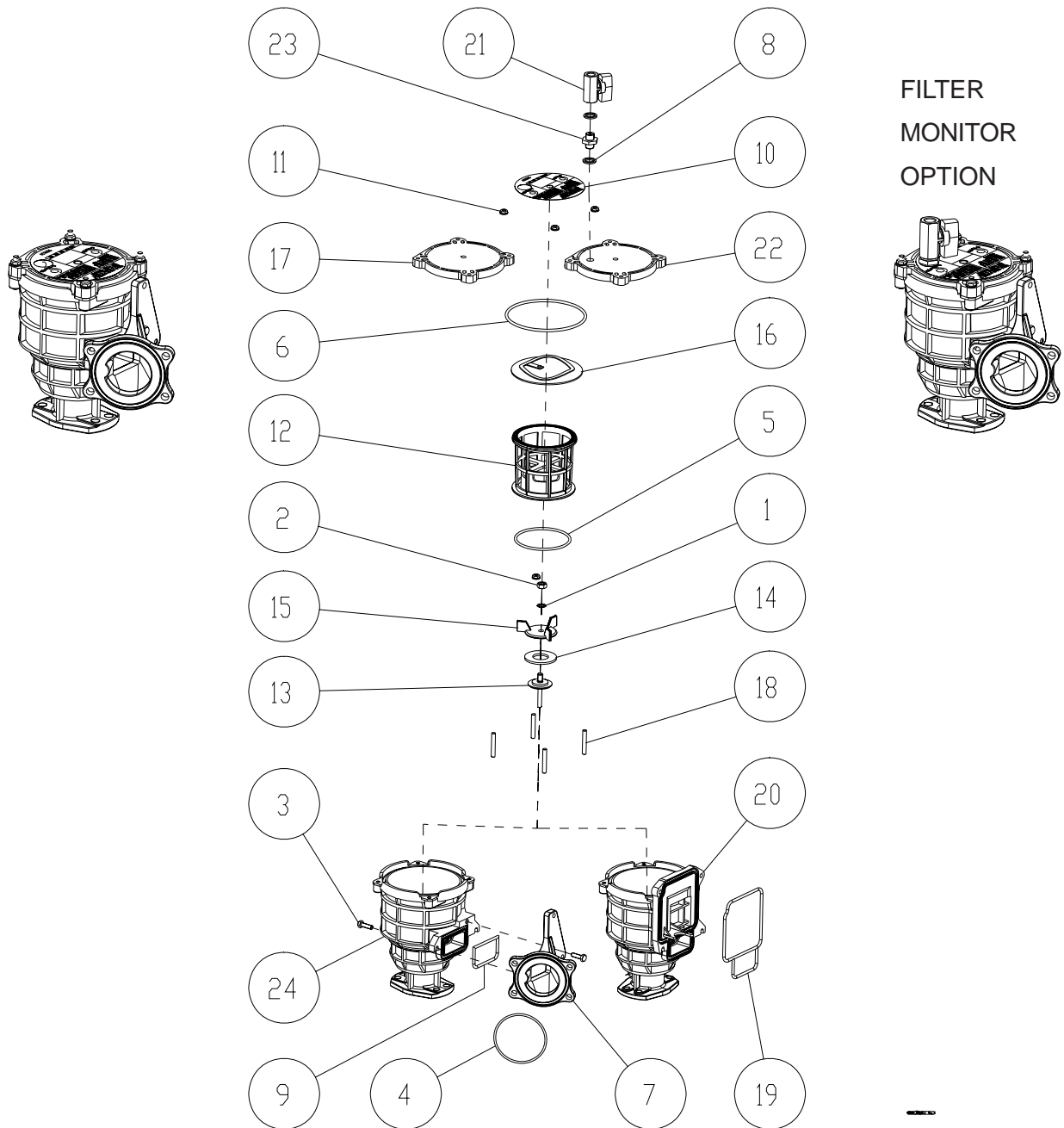
Item No	Description	Désignation Français	Part No	Comments
1	Nut Hex Self Lock M8	Ecrou Bride Autobloquant M8	900013-004	
2	Screw HFHSL M8x25	Vis Hex Br Autobl M8x25	900016-007	
3	Screw HFHSL M8x30	Vis Hex Br Autobl M8x30	900016-008	
4	Screw HFHSL M10x30	Vis Hex Br Autobl M10x30	900016-017	
5	Screw HFHSL M10x40	Vis Hex Br Autobl M10x40	900016-018	
6	Screw HFHSL M8x50	Vis Hex Br Autobl M8x50	900016-022	
7	O-ring 49.00x6.00	Joint Torique 49.00x6.00	900050-028	
8	O-Ring 37,47x5,33	Joint Torique 37,47x5,33 (R28)	900050-047	
9	Shear valve	Raccord Cassant	901108	
10	Flange 1-1/2" 82mm	Bride 1-1/2" 82mm	901320-002	
11	Pipe flex weld assembly	Tube d'aspiration soude	901900	
	Flex Coup 1.5" O'ring P1/3 Q4T	Flex. Conn 1.5 O'ring P1/3 Q4T	904904	Q400T only - 325mm length
	Flex Coup 1.5" O'ring P2/4 Q4T	Flex Conn 1.5" O'ring P2/4 Q4T	904905	Q400T only - 207mm length
12	Flange backing	Contre-bride	901902	
13	Terminal earth cable	Collier de masse D60	901903	
14	Earthwire	Fil de mise a la terre	901904	
15	Gasket - Flange 76-84	Joint de bride 76-84	901905	
16	Flange backing for O-ring	Contre-bride pour joint torique	901906	
17	Assy flexwell 1 1/2" female	Tube d'aspiration soude 1 1/2" femelle	901929	
	Assy flexwell 1/2" female	Tube d'aspiration soude 1 1/2" femelle	906277	Q400T only - 207mm length
	Assy flexwell 1 1/2" female	Tube d'aspiration soude 1 1/2" femelle	906280	Q400T only - 325mm length
	Inst Kit Flex 1 1/2" BSPP 2/4 male	Tube d'aspiration soude BSPP 2/4 male	905092	Q400T only - 281mm length
	Inst Kit Flex 1 1/2" BSPP 1/3 male	Tube d'aspiration soude BSPP 1/3 male	905093	Q400T only - 208mm length

(Cont.)



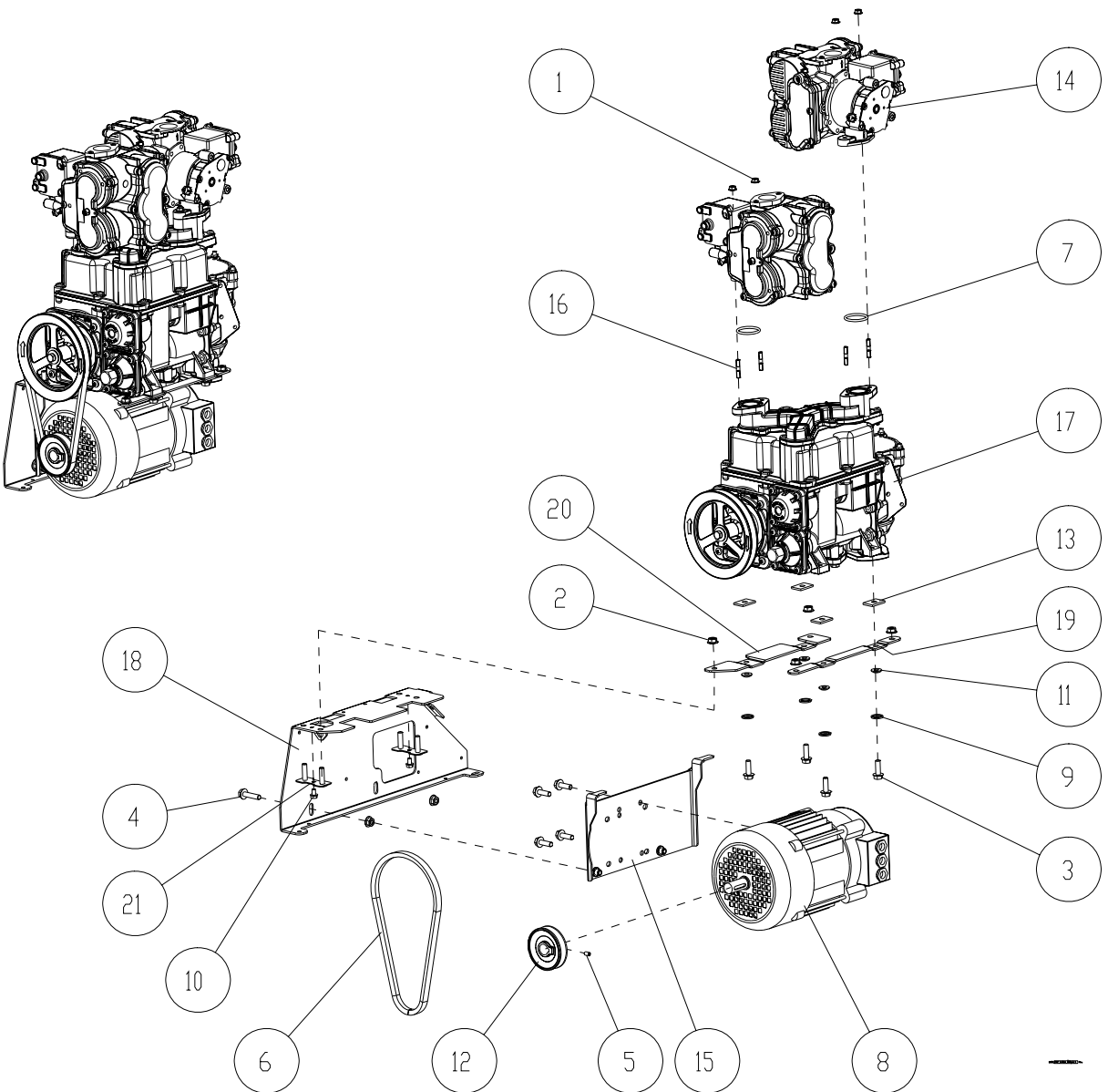
4.1 Flexible Connections (Cont.)

Item No	Description	Désignation Français	Part No	Comments
18	Gasket - Flange 82-110	Joint de bride 82-110	901930	
19	R11/2" x R11/2" Nipple	Machon R11/2" x R11/2"	902212-002	
20	R11/2" x R2" Nipple	Machon R11/2" x R2"	902212-003	
21	Nut - NEFIT coupling	Ecrou raccord NEFIT	902863	
22	Body - NEFIT coupling	Corps raccord NEFIT	902864	
	Body - NEFIT coupling anodised	Corps raccord NEFIT anodisé	943157	Ethanol compliant
23	Washer - NEFIT seal	Rondelle joint NEFIT	902865	
24	Sealing ring - NEFIT coupling	Joint raccord NEFIT	902866	
25	Top Hat Filter (inline)	Filtre "top hat"	902964	UK Option
26	Socket M/F 11/2" x 2"	Machon M/F 11/2" x 2"	903466-001	
27	Junction flange	Bride de jonction	903535	
28	Pipe NEFIT adaptor	Tube connexion NEFIT	903583	
	Pipe NEFIT adaptor Q400T	Tube connexion NEFIT Q400T	904849	Q400T only
	Rigid piping-shear valve pipe	Rigide tuyaux-raccord cassant	907876	Q400T direct connection only
29	1 1/2" Flexwell Pipe Assy 380mm	1 1/2" Flexwell Tube Assy 380mm	906639	
30	Gasket - Flange	Joint de bride	906960	
31	1 1/2" Flange Pipe 380mm	1 1/2" Bride tube 380mm	907008	



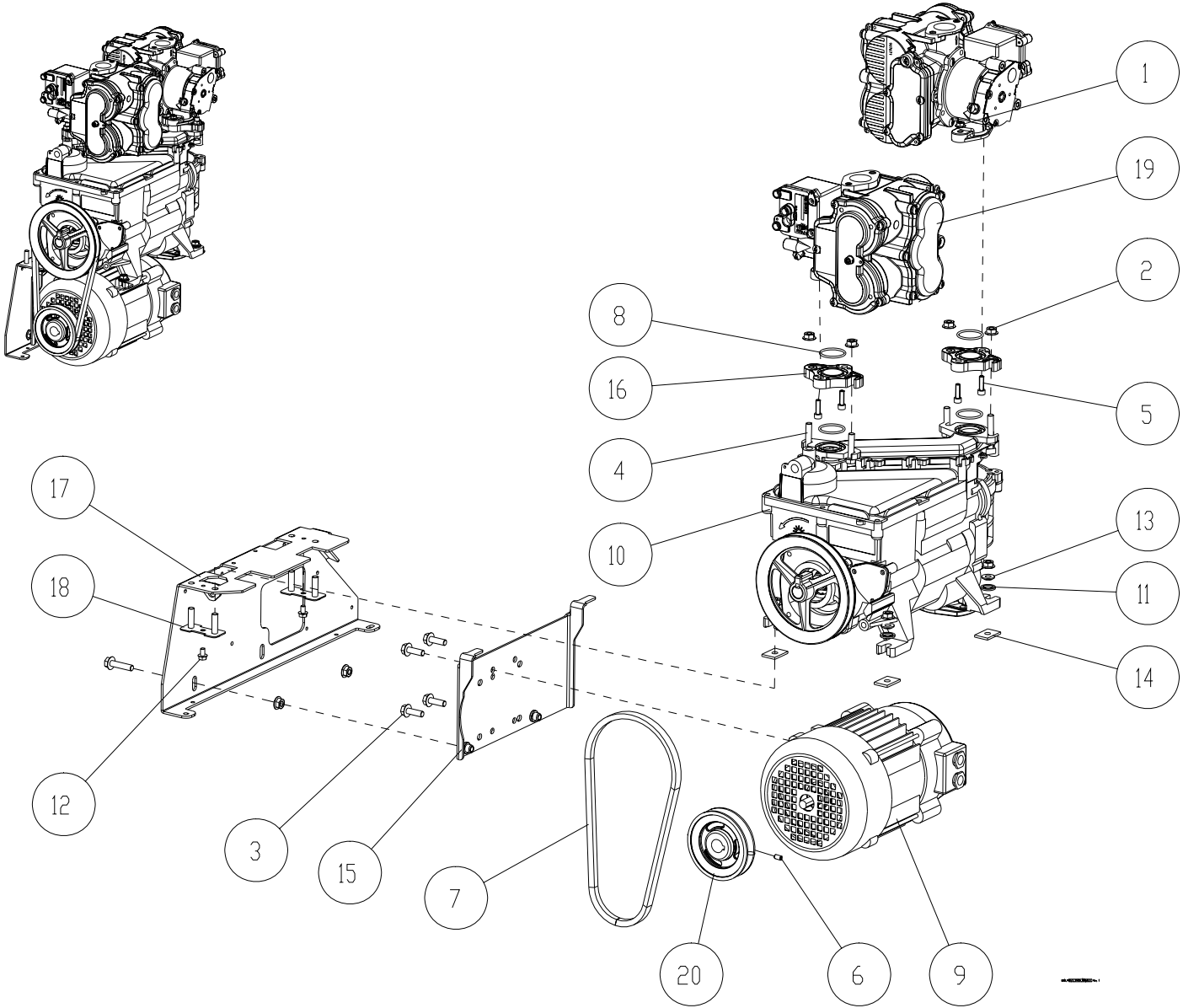
4.2 Filter Assembly

Item No	Description	Désignation Français	Part No	Comments
1	Washer Serr Lock Ext M8	Rondelle a Dents DEC M8	900009-002	
2	Nut Hex M8	Ecrou H M8	900011-003	
3	Screw HH M6x20	Vis H M6x20	900015-010	
4	O-Ring 78,00x3,00	Joint Torique 78,00x3,00	900050-008	EPZ/TQP-RS
5	O-Ring 82,14x3,53	Joint Torique 82,14x3,53	900050-025	
6	O-Ring 120,00x4,00	Joint Torique 120,00x4,00	900050-027	
7	Adaptor EPZ-Filterbox	Adaptateur EPZ-Boite de Filtre	900358	EPZ/TQP-RS
8	Dowty Seal Self Centre 1/4"	Dowty Joint Torique 1/4" BSP	900450-001	Filter monitor option
9	O-ring Filterbox	Joint de Filtre	900635	EPZ/TQP-RS
10	Sticker Filterbox Cover	Autocollant Couvercle Boite de	900636	
11	Nut Hex Serpress M6	Ecrou Serpress M6	901295-001	
12	Filter 90 microns	Filtre 90 microns	901612	Standard
	Filter 25 microns	Filtre 25 microns	901613	Option
	Filter 12 microns	Filtre 12 microns	901614	Option
13	Foot Valve Guide	Guide Clapet	901690	
14	Foot Valve Flat Seal	Joint de Clapet	901691	
15	Foot Valve Head	Tete Clapet	901692	
16	Spring Plate	Plaque supp. equipee	901693	
17	Filter Box Cover	Couvercle Boite de Filtre	901694	
18	Stud M6x40 (18-4-18)	Goujon M6x40 (18-4-18)	901695	
19	O-ring Filterbox Support	Joint Platine BAF	902388	PAS V3/TQP-HS
20	Filterbox	Boite de Filtre	902398	PAS V3/TQP-HS
21	Valve - Ball (Mini)	Vanne Spherique(Mini)	903472-001	Filter monitor option
22	Cover - Adapted Filter Lid	Covercle - Adapte Filter	903473	Filter monitor option
23	Assy - Check Valve	Asm - Clapet Anti-retour	903478	Filter monitor option
24	Filterbox	Boite de Filtre	909769	EPZ/TQP-RS



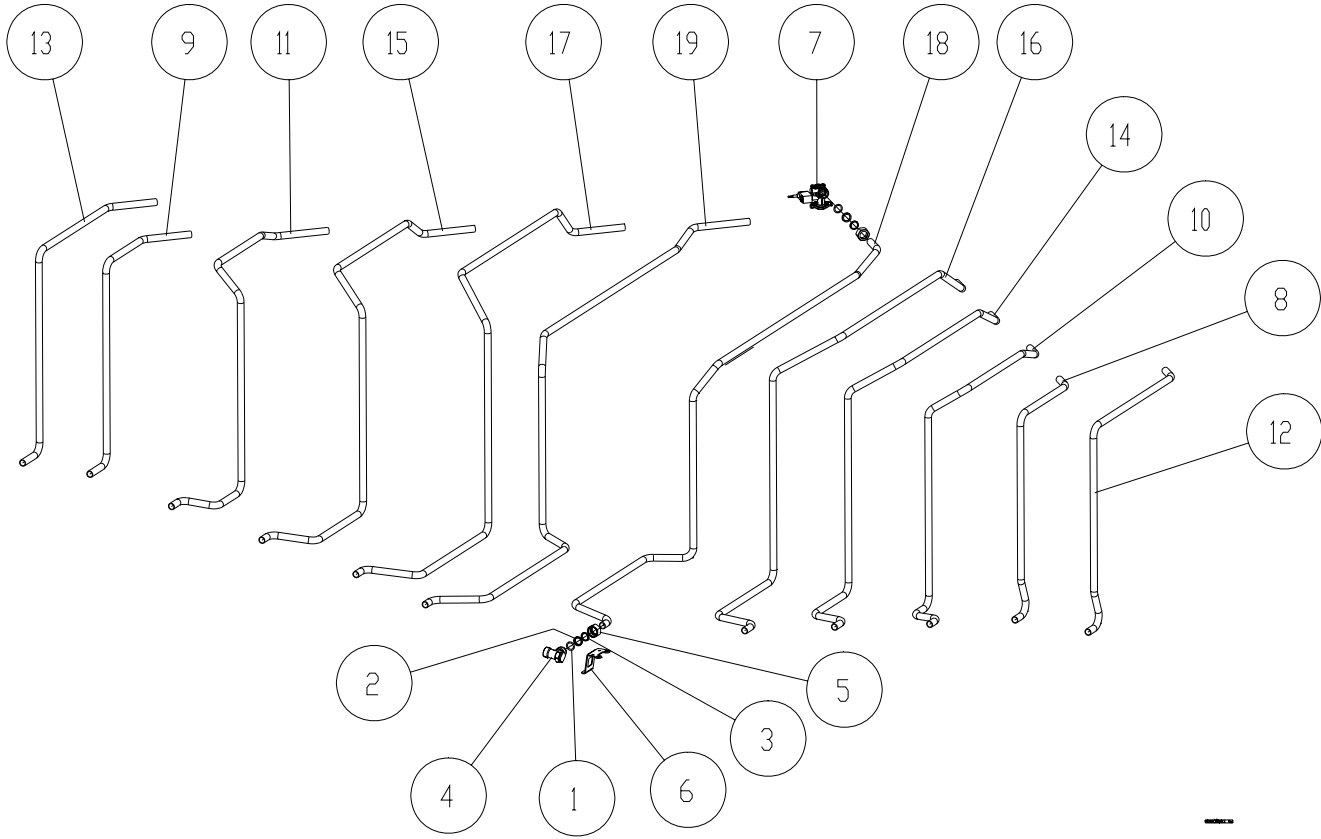
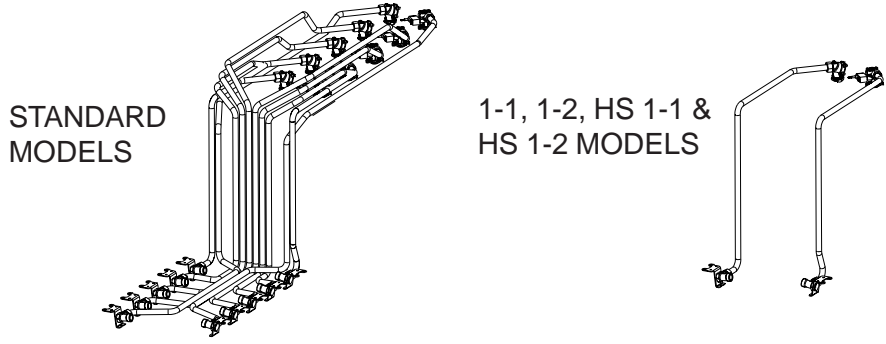
4.3 EPZ Hydraulic Stack Assembly

Item No	Description	Désignation Français	Part No	Comments
1	Nut Hex Self Lock M6	Ecrou Bride Autobloquant M6	900013-003	
2	Nut Hex Self Lock M8	Ecrou Bride Autobloquant M8	900013-004	
3	Screw HFHSL M8x25	Vis Hex Br Autobl M8x25	900016-007	
4	Screw HFHSL M8x35	Vis Hex Br Autobl M8x35	900016-015	
5	Screw HSS Cup Point M6x10	Vis HCCU M6x10	900019-001	
6	V-Belt - 13 x 8 x 684 Lp	Courroie - 13 x 8 x 684 Lp	900028-003	
7	O-Ring 34,10x3,60	Joint Torique 34,10x3,60	900050-019	
8	Motor EXD 0.75kW 240V 50Hz	Mot. EXD 0.75kW 240V 50 Hz	900060-006	
9	Dowty Seal Self Centre 1/4" BSP	Dowty Joint Torique 1/4" BSP	900450-001	
10	Screw HFHTF M6x10	Vis Hex. Taraudeuse M6x10	900708-001	
11	Insulation Sleeve 8.2 mm	Manchon Isolant 8.2 mm	900758-003	
12	Pulley - Motor Datum Ø 68mm	Poulie Moteur Axe Dp68mm	903963	
13	Damper Pump Foot	Assourdisseur de Pompe Pied	905324	
14	Meter TM80 in Line	Meter TM80 en Ligne	945118	Refer to TM80 Manual
15	Bracket Motor Assy	Asm Support Moteur	908803	
16	Stub Threaded specific M6x32	Goujon special M6x32	909271	
17	EPZ Stack Filter Box Assy Std	EPZ Stack Filter Box asm Std	909650-001	
	EPZ Stack Filter Box Assy Low Temp	EPZ Stack Filter Box Assy Low Temp	909650-002	
	EPZ Stack w/o F/Box Assy Std	EPZ Stack w/o F/Box Assy Std	909652-001	
	EPZ Stack w/o F/Box Assy Std Low Temp	EPZ Stack w/o F/Box Assy Std Low Temp	909652-002	
18	Pump Bracket Universal	Support Pompe Universal	942174	
19	Adaptor EPZ75 Uni	Adaptateur EPZ75 Uni	942178	
20	Adaptor EPZ75 Uni B	Adaptateur EPZ75 Uni B	942310	
21	Assy Bracket Stud	Asm Support Goujon	942697	



4.4 PAS V3 Hydraulic Stack Assembly

Item No	Description	Désignation Français	Part No	Comments
1	Nut Hex Self Lock M6	Ecrou Bride Autobloquant M6	900013-003	
2	Nut Hex Self Lock M8	Ecrou Bride Autobloquant M8	900013-004	
3	Screw HFHSL M8x25	Vis Hex Br Autobl M8x25	900016-007	
4	Screw HFHSL M8x35	Vis Hex Br Autobl M8x35	900016-015	
5	Screw HSHC M6x20	Vis CHC M6x20	900017-006	
6	Screw HSS Cup Point M6x10	Vis HCCU M6x10	900019-001	
7	V-Belt - 13 x 8 x 745 Lp	Courroie - 13 x 8 x 745 Lp	900028-004	
8	O-ring 32,0x2,50	Joint Torique 32,0x2,50	900050-045	
9	Motor EXD 3phase DELTA Connection	Moteur EXD 3phase DELTA Con	900068-002	80L PASV3 only
	Motor EXD 3phase DELTA Connection	Moteur EXD 3phase DELTA Con	900068-003	130L PASV3 only
	Motor EXD 3phase STAR Connection	Moteur EXD 3phase STAR Con	900060-002	80L PASV3 only
	Motor EXD 3phase STAR Connection	Moteur EXD 3phase STAR Con	900060-003	130L PASV3 only
10	PASV3 Pump	PASV3 Pompe	900359	
11	Dowty Seal Self Centre 1/4" BSP	Dowty Joint Torique 1/4" BSP	900450-001	
12	Screw HFHTF M6x10	Vis Hex. Taraudeuse M6x10	900708-001	
13	Insulation Sleeve 8.2 mm	Manchon Isolant 8.2 mm	900758-003	
14	Damper Pump Foot	Assourdisseur de Pompe Pied	905324	
15	Motor Bracket Assy	Asm Support Moteur	908803	
16	Meter Flange SM80/V3	Contre Bride SM80/V3	908927	
17	Pump Bracket Universal	Support Pompe Universal	942174	
18	Assy Bracket Stud	Asm Support Goujon	942697	
19	TM80 MPT1 PTFE BS Inline	TM80 MPT1 PTFE BS Inline	945118	Refer to TM80 Manual
20	Pulley Dp 95	Poulie Dp 95	901768	80L PASV3 only
	Pulley Dp 71	Poulie Dp 71	901769	130L PASV3 only

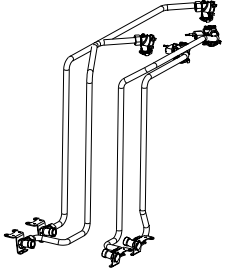


4.5 Pipe Assemblies

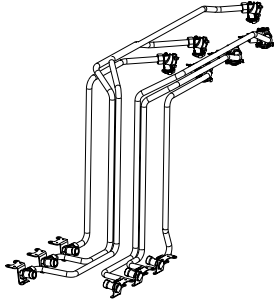
4.5.1 STANDARD & HS 1-2 MODELS

Item No	Description	Désignation Français	Part No	Comments
1	O-Ring 21,82x3,53	Joint Torique 21,82x3,53	900050-001	
2	Pressure Ring	Bague De Pression	900523	
3	Fixing Spring Ring 22mm	Bague De Pression 22mm	900525	
4	Standard Hose Adapter	Apdaptateur Standard pour Flexib	901531	
5	Pressure Nut 22 mm Brass	Ecrou Pression 22mm Laiton	901858	
6	Bracket Roller/Adapter Combined	Support Combiné Rouleau/Adapt.	906647	
7	Valve & Fittings	Valve & Fittings	-	Refer to Valve & Fittings Assemblies
8	Pipe Mtr A1 / Col A1 22mm	Tube Mtr A1 / Col A1 22mm	944881	
9	Pipe Mtr B1 / Col B1 22mm	Tube Mtr B1 / Col B1 22mm	944882	
10	Pipe Mtr A2/ Col A2 22mm	Tube Mtr A2/ Col A2 22mm	944883	
11	Pipe Mtr B2/ Col B2 22mm	Tube Mtr B2/ Col B2 22mm	944884	
12	Pipe Mtr A2/ col A1 22mm	Tube Mtr A2/ Col A1 22mm	944885	1-1R & 1-2 only
	Pipe Mtr A2/ col A1 22mm	Tube Mtr A2/ Col A1 22mm	945046	HS 1-1R & HS 1-2 only
13	Pipe Mtr B2/ Col B1 22mm	Tube Mtr B2/ Col B1 22mm	944886	1-1L & 1-2 only
	Pipe Mtr B2/ Col B1 22mm	Tube Mtr B2/ Col B1 22mm	945051	HS 1-1L & HS 1-2 only
14	Pipe Mtr A3/ Col A3 22mm	Tube Mtr A3/ Col A3 22mm	944887	
15	Pipe Mtr 3B/ Col B3 22mm	Tube Mtr B3/ Col B3 22mm	944888	
16	Pipe Mtr A4/ Col A4 22mm	Tube Mtr A4/ Col A4 22mm	944889	
17	Pipe Mtr B4/ Col B4 22mm	Tube Mtr B4/ Col B4 22mm	944890	
18	Pipe Mtr 5A/Col 5A 22mm	Tube Mtr 5A/Col 5A 22mm	945037	5-10 only
19	Pipe Mtr 5B/Col 5B 22mm	Tube Mtr 5B/Col 5B 22mm	945038	5-10 only

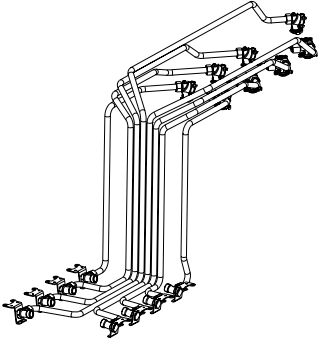
THS 2-4



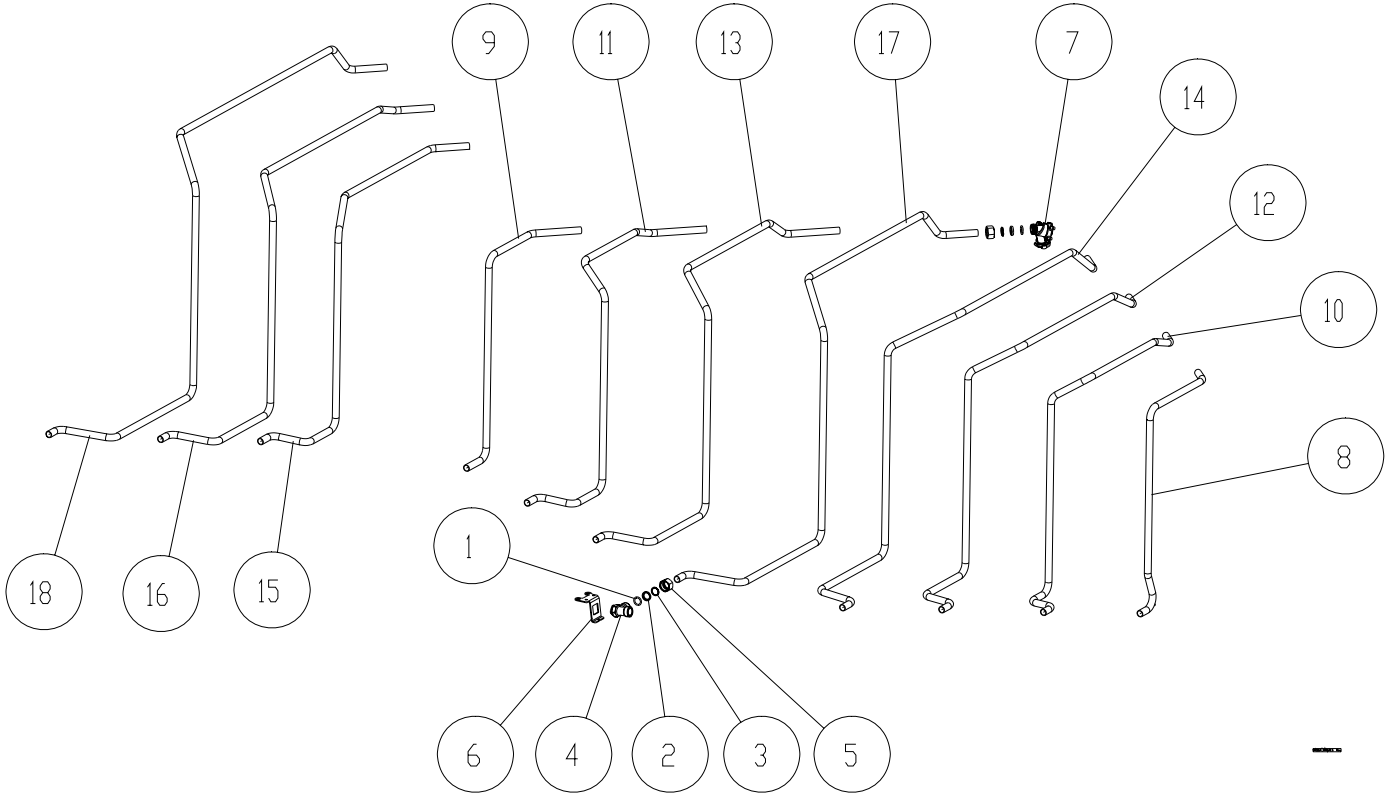
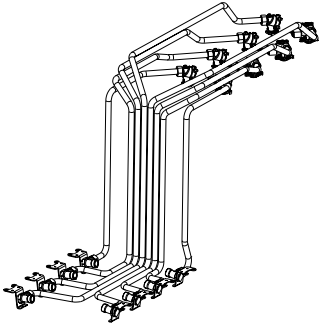
THS 3-6



HS 5-8

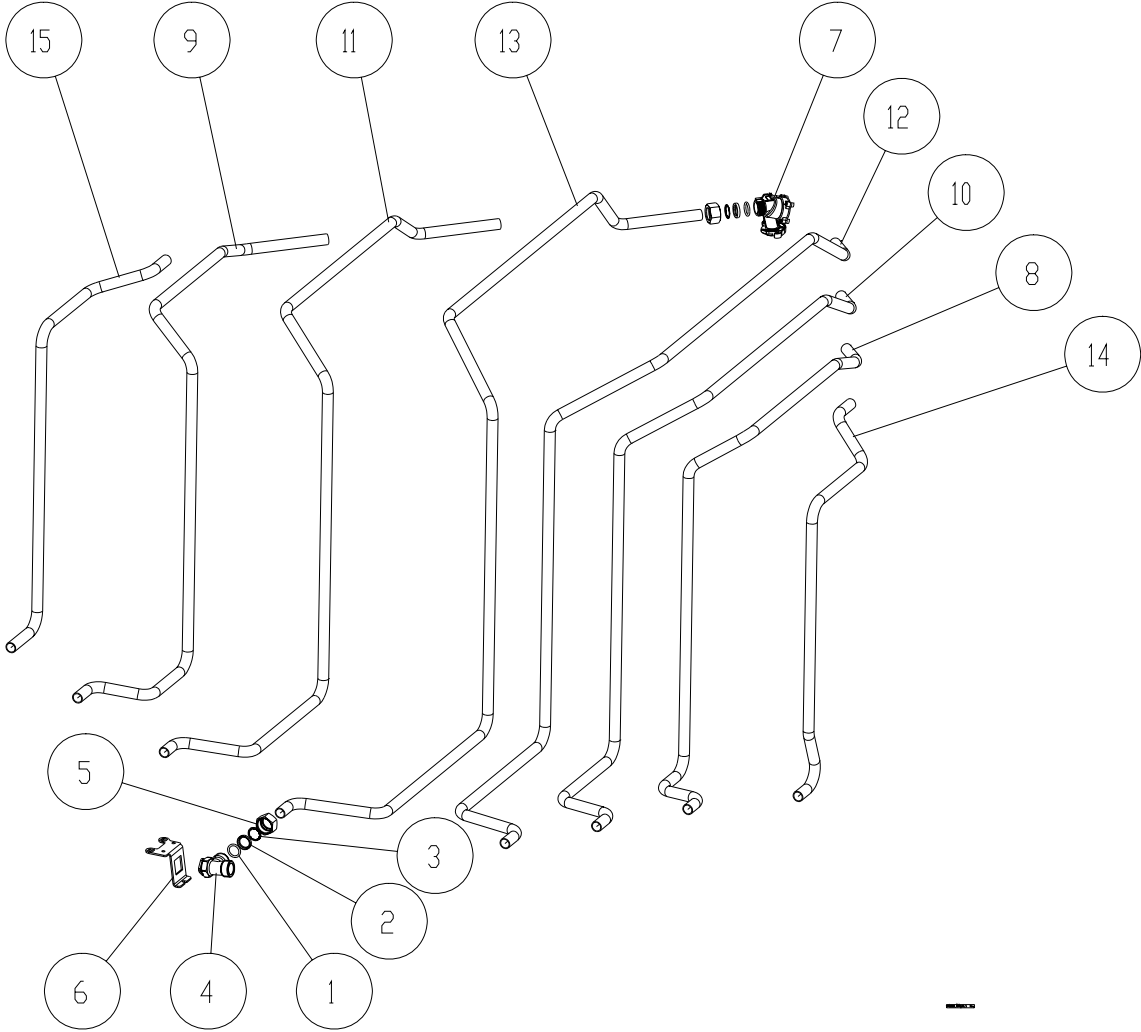


STANDARD HS MODELS

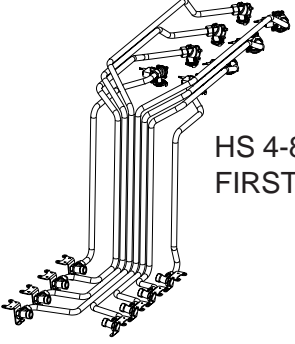


4.5.2 MODELS HS 2-2, HS 2-4, HS 3-3, HS 3-6, HS 4-4, HS 4-8, HS 5-8, THS 2-4, THS 3-6

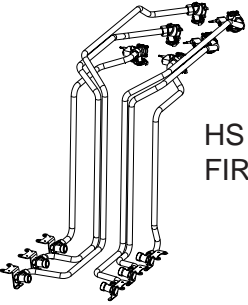
Item No	Description	Désignation Français	Part No	Comments
1	O-Ring 21,82x3,53	Joint Torique 21,82x3,53	900050-001	
2	Pressure Ring	Bague De Pression	900523	
3	Fixing Spring Ring 22mm	Bague De Pression 22mm	900525	
4	Standard Hose Adapter	Apdaptateur standard pour...	901531	
5	Pressure Nut 22 mm Brass	Ecrou Pression 22mm Laito...	901858	
6	Bracket Roller/Adapter co...	Support Combiné Rouleau/A...	906647	
7	Valve & Fittings	Valve & Fittings	-	Refer to Valve & Fittings Assemblies
8	Pipe Mtr A1 / Col A1 22mm	Tube Mtr A1 / Col A1 22mm	944881	
9	Pipe Mtr B1 / Col B1 22mm	Tube Mtr B1 / Col B1 22mm	944882	
10	Pipe Mtr A2/ Col A2 22mm	Tube Mtr A2/ Col A2 22mm	944883	HS 2-4 & THS 2-4 only
	Pipe Mtr A2/ Col A2 22mm	Tube Mtr A2/ Col A2 22mm	945047	
11	Pipe Mtr B2/ Col B2 22mm	Tube Mtr B2/ Col B2 22mm	944884	HS 2-4 only
	Pipe Mtr B2/ Col B2 22mm	Tube Mtr B2/ Col B2 22mm	945052	
12	Pipe Mtr A3/ Col A3 22mm	Tube Mtr A3/ Col A3 22mm	944887	HS 3-6 & THS 3-6 only
	Pipe Mtr A3/ Col A3 22mm	Tube Mtr A3/ Col A3 22mm	945048	
13	Pipe Mtr 3B/ Col B3 22mm	Tube Mtr B3/ Col B3 22mm	944888	HS 3-6 only
	Pipe Mtr 3B/ Col B3 22mm	Tube Mtr B3/ Col B3 22mm	945054	
14	Pipe Mtr A4/ Col A4 22mm	Tube Mtr A4/ Col A4 22mm	945049	
15	Pipe Mtr B3/ Col B2 22mm	Tube Mtr B3/ Col B2 22mm	945053	THS 2-4 only
16	Pipe Mtr B4/ Col B3 22mm	Tube Mtr B4/ Col B3 22mm	945055	THS 3-6 only
17	Pipe Mtr B4/ Col B4 22mm	Tube Mtr B4/ Col B4 22mm	945056	
18	Pipe Mtr B5/ Col B4 22mm	Tube Mtr B5/ Col B4 22mm	945057	HS 5-8 only



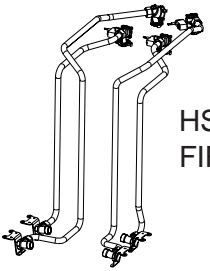
HS 4-8 ON
FIRST COLUMN



HS 3-6 ON
FIRST COLUMN

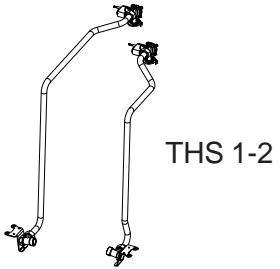
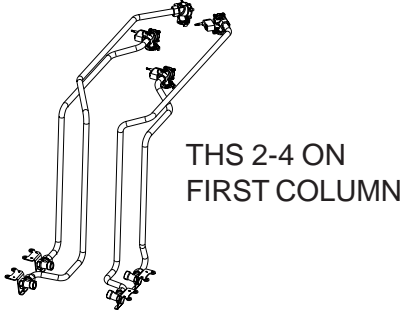
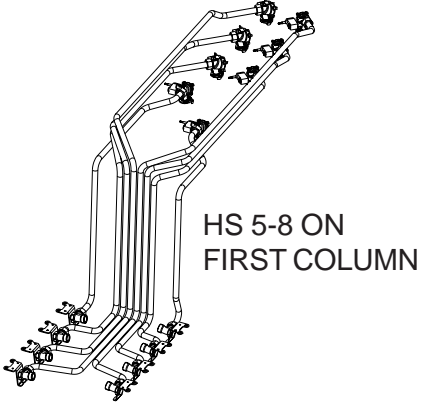
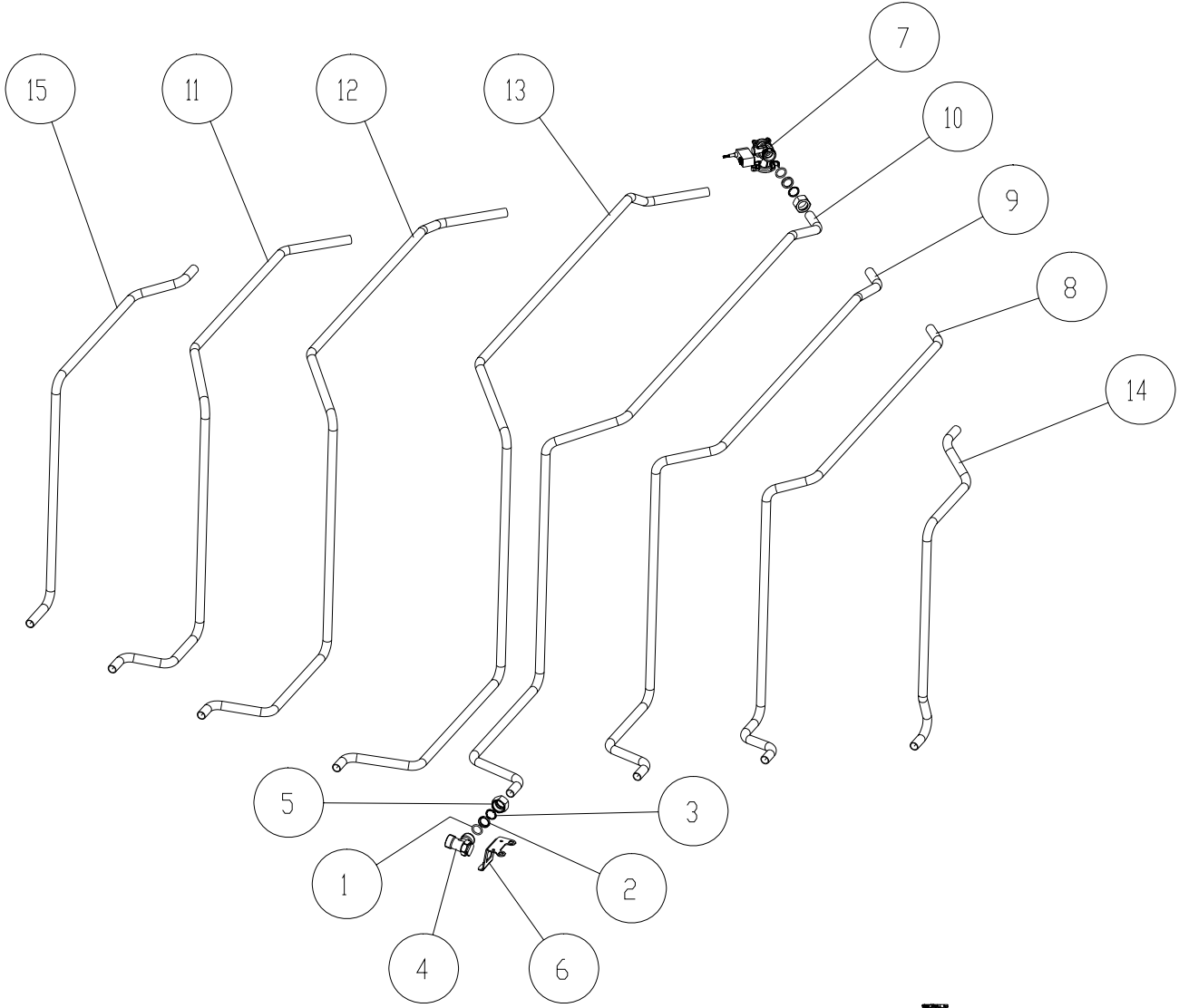


HS 2-4 ON
FIRST COLUMN



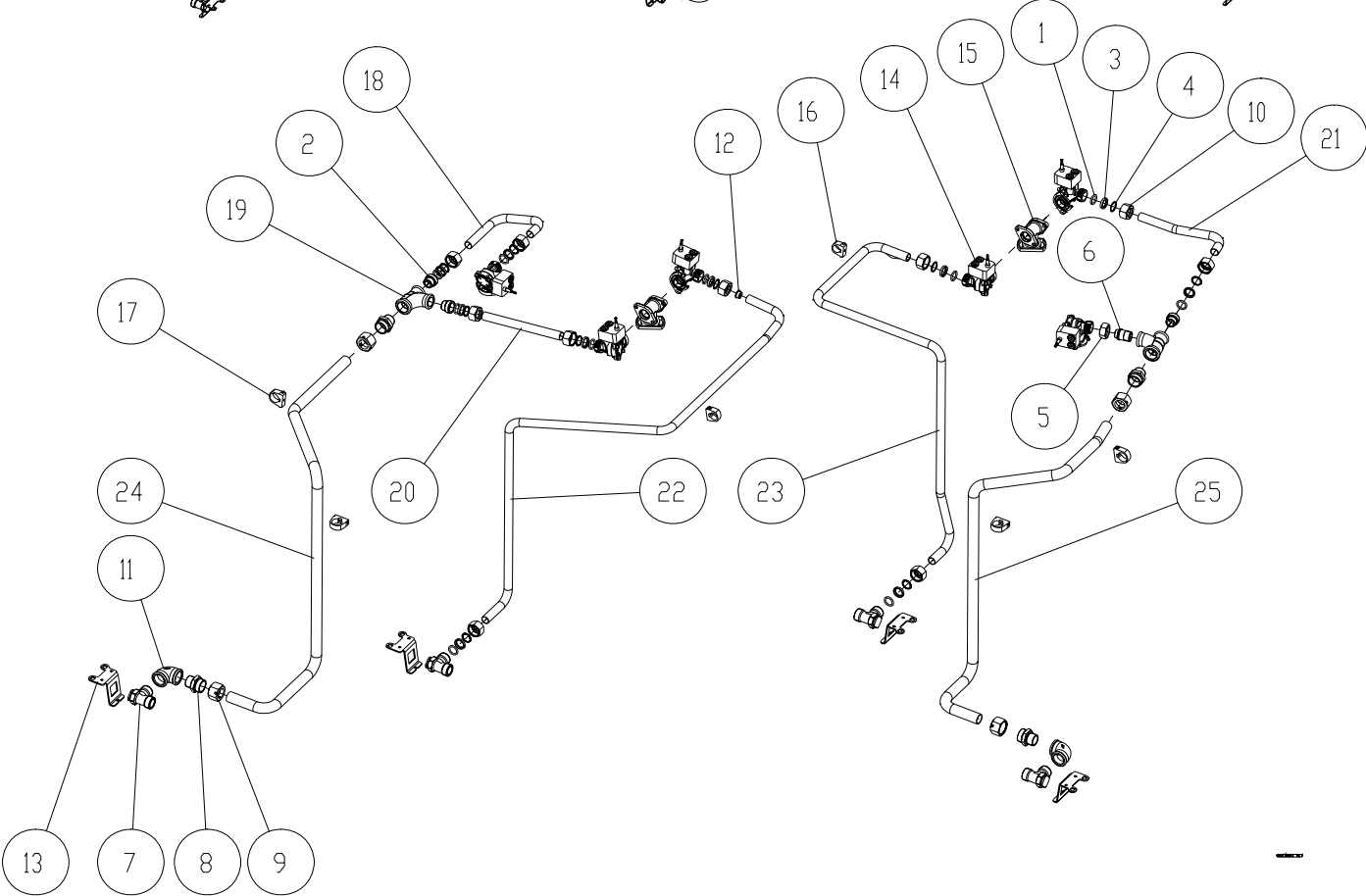
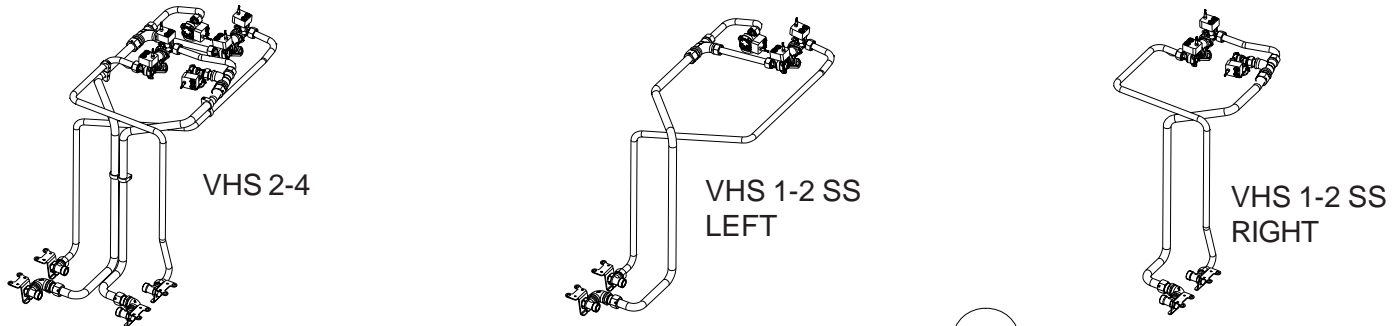
4.5.3 HIGH SPEED ON FIRST COLUMN - MODELS HS 2-4, HS 3-6 & HS 4-8

Item No	Description	Désignation Français	Part No	Comments
1	O-Ring 21,82x3,53	Joint Torique 21,82x3,53	900050-001	
2	Pressure Ring	Bague De Pression	900523	
3	Fixing Spring Ring 22mm	Bague De Pression 22mm	900525	
4	Standard Hose Adapter	Apdaptateur standard pour Flexib	901531	
5	Pressure Nut 22 mm Brass	Ecrou Pression 22mm Laiton	901858	
6	Bracket Roller/Adapter Combined	Support Combiné Rouleau/Adaptat.	906647	
7	Valve & Fittings	Valve & Fittings	-	Refer to Valve & Fittings Assemblies
8	Pipe Mtr A2/ Col A2 22mm	Tube Mtr A2/ Col A2 22mm	944883	
9	Pipe Mtr B2/ Col B2 22mm	Tube Mtr B2/ Col B2 22mm	944884	
10	Pipe Mtr A3/ Col A3 22mm	Tube Mtr A3/ Col A3 22mm	944887	
11	Pipe Mtr 3B/ Col B3 22mm	Tube Mtr B3/ Col B3 22mm	944888	
12	Pipe Mtr A4/ Col A4 22mm	Tube Mtr A4/ Col A4 22mm	944889	
13	Pipe Mtr B4/ Col B4 22mm	Tube Mtr B4/ Col B4 22mm	944890	
14	Pipe Mtr A1 / Col A1 22mm	Tube Mtr A1 / Col A1 22mm	945045	
15	Pipe Mtr B1/ Col B1 22mm	Tube Mtr B1/ Col B1 22mm	945050	



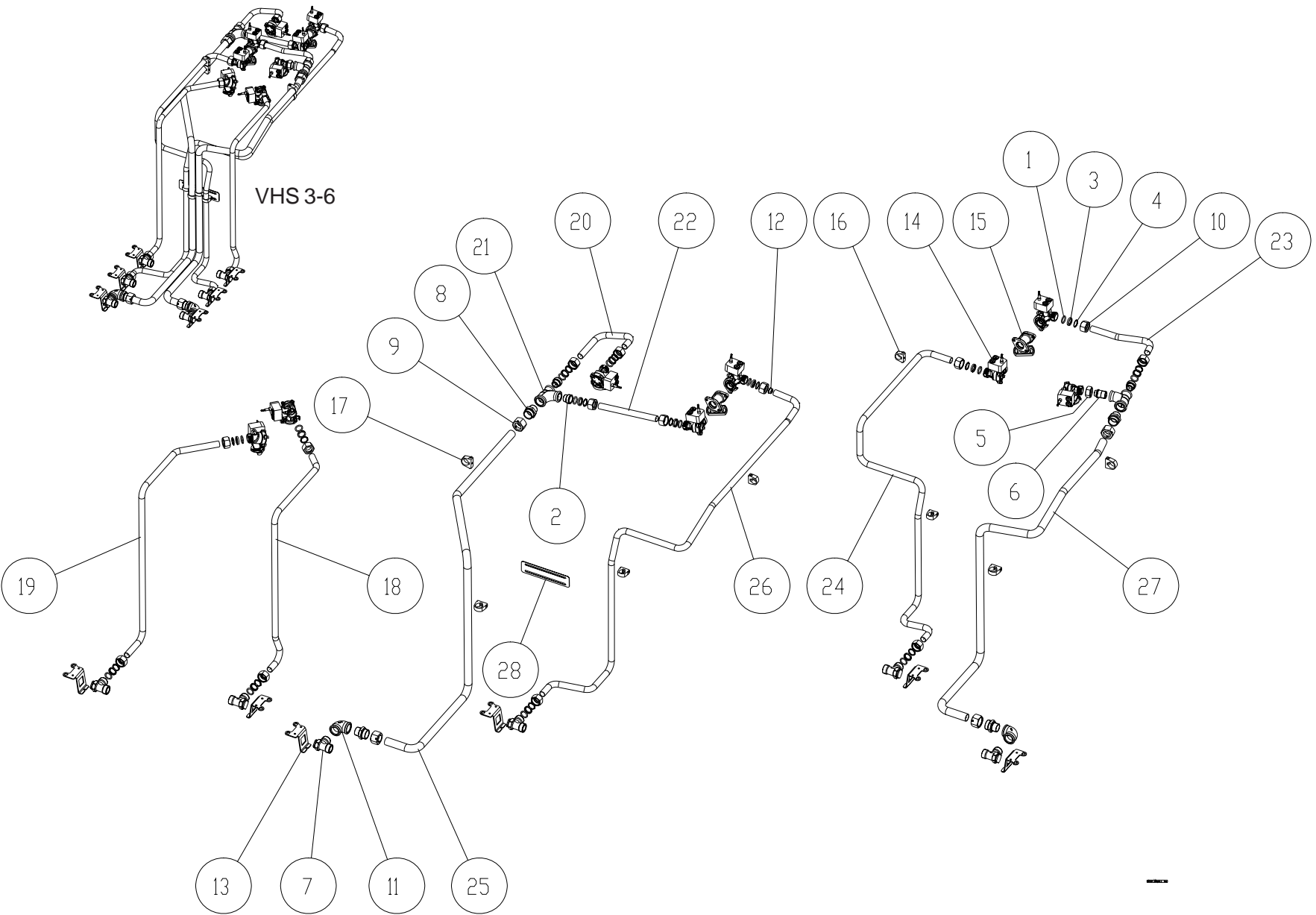
4.5.4 MODEL THS 1-2 & HIGH SPEED ON FIRST COLUMN - MODELS HS 5-8 & THS 2-4

Item No	Description	Désignation Français	Part No	Comments
1	O-Ring 21,82x3,53	Joint Torique 21,82x3,53	900050-001	
2	Pressure Ring	Bague De Pression	900523	
3	Fixing Spring Ring 22mm	Bague De Pression 22mm	900525	
4	Standard Hose Adapter	Apdaptateur Standard pour Flexib	901531	
5	Pressure Nut 22 mm Brass	Ecrou Pression 22mm Laiton	901858	
6	Bracket Roller/Adapter Combined	Support Combiné Rouleau/Adaptat.	906647	
7	Valve & Fittings	Valve & Fittings	-	Refer to Valve & Fittings Assemblies
8	Pipe Mtr A3/ Col A2 22mm	Tube Mtr A3/ Col A2 22mm	945039	
9	Pipe Mtr A4/ Col A3 22mm	Tube Mtr A4/ Col A3 22mm	945040	HS 5-8 only
10	Pipe Mtr A5/ Col A4 22mm	Tube Mtr A5/ Col A4 22mm	945041	HS 5-8 only
11	Pipe Mtr B3/ Col B2 22mm	Tube Mtr B3/ Col B2 22mm	945042	
12	Pipe Mtr B4/ Col B3 22mm	Tube Mtr B4/ Col B3 22mm	945043	HS 5-8 only
13	Pipe Mtr B5/ Col B4 22mm	Tube Mtr B5/ Col B4 22mm	945044	HS 5-8 only
14	Pipe Mtr A1 / Col A1 22mm	Tube Mtr A1 / Col A1 22mm	945045	
15	Pipe Mtr B2/ Col B1 22mm	Tube Mtr B2/ Col B1 22mm	945051	



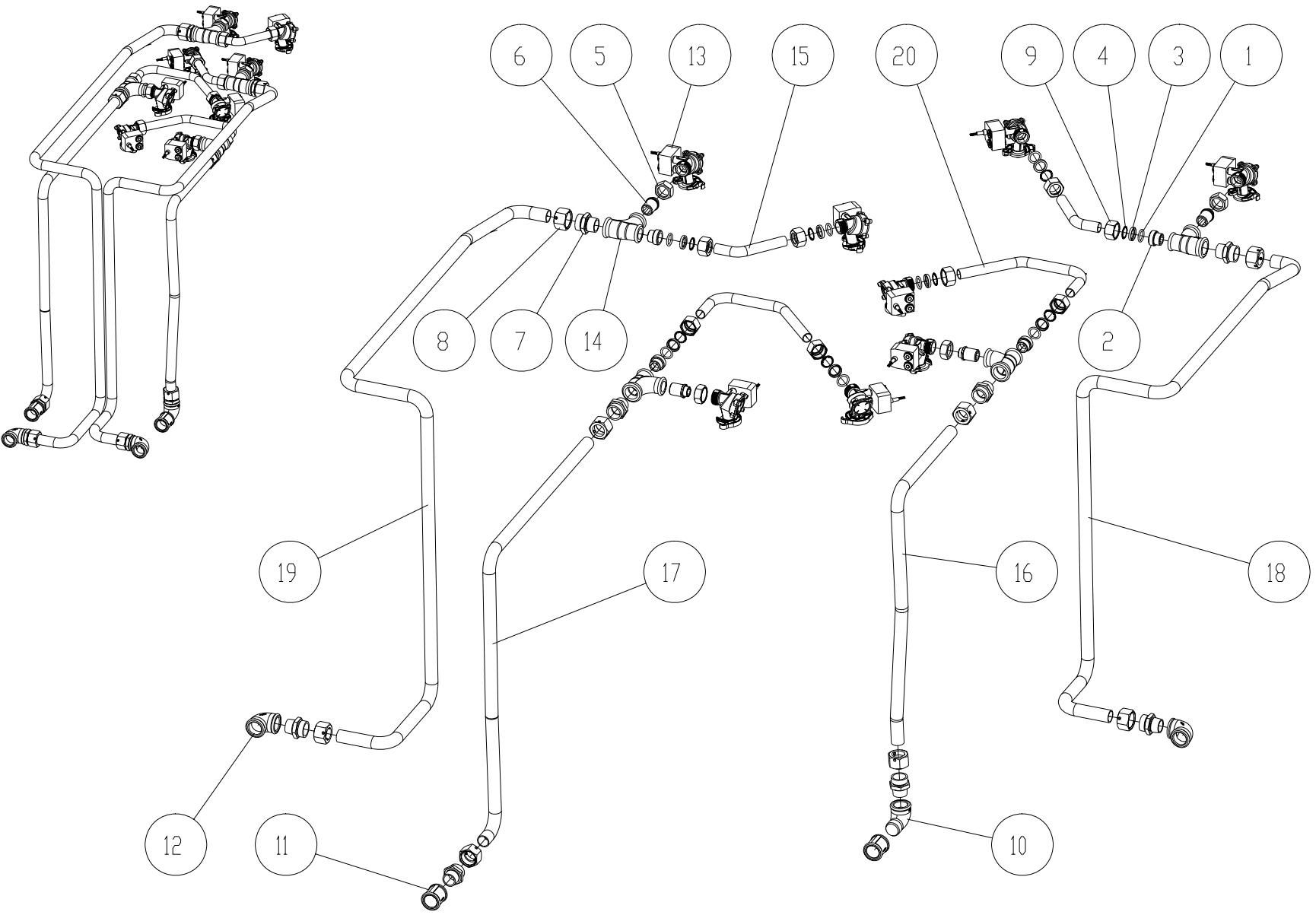
4.5.5 MODELS VHS 1-2 SINGLE SIDED & VHS 2-4

Item No	Description	Désignation Français	Part No	Comments
1	O-Ring 21,82x3,53	Joint Torique 21,82x3,53	900050-001	
2	Nipple 22mm G1"-G3/4"	Douille 22mm G1	900416	
3	Pressure Ring	Bague De Pression	900523	
4	Fixing Spring Ring 22mm	Bague De Pression 22mm	900525	
5	PRESSURE NUT G1"	Ecrou G1"	900791	
6	Nipple Coupling	Raccord Mamelon	900792	
7	Standard Hose Adapter	Apdaptateur Standard pour Flexib	901531	
8	Nipple 28mm M36x2-R1"	Douille 28mm M36x2-R1"	901767	
9	Pressure Nut 28mm Pipe	Ecrou de Pression Tube 28mm	901770	
10	Pressure Nut 22 mm Brass	Ecrou Pression 22mm Laiton	901858	
11	Elbow 1" F - 1"F galv.	Coude 1" F - 1" F galv.	902084-002	
12	Flow Reducing Ring dia 8.0mm	Reducteur Debit dia 8.0mm	902283	
13	Bracket Roller/Adapter Combined	Support Combiné Rouleau/Adaptat.	906647	
14	Valve & Fittings	Valve & Fittings	-	Refer to Valve & Fittings Assemblies
15	Tee Connection Valvebox F/F/F	Raccord Te F-F-F Electrov	940300	
16	Bracket TALON Diam. 22	Support TALON Diam. 22	941947	
17	Bracket TALON Diam. 28	Support TALON Diam. 28	941948	
18	Pipe MtrB2 ColB2 VHS2-4	Tube MtrB2 ColB2 VHS2-4	945032	
19	T 3/4"-3/4"-1" Female Thread	Raccord Te 3/4"-3/4"-1" Filet Fem	945101	
20	Pipe MtrA2 ColB2 VHS2-4	Tube MtrA2 ColB2 VHS2-4	945104	
21	Pipe MtrB1 ColA2 VHS2-4	Tube MtrB1 ColA2 VHS2-4	945105	
22	Pipe MtrA2 ColB1 VHS2-4	Tube MtrA2 ColB1 VHS2-4	945125	
23	Pipe MtrB1 ColA1 VHS2-4	Tube MtrB1 ColA1 VHS2-4	945131	
24	Pipe MtrA2B2 ColB2 VHS2-4	Tube MtrA2B2 ColB2 VHS2-4	945132	
25	Pipe MtrA1B1 ColA2 VHS2-4	Tube MtrA1B1 ColA2 VHS2-4	945133	



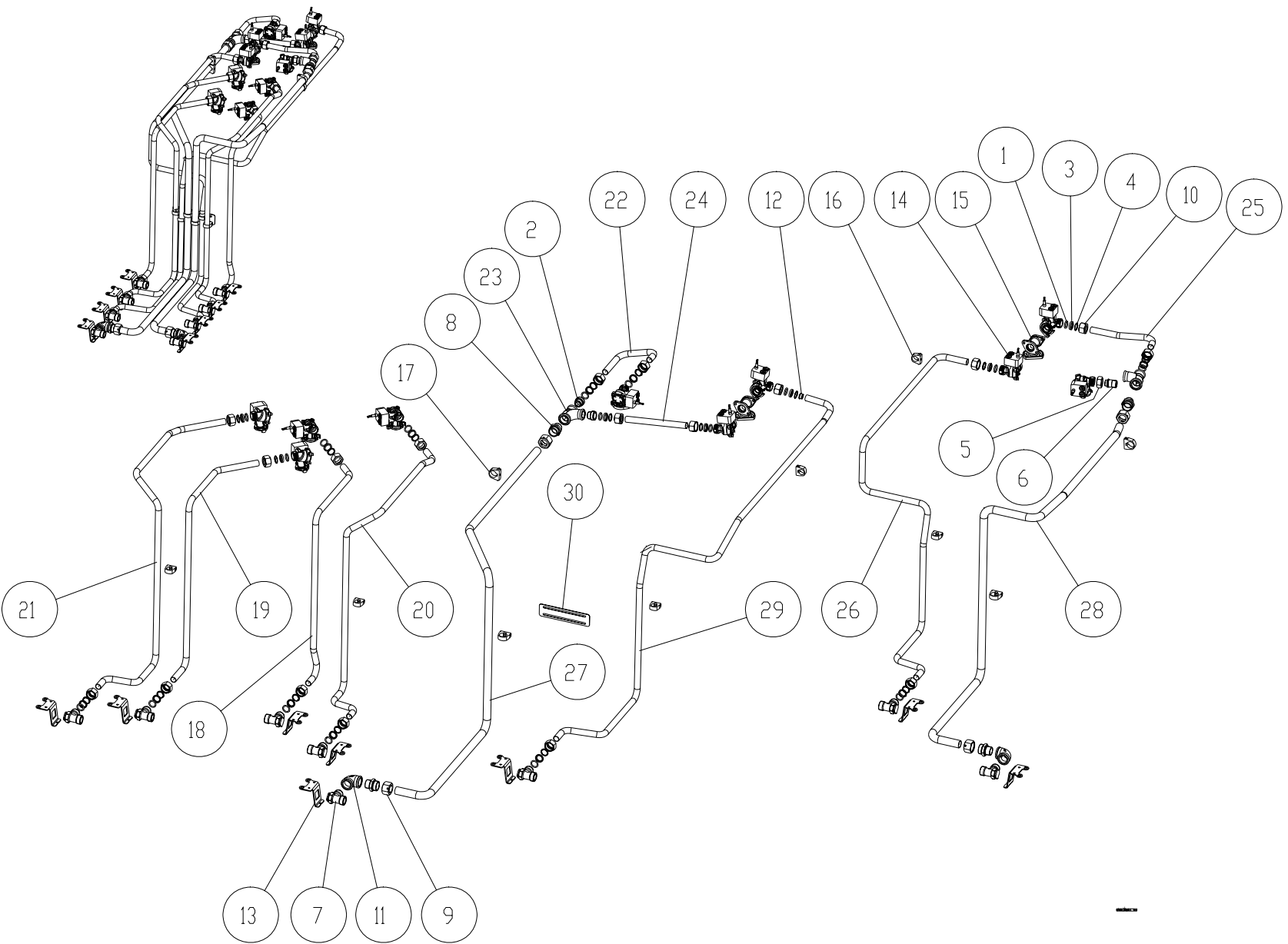
4.5.6 MODEL VHS 3-6

Item No	Description	Désignation Français	Part No	Comments
1	O-Ring 21,82x3,53	Joint Torique 21,82x3,53	900050-001	
2	Nipple 22mm G1"-G3/4"	Douille 22mm G1	900416	
3	Pressure Ring	Bague De Pression	900523	
4	Fixing Spring Ring 22mm	Bague De Pression 22mm	900525	
5	PRESSURE NUT G1"	Ecrou G1"	900791	
6	Nipple Coupling	Raccord Mamelon	900792	
7	Standard Hose Adapter	Apdaptateur Standard pour Flexib	901531	
8	Nipple 28mm M36x2-R1"	Douille 28mm M36x2-R1"	901767	
9	Pressure Nut 28mm Pipe	Ecrou de Pression Tube 28mm	901770	
10	Pressure Nut 22 mm Brass	Ecrou Pression 22mm Laiton	901858	
11	Elbow 1" F - 1"F galv.	Coude 1" F - 1" F galv.	902084-002	
12	Flow Reducing Ring dia 8.0mm	Reducteur Debit dia 8.0mm	902283	
13	Bracket Roller/Adapter Combined	Support Combiné Rouleau/Adaptat.	906647	
14	Valve & Fittings	Valve & Fittings	-	Refer to Valve & Fittings Assemblies
15	Tee Connection Valvebox F/F/F	Raccord Te F-F-F Electrov	940300	
16	Bracket TALON Diam. 22	Support TALON Diam. 22	941947	
17	Bracket TALON Diam. 28	Support TALON Diam. 28	941948	
18	Pipe Mtr A1 / Col A1 22mm	Tube Mtr A1 / Col A1 22mm	944881	
19	Pipe Mtr B1 / Col B1 22mm	Tube Mtr B1 / Col B1 22mm	944882	
20	Pipe MtrB2 ColB2 VHS2-4	Tube MtrB2 ColB2 VHS2-4	945032	
21	T 3/4"-3/4"-1" Female Thread	Raccord Te 3/4"-3/4"-1" Filet Fem	945101	
22	Pipe MtrA2 ColB2 VHS2-4	Tube MtrA2 ColB2 VHS2-4	945104	
23	Pipe MtrB1 ColA2 VHS2-4	Tube MtrB1 ColA2 VHS2-4	945105	
24	Pipe MtrB2 ColA2 VHS3-6	Tube MtrB2 ColA2 VHS3-6	945121	
25	Pipe MtrA3B3 ColB3 VHS3-6	Tube MtrA3B3 ColB3 VHS3-6	945122	
26	Pipe MtrA3 ColB2 VHS3-6	Tube MtrA3 ColB2 VHS3-6	945123	
27	Pipe MtrA2B2 ColA3 VHS3-6	Tube MtrA2B2 ColA3 VHS3-6	945124	
28	Bracket for Pipe's Clip	Support Clip Tubes	945438	



4.5.7 MODEL VHS 4-4

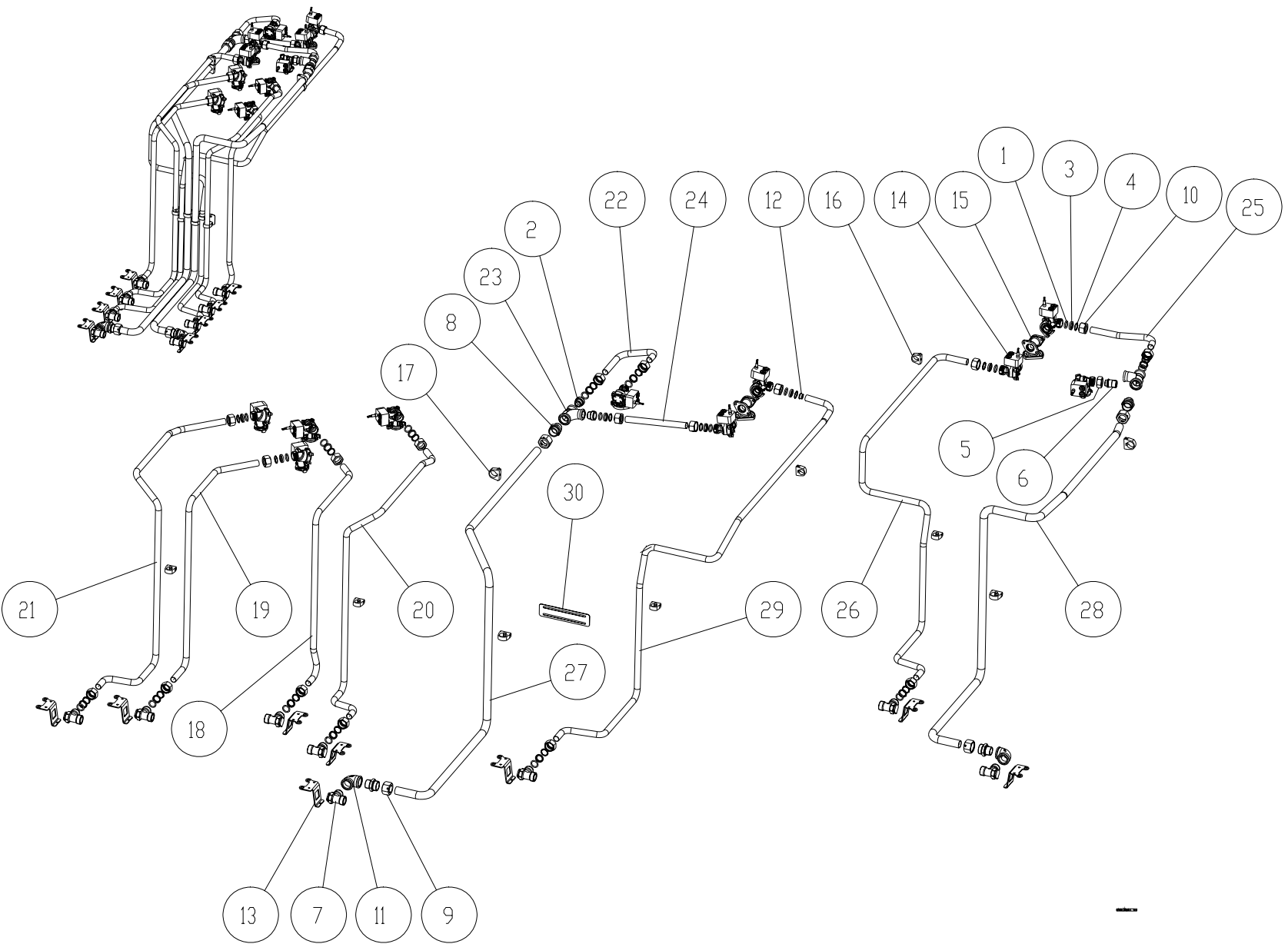
Item No	Description	Désignation Français	Part No	Comments
1	O-Ring 21,82x3,53	Joint Torique 21,82x3,53	900050-001	
2	Nipple 22mm G1"-G3/4"	Douille 22mm G1	900416	
3	Pressure Ring	Bague De Pression	900523	
4	Fixing Spring Ring 22mm	Bague De Pression 22mm	900525	
5	PRESSURE NUT G1"	Ecrou G1"	900791	
6	Nipple Coupling	Raccord Mamelon	900792	
7	Nipple 28mm M36x2-R1"	Douille 28mm M36x2-R1"	901767	
8	Pressure Nut 28mm Pipe	Ecrou de Pression Tube 28mm	901770	
9	Pressure Nut 22 mm Brass	Ecrou Pression 22mm Laiton	901858	
10	Elbow 1" M_F	Coude 1" M_F	901866-001	
11	Manchon G1"	Manchon G1"	901867-001	
12	Elbow 1" F - 1"F galv.	Coude 1"F - 1"F galv.	902084-002	
13	Valve & Fittings	Valve & Fittings	-	Refer to Valve & Fittings Assemblies
14	T 3/4"-3/4"-1" Female Thread	Raccord Te 3/4"-3/4"-1" Filet Fem	945101	
15	Pipe MtrA4B5 ColA4B4 SVHS5-8	Tube MtrA4B5 ColA4B4 SVHS5-8	945114	
16	Pipe MtrA1B1 ColA1 VHS4-4	Tube MtrA1B1 ColA1 VHS4-4	945846	
17	Pipe MtrA2B2 ColB1 VHS4-4	Tube MtrA2B2 ColB1 VHS4-4	945847	
18	Pipe MtrA3B3 ColA2 VHS4-4	Tube MtrA3B3 ColA2 VHS4-4	945848	
19	Pipe MtrA4B4 ColB2 VHS4-4	Tube MtrA4B4 ColB2 VHS4-4	945849	
20	Pipe MtrAB1AB2 ColA1B1 VHS4-4	Tube MtrAB1AB2 ColA1B1 VHS4-4	945942	



4.5.8 MODEL VHS 4-8

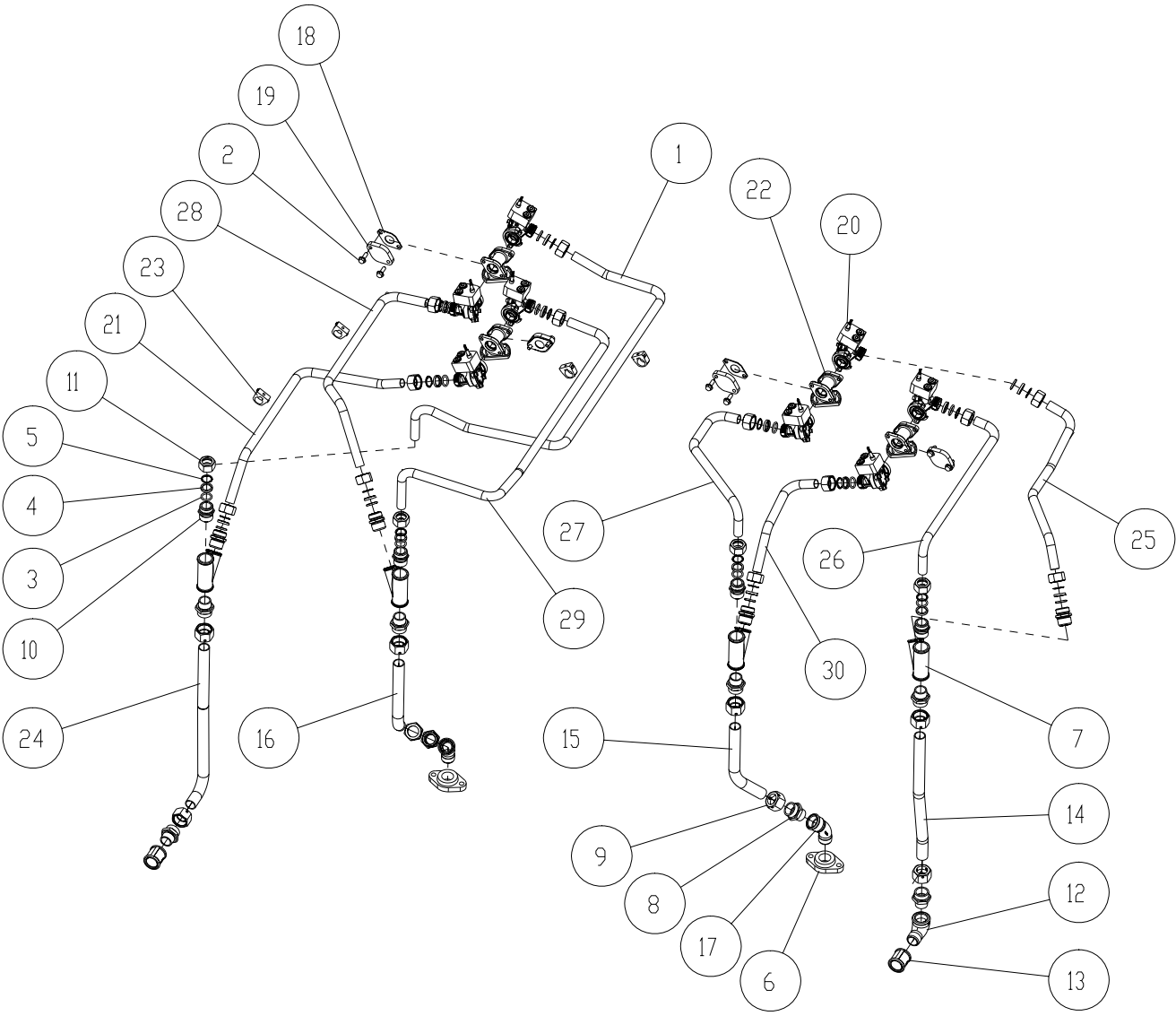
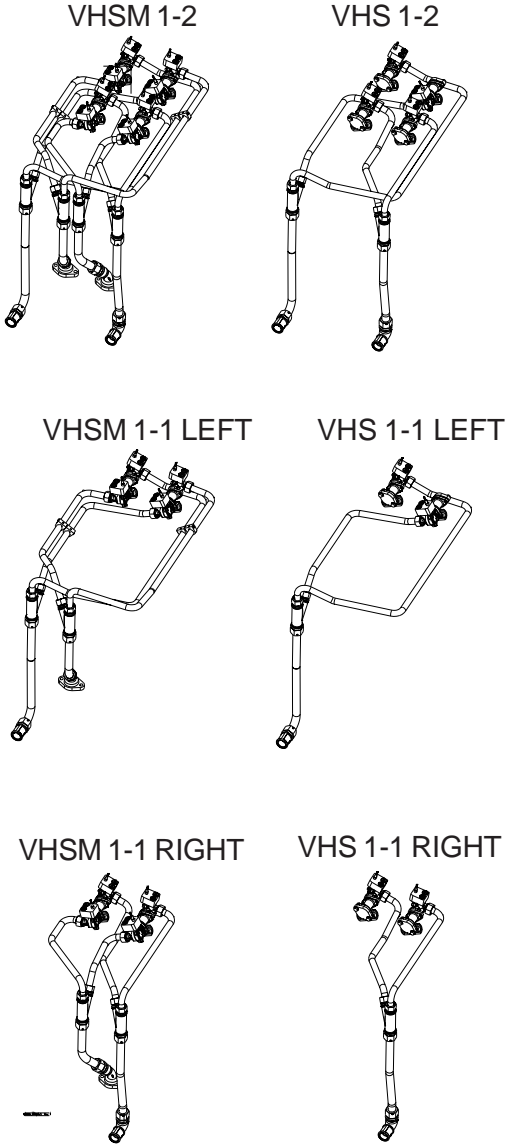
Item No	Description	Désignation Français	Part No	Comments
1	O-Ring 21,82x3,53	Joint Torique 21,82x3,53	900050-001	
2	Nipple 22mm G1"-G3/4"	Douille 22mm G1	900416	
3	Pressure Ring	Bague De Pression	900523	
4	Fixing Spring Ring 22mm	Bague De Pression 22mm	900525	
5	PRESSURE NUT G1"	Ecrou G1"	900791	
6	Nipple Coupling	Raccord Mamelon	900792	
7	Standard Hose Adapter	Apdaptateur Standard pour Flexib	901531	
8	Nipple 28mm M36x2-R1"	Douille 28mm M36x2-R1"	901767	
9	Pressure Nut 28mm Pipe	Ecrou de Pression Tube 28mm	901770	
10	Pressure Nut 22 mm Brass	Ecrou Pression 22mm Laiton	901858	
11	Elbow 1" F - 1"F galv.	Coude 1" F - 1"F galv.	902084-002	
12	Flow Reducing Ring dia 8.0mm	Reducteur Debit dia 8.0mm	902283	
13	Bracket Roller/Adapter Combined	Support Combiné Rouleau/Adaptat.	906647	
14	Valve & Fittings	Valve & Fittings	-	Refer to Valve & Fittings Assemblies
15	Tee Connection Valvebox F/F/F	Raccord Te F-F-F Electrov	940300	
16	Bracket Talon Diam. 22	Support Talon Diam. 22	941947	
17	Bracket Talon Diam. 28	Support Talon Diam. 28	941948	
18	Pipe Mtr A1 / Col A1 22mm	Tube Mtr A1 / Col A1 22mm	944881	
19	Pipe Mtr B1 / Col B1 22mm	Tube Mtr B1 / Col B1 22mm	944882	
20	Pipe Mtr A2/ Col A2 22mm	Tube Mtr A2/ Col A2 22mm	944883	
21	Pipe Mtr B2/ Col B2 22mm	Tube Mtr B2/ Col B2 22mm	944884	
22	Pipe MtrB2 ColB2 VHS2-4	Tube MtrB2 ColB2 VHS2-4	945032	
23	T 3/4"-3/4"-1" Female Thread	Raccord Te 3/4"-3/4"-1" Filet Fem	945101	
24	Pipe MtrA2 ColB2 VHS2-4	Tube MtrA2 ColB2 VHS2-4	945104	
25	Pipe MtrB1 ColA2 VHS2-4	Tube MtrB1 ColA2 VHS2-4	945105	
26	Pipe MtrB3 ColA3 VHS4-8	Tube MtrB3 ColA2 VHS4-8	945107	
27	Pipe MtrA2B2 ColB2 VHS4-8	Tube MtrA3 ColB3 VHS4-8	945108	

(Cont.)



4.5.8 MODEL VHS 4-8 (CONT.)

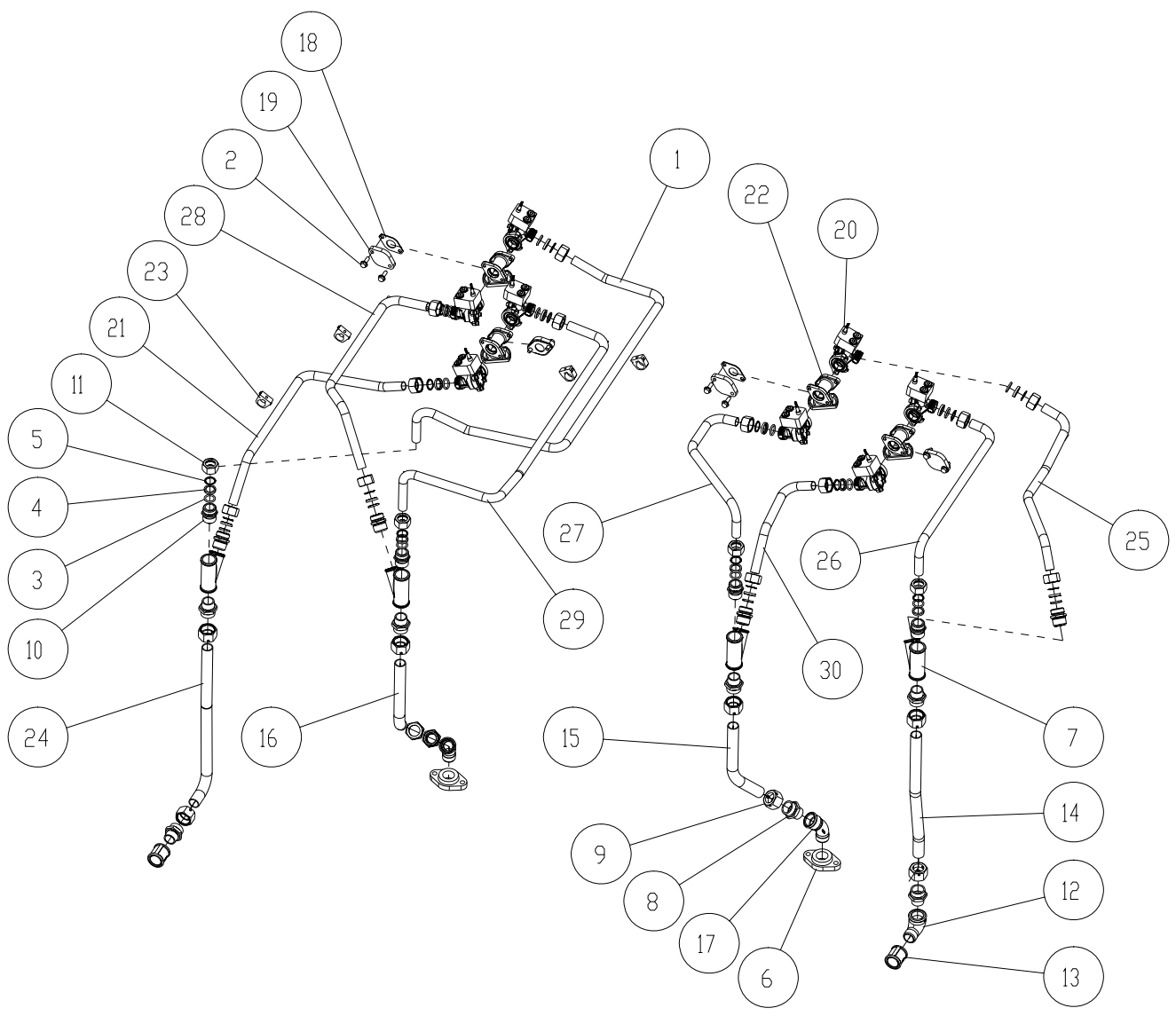
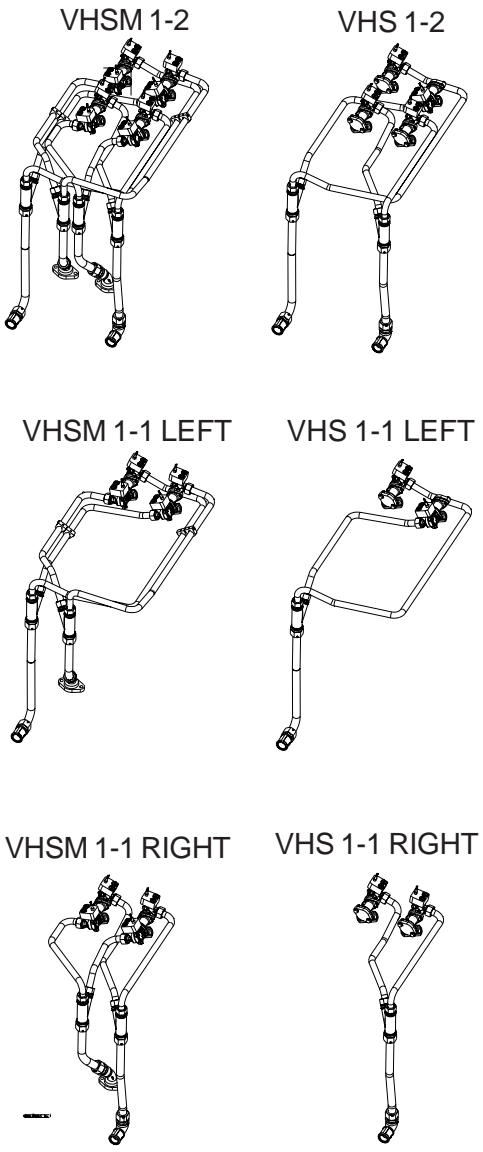
Item No	Description	Désignation Français	Part No	Comments
28	Pipe MtrA1B1 ColA2 VHS4-8	Tube MtrA2 ColA2 VHS4-8	945109	
29	Pipe MtrA4 ColB2 VHS4-8	Tube MtrA4 ColB2 VHS4-8	945110	
30	Bracket for Pipe's Clip	Support Clip Tubes	945438	



4.5.9 MODELS VHS 1-1, VHS 1-2, VHSM 1-1 & VHSM 1-2

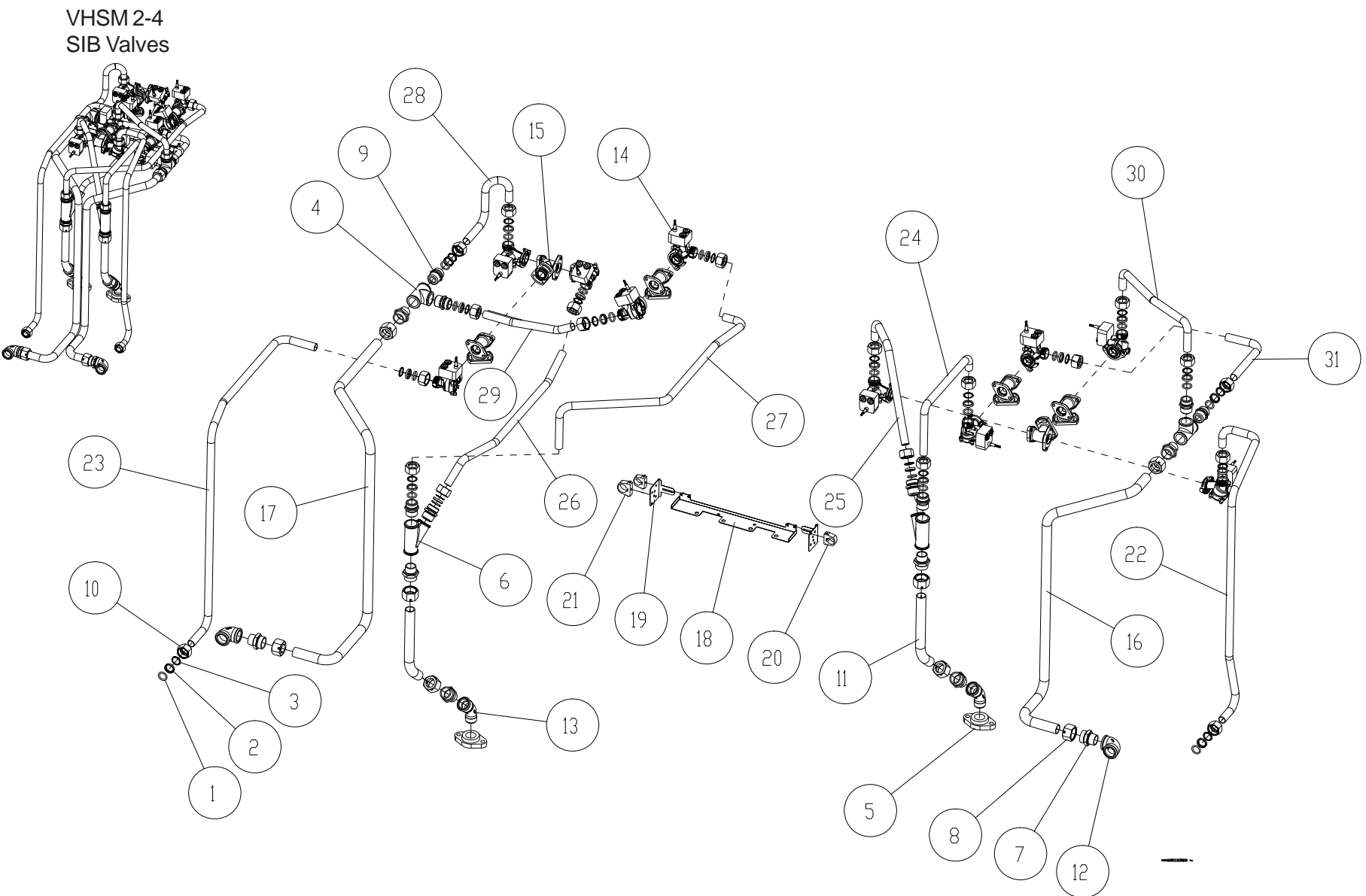
Item No	Description	Désignation Français	Part No	Comments
1	Pipe MtrB2 ColSatB VHSM1-2	Tube MtrB2 ColSatB VHSM1-2	0000000041	
2	Screw HFHSL M8x25	Vis Hex Br Autobl M8x25	900016-007	
3	O-Ring 21,82x3,53	Joint Torique 21,82x3,53	900050-001	
4	Pressure Ring	Bague De Pression	900523	
5	Fixing Spring Ring 22mm	Bague De Pression 22mm	900525	
6	Flange 1" 78mm	Bride 1" 78mm	901320-001	
7	T45° Egal Piece 1"	Té45° Egale Pièce 1"	901610-001	
8	Nipple 28mm M36x2-R1"	Douille 28mm M36x2-R1"	901767	
9	Pressure Nut 28mm Pipe	Ecrou de Pression Tube 28	901770	
10	Nipple 22mm G1"-G1"	Douille 22 mm G1"-G1"	901772	
11	Pressure Nut 22 mm Brass	Ecrou Pression 22mm Laiton	901858	
12	Elbow 1" M_F	Coude 1" M_F	901866-001	
13	Manchon G1"	Manchon G1"	901867-001	
14	Pipe A1 28mm Master after Split	Tube A1 apres Embr. Double	902049	
15	Pipe A2 28mm Master after Split	Tube A2 apres Embr. Double	902052	
16	Pipe B2 28mm Master after Split	Tube B2 apres Embr. Double	902055	
17	1" Elbow 45 ang. M-F	1" Courbe 45 ang. M-F	902110-001	
18	Gasket 58 th 2 mm	Joint plat 58 ep 2 mm	903438	
19	Flange Oval without Holes	Bride Ovale sans Trous	908456	
20	Valve & Fittings	Valve & Fittings	-	Refer to Valve & Fittings Assemblies
21	Pipe MtrA2 ColB1 VHSM1-2	Tube MtrA2 ColB1 VHSM1-2	940269	
22	Tee Connection Valvebox F/F/F	Raccord Te F-F-F Electrov	940300	
23	Bracket TALON Diam. 22	Support TALON Diam. 22	941947	
24	Pipe MtrA2B2 ColB1 VHSM1-2	Tube MtrA2B2 ColB1 VHSM1-2	945012	
25	Pipe MtrB1 ColA1 VHSM1-2	Tube MtrB1 ColA1 VHSM1-2	945017	
26	Pipe MtrA1 ColA1 VHSM1-2	Tube MtrA1 ColA1 VHSM1-2	945018	

(Cont.)



4.5.9 MODELS VHS 1-1, VHS 1-2, VHSM 1-1 & VHSM 1-2 (CONT.)

Item No	Description	Désignation Français	Part No	Comments
27	Pipe MtrB1 ColSatA VHSM1-2	Tube MtrB1 ColSatA VHSM1-2	945019	
28	Pipe MtrB2 ColSatB VHSM1-2	Tube MtrB2 ColSatB VHSM1-2	945020	
29	Pipe MtrA2 ColSatB VHSM1-2	Tube MtrA2 ColSatB VHSM1-2	945021	
30	Pipe MtrA1 ColSatA VHSM1-2	Tube MtrA1 ColSatA VHSM1-2	945033	

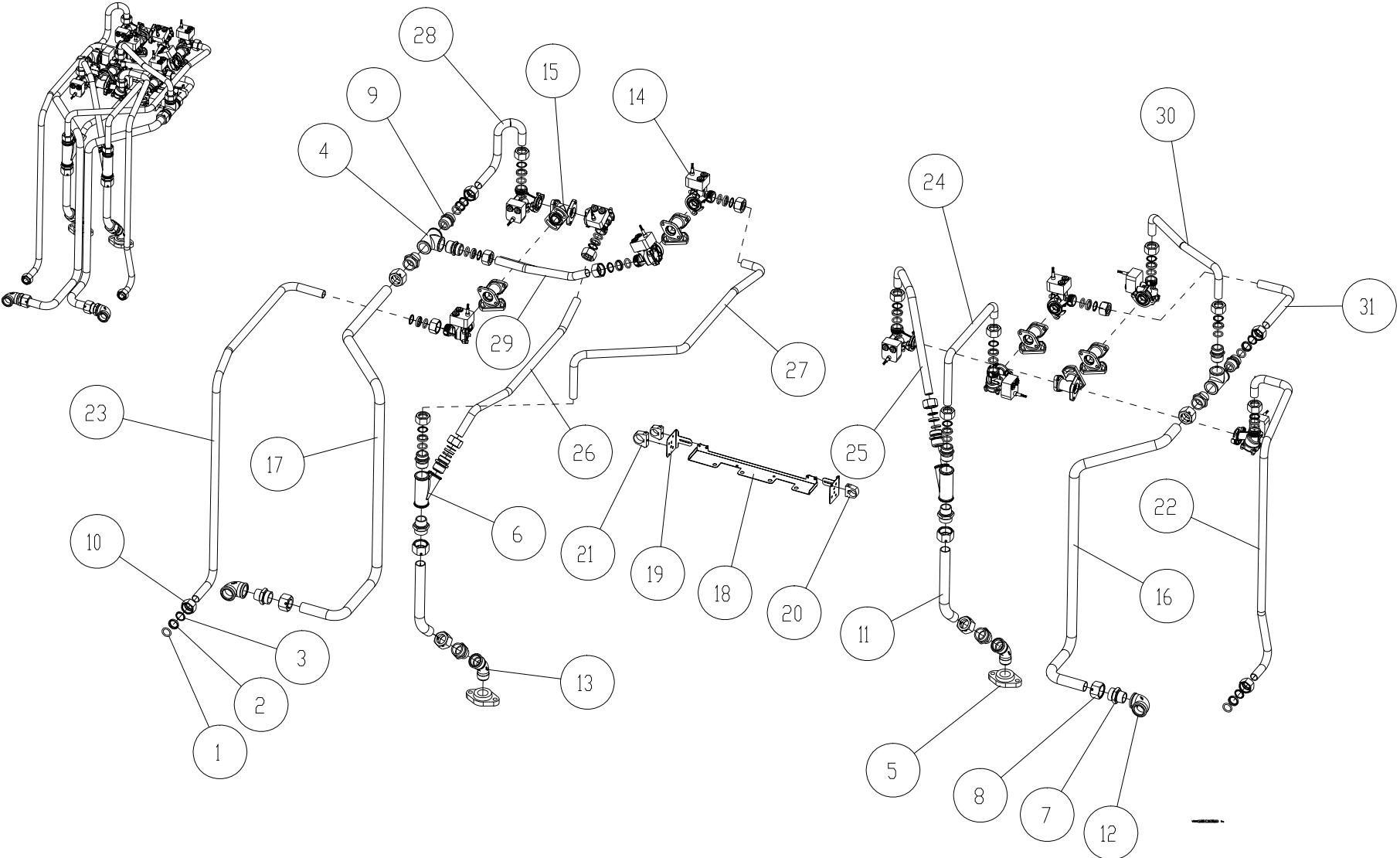


4.5.10 MODEL VHSM 2-4 (WITH SIB VALVES)

Item No	Description	Désignation Français	Part No	Comments
1	O-ring 21,30x3,60	Joint Torique 21,30x3,60	900050-034	
2	Pressure Ring	Bague De Pression	900523	
3	Fixing Spring Ring 22mm	Bague De Pression 22mm	900525	
4	T1" Female Thread	Raccord Te 1" Filet Fem	900847-002	
5	Flange 1" 78mm	Bride 1" 78mm	901320-001	
6	T45° Egal Piece 1"	Té45° Egale Pièce 1"	901610-001	
7	Nipple 28mm M36x2-R1"	Douille 28mm M36x2-R1"	901767	
8	Pressure Nut 28mm Pipe	Ecrou de Pression Tube 28mm	901770	
9	Nipple 22mm G1"-G1"	Douille 22 mm G1"-G1"	901772	
10	Pressure Nut 22 mm Brass	Ecrou Pression 22mm Laiton	901858	
11	Pipe B2 28mm Master after Split	Tube B2 apres Embr. Double	902055	
12	Elbow 1" F - 1"F Galv.	Coude 1" F - 1" F Galv.	902084-002	
13	1" Elbow 45 ang. M-F	1" Courbe 45 ang. M-F	902110-001	
14	SIB Valve Double Coil 24V	Electrovanne SIB Double 24V	-	Refer to SIB Valve Assembly
15	Tee Connection Valvebox F/F/F	Raccord Te F-F-F Electrov	940300	
16	Pipe MtrA1B1 ColA2 VHS2-4	Tube MtrA1B1 ColA2 VHS2-4	940305	
17	Pipe MtrA2B2 ColB2 VHS2-4	Tube MtrA2B2 ColB2 VHS2-4	940306	
18	Bracket Valvebox	Support Electrovanne Asm	941142	
19	Bracket Flexible Valvebox	Support Electrovanne Reglable	941145	
20	Bracket Talon Diam. 22	Support Talon Diam. 22	941947	
21	Bracket Talon Diam. 28	Support Talon Diam. 28	941948	
22	Pipe MtrA1 ColA1 VHSM2-4	Tube MtrA1 ColA1 VHSM2-4	942032	
23	Pipe MtrB2 ColB1 VHSM2-4	Tube MtrB2 ColB1 VHSM2-4	942033	
24	Pipe MtrA1 ColSatA VHSM2-4	Tube MtrA1 ColSatA VHSM2-4	942034	
25	Pipe MtrB1 ColSatA VHSM2-4	Tube MtrB1 ColSatA VHSM2-4	942035	
26	Pipe MtrB2 ColSatB VHSM2-4	Tube MtrB2 ColSatB VHSM2-4	942036	
27	Pipe MtrA1 ColSatB VHSM2-4	Tube MtrA1 ColSatB VHSM2-4	942037	

(Cont.)

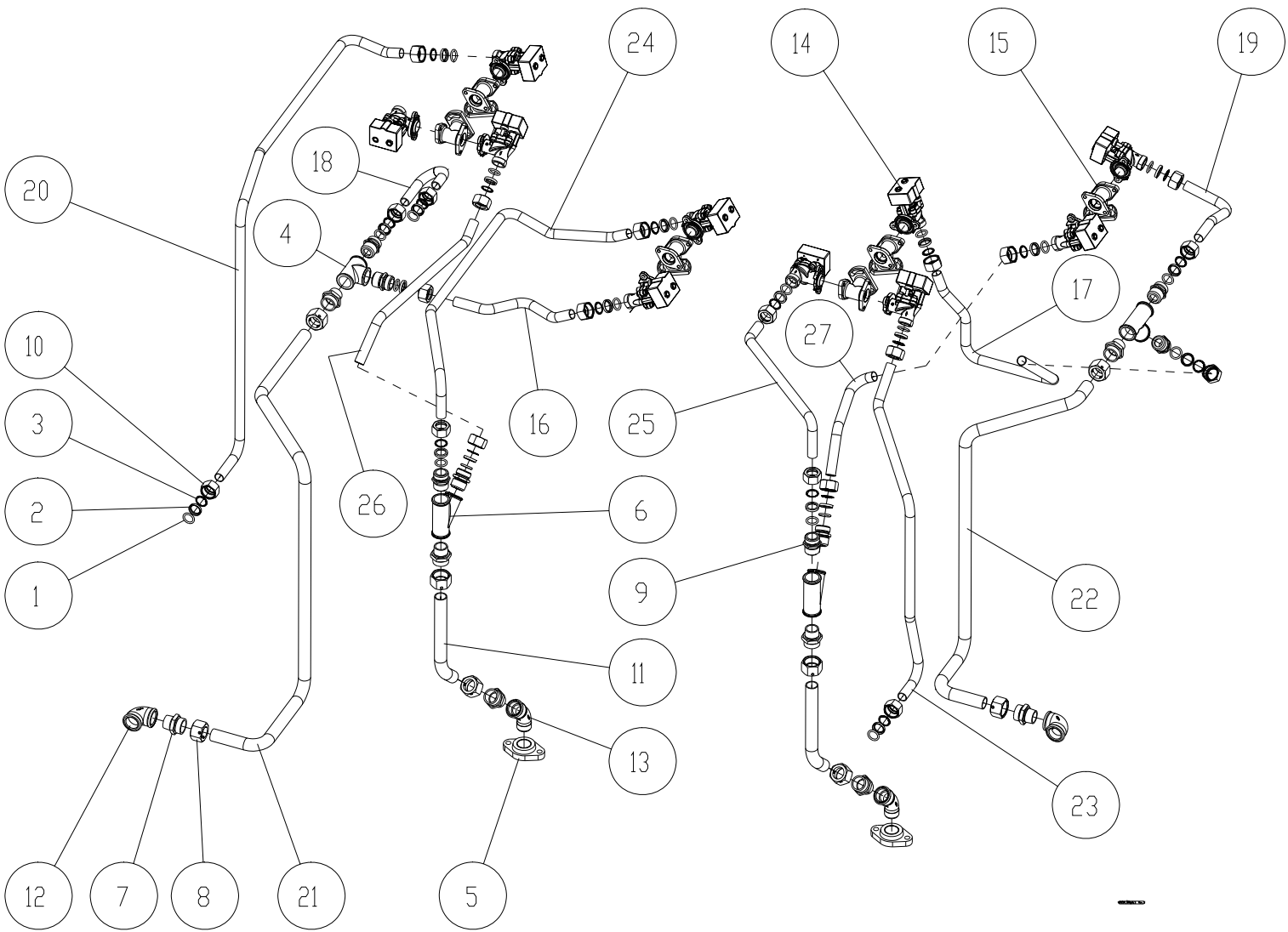
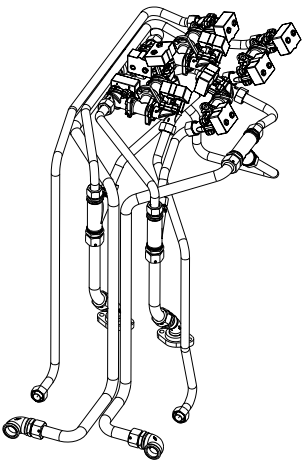
VHSM 2-4
SIB Valves



4.5.10 MODEL VHSM 2-4 (WITH SIB VALVES) CONT.

Item No	Description	Désignation Français	Part No	Comments
28	Pipe MtrB2 ColB2 VHSM2-4	Tube MtrB2 ColB2 VHSM2-4	942039	
29	Pipe MtrA2 ColB2 VHSM2-4	Tube MtrA2 ColB2 VHSM2-4	942040	
30	Pipe MtrB1 ColA2 VHSM2-4	Tube MtrB1 ColA2 VHSM2-4	942041	
31	Pipe MtrA1 ColA2 VHSM2-4	Tube MtrA1 ColA2 VHSM2-4	942042	

VHSM2-4
Danfoss Valves

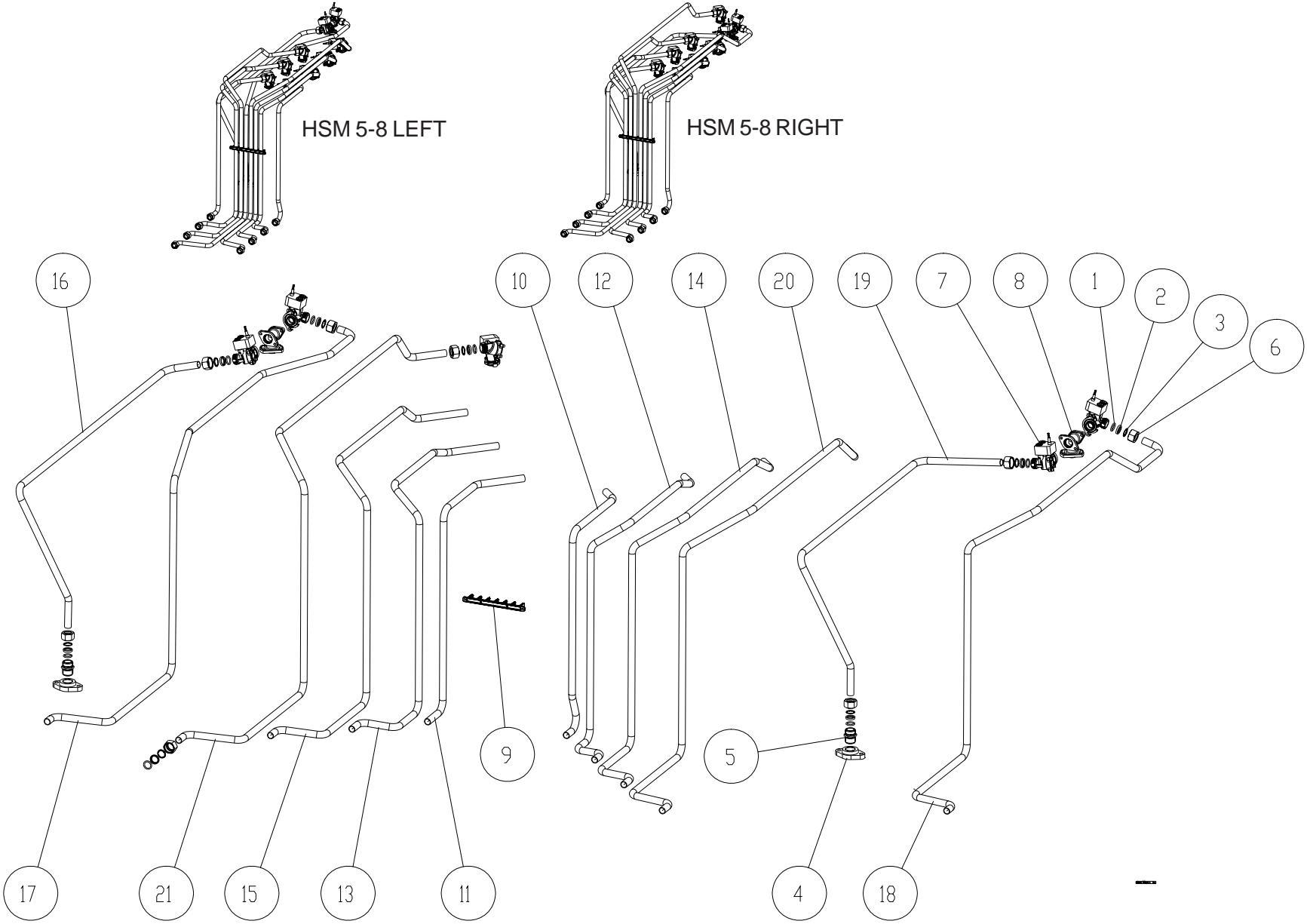


4.5.11 MODEL VHSM 2-4 (WITH DANFOSS VALVES)

Item No	Description	Désignation Français	Part No	Comments
1	O-Ring 21.30 x 3.6	Joint Torique 21.30 x 3.60	900050-034	
2	Pressure Ring	Bague De Pression	900523	
3	Fixing Spring Ring 22mm	Bague De Pression 22mm	900525	
4	T1" Female Thread	Raccord Te 1" Filet Fem	900847-002	
5	Flange 1" 78mm	Bride 1" 78mm	901320-001	
6	T45° egal piece 1"	Té45° égale pièce 1"	901610-001	
7	Nipple 28mm M36x2-R1"	Douille 28mm M36x2-R1"	901767	
8	Pressure Nut 28mm Pipe	Ecrou de Pression Tube 28mm	901770	
9	Nipple 22mm G1"-G1"	Douille 22 mm G1"-G1"	901772	
10	Pressure Nut 22 mm Brass	Ecrou Pression 22mm Laiton	901858	
11	Pipe B2 28mm Master after Split	Tube B2 apres Embr. Double	902055	
12	Elbow 1" F - 1"F galv.	Coude 1" F - 1" F galv.	902084-002	
13	1" Elbow 45 ang. M-F	1" Courbe 45 ang. M-F	902110-001	
14	Danfoss Valve & Fittings	Danfoss Valve & Fittings	-	Refer to Danfoss Valve Assemblies
15	Tee Connection Valvebox F/F/F	Raccord Te F-F-F Electrov	940300	
16	Pipe MtrA2 ColB2 VHSM2-4	Tube MtrA2 ColB2 VHSM2-4	945140	
17	Pipe MtrB1 ColA2 VHSM2-4	Tube MtrB1 ColA2 VHSM2-4	945141	
18	Pipe MtrB2 ColB2 VHSM2-4	Tube MtrB2 ColB2 VHSM2-4	945153	
19	Pipe MtrA1 ColA2 VHSM2-4	Tube MtrA1 ColA2 VHSM2-4	945154	
20	Pipe MtrB2 ColB1 VHSM2-4	Tube MtrB2 ColB1 VHSM2-4	945155	
21	Pipe MtrA2B2 ColB2 VHS2-4	Tube MtrA2B2 ColB2 VHS2-4	945156	
22	Pipe MtrA1B1 ColA2 VHS2-4	Tube MtrA1B1 ColA2 VHS2-4	945157	
23	Pipe MtrA1 ColA1 VHSM2-4	Tube MtrA1 ColA1 VHSM2-4	945158	
24	Pipe MtrA1 ColSatB VHSM2-4	Tube MtrA1 ColSatB VHSM2-4	945159	
25	Pipe MtrA1 ColSatA VHSM2-4	Tube MtrA1 ColSatA VHSM2-4	945160	
26	Pipe MtrB2 ColSatB VHSM2-4	Tube MtrB2 ColSatB VHSM2-4	945161	
27	Pipe MtrB1 ColSatA VHSM2-4	Tube MtrB1 ColSatA VHSM2-4	945163	

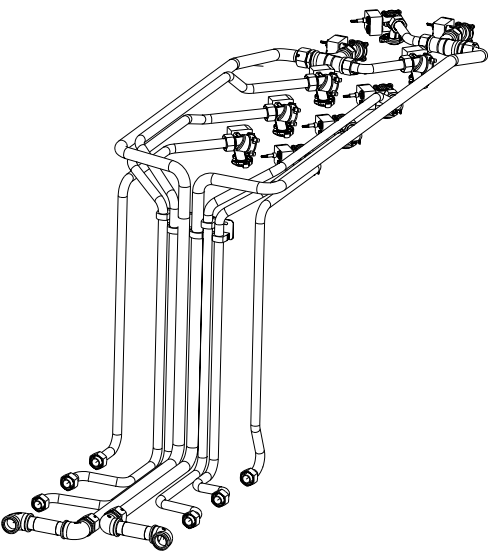
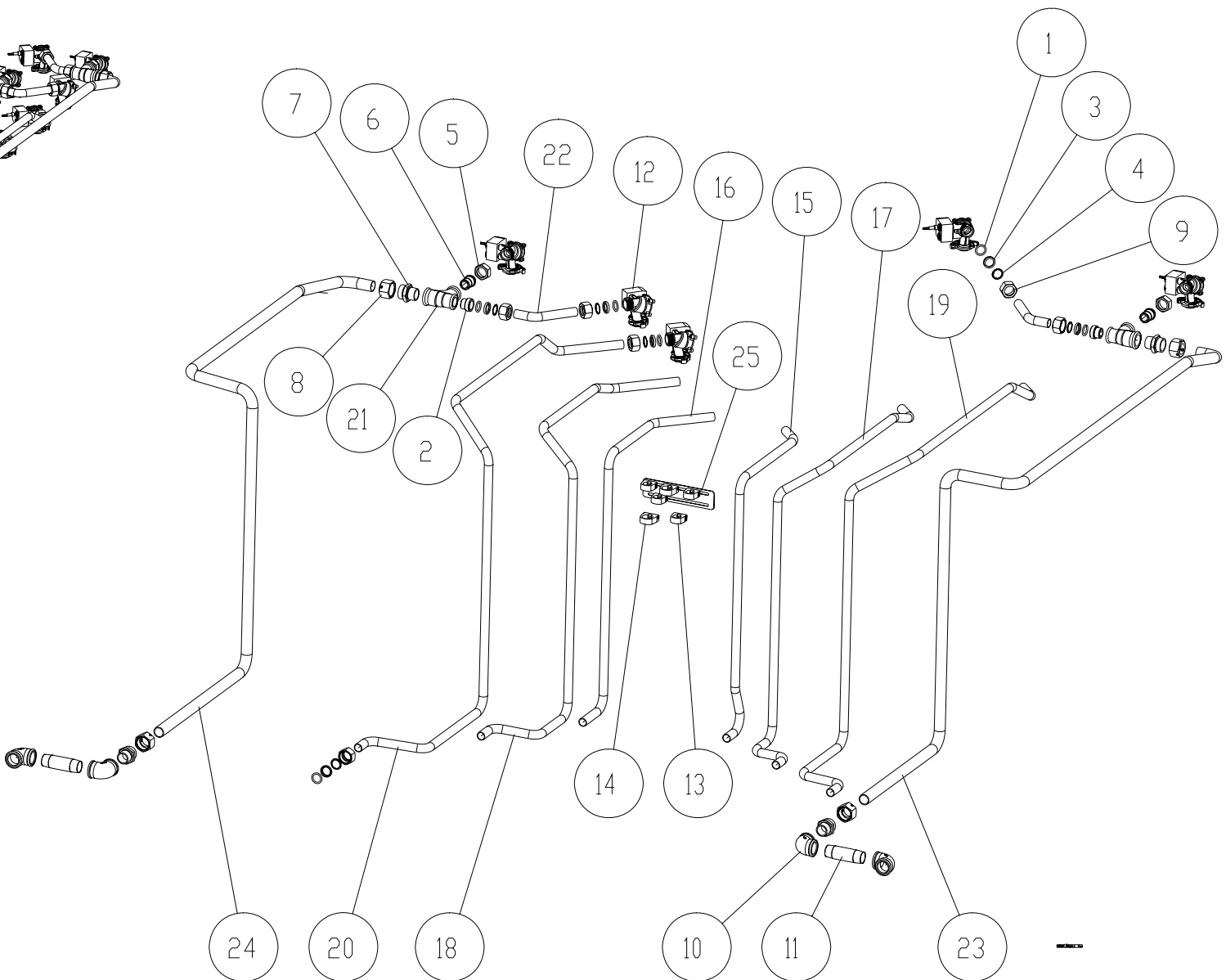
4.5.12 MODELS HSM 1-1 & HSM 1-2

Item No	Description	Désignation Français	Part No	Comments
1	O-Ring 21,82x3,53	Joint Torique 21,82x3,53	900050-001	
2	Pressure Ring	Bague De Pression	900523	
3	Fixing Spring Ring 22mm	Bague De Pression 22mm	900525	
4	Flange 1" 78mm	Bride 1" 78mm	901320-001	
5	T45° Egal Piece 1"	Té45° Egale Pièce 1"	901610-001	
6	Nipple 28mm M36x2-R1"	Douille 28mm M36x2-R1"	901767	
7	Pressure Nut 28mm Pipe	Ecrou de Pression Tube 28mm	901770	
8	Nipple 22mm G1"-G1"	Douille 22 mm G1"-G1"	901772	
9	Pressure Nut 22 mm Brass	Ecrou Pression 22mm Laiton	901858	
10	Elbow 1" M_F	Coude 1" M_F	901866-001	
11	Manchon G1"	Manchon G1"	901867-001	
12	Pipe A1 28mm Master after Split	Tube A1 apres Embr. Double	902049	
13	Pipe A2 28mm Master after Split	Tube A2 apres Embr. Double	902052	
14	Pipe B2 28mm Master after Split	Tube B2 apres Embr. Double	902055	
15	1" Elbow 45 ang. M-F	1" Courbe 45 ang. M-F	902110-001	
16	Valve & Fittings	Valve & Fittings	-	Refer to Valve & Fittings Assemblies
17	Tee Connection Valvebox F/F/F	Raccord Te F-F-F Electrov	940300	
18	Cap 1" BSPP	Bouchon 1"BSPP	940341	
19	Coupling M/M 1"/1" Brass	Raccord M/M1"/1" Laiton	940910-001	
20	Pipe MtrA2B2 ColB1 VHSM1-2	Tube MtrA2B2 ColB1 VHSM1-2	945012	
21	Pipe MtrA2 ColA1 HSM1-2	Tube MtrA2 ColA1 HSM1-2	945014	
22	Pipe MtrA2 ColSatA HSM1-2	Tube MtrA2 ColSatA HSM1-2	945015	
23	Pipe MtrB2 ColB1 VHSM1-2	Tube MtrB2 ColB1 VHSM1-2	945016	
24	Pipe MtrB2 ColSatB VHSM1-2	Tube MtrB2 ColSatB VHSM1-2	945020	



4.5.13 MODEL HSM 5-8

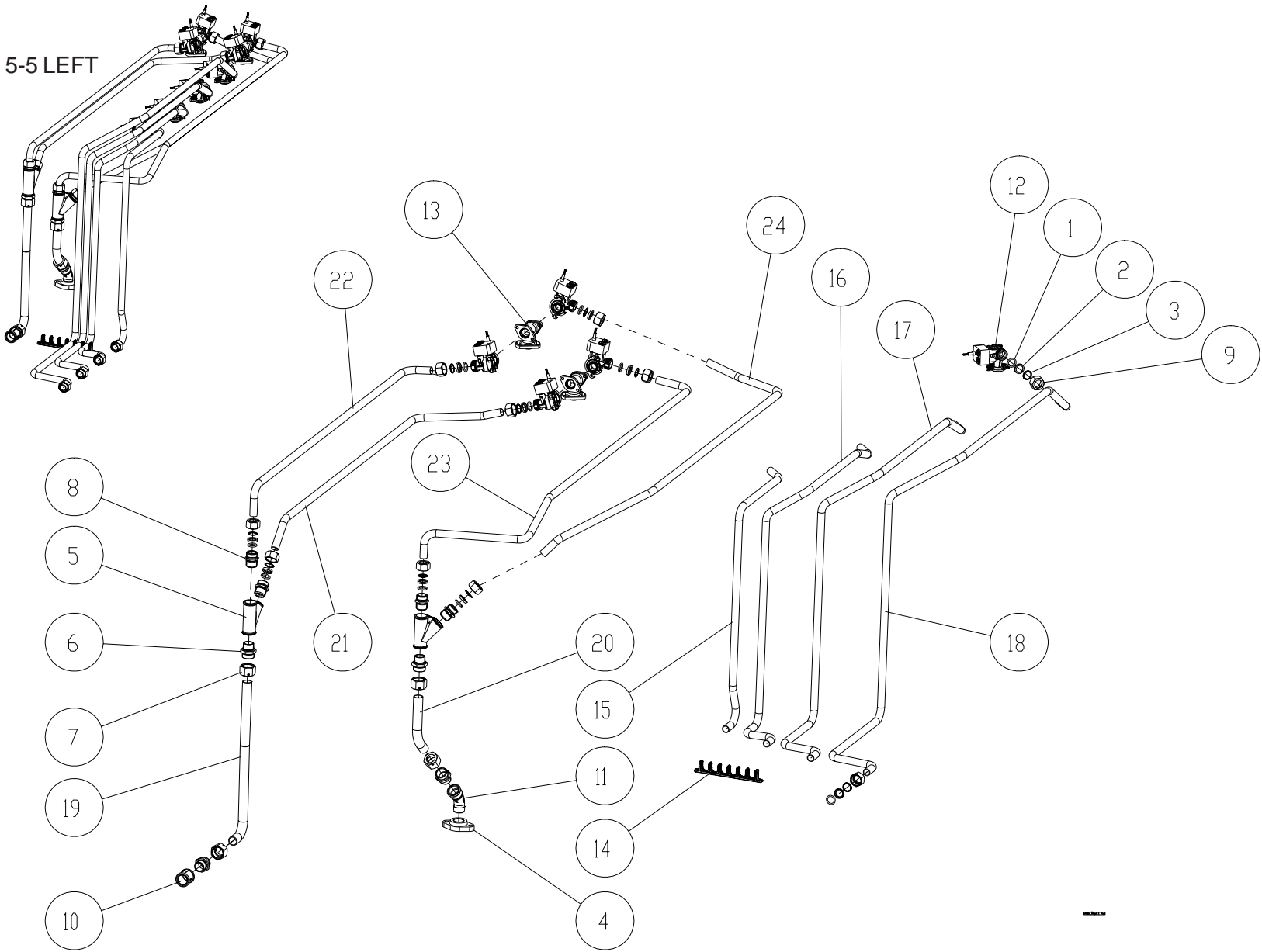
Item No	Description	Désignation Français	Part No	Comments
1	O-Ring 21,82x3,53	Joint Torique 21,82x3,53	900050-001	
2	Pressure Ring	Bague De Pression	900523	
3	Fixing Spring Ring 22mm	Bague De Pression 22mm	900525	
4	Flange 1" 78mm	Bride 1" 78mm	901320-001	
5	Nipple 22mm G1"-G1"	Douille 22 mm G1"-G1"	901772	
6	Pressure Nut 22 mm Brass	Ecrou Pression 22mm Laiton	901858	
7	Valve & Fittings	Valve & Fittings	-	Refer to Valve & Fittings Assemblies
8	Tee Connection Valvebox F/F/F	Raccord Te F-F-F Electrov	940300	
9	Moulded Comb for Pipes	Peigne Moule pour Tubes	943823	
10	Pipe Mtr A1 / Col A1 22mm	Tube Mtr A1 / Col A1 22mm	944881	
11	Pipe Mtr B1 / Col B1 22mm	Tube Mtr B1 / Col B1 22mm	944882	
12	Pipe Mtr A2/ Col A2 22mm	Tube Mtr A2/ Col A2 22mm	944883	
13	Pipe Mtr B2/ Col B2 22mm	Tube Mtr B2/ Col B2 22mm	944884	
14	Pipe Mtr A3/ Col A3 22mm	Tube Mtr A3/ Col A3 22mm	944887	
15	Pipe Mtr 3B/ Col B3 22mm	Tube Mtr B3/ Col B3 22mm	944888	
16	Pipe MtrB5 ColSatB HSM5-8L	Tube MtrB5 ColSatB HSM5-8L	945023	HSM 5-8 Left only
17	Pipe MtrB5 ColB4 HSM5-8L	Tube MtrB5 ColB4 HSM5-8L	945025	HSM 5-8 Left only
18	Pipe MtrA4 ColA4 HSM5-8R	Tube MtrA4 ColA4 HSM5-8R	945027	HSM 5-8 Right only
19	Pipe MtrA4 ColA4 HSM5-8R	Tube MtrA4 ColSatB HSM5-8R	945030	HSM 5-8 Right only
20	Pipe Mtr A4/ Col A4 22mm	Tube Mtr A4/ Col A4 22mm	945049	HSM 5-8 Left only
21	Pipe Mtr B5/ Col B4 22mm	Tube Mtr B5/ Col B4 22mm	945057	HSM 5-8 Right only



4.5.14 MODEL SVHS 5-8

Item No	Description	Désignation Français	Part No	Comments
1	O-Ring 21,82x3,53	Joint Torique 21,82x3,53	900050-001	
2	Nipple 22mm G1"-G3/4"	Douille 22mm G1	900416	
3	Pressure Ring	Bague De Pression	900523	
4	Fixing Spring Ring 22mm	Bague De Pression 22mm	900525	
5	PRESSURE NUT G1"	Ecrou G1"	900791	
6	Nipple Coupling	Raccord Mamelon	900792	
7	Nipple 28mm M36x2-R1"	Douille 28mm M36x2-R1"	901767	
8	Pressure Nut 28mm Pipe	Ecrou de Pression Tube 28mm	901770	
9	Pressure Nut 22 mm Brass	Ecrou Pression 22mm Laiton	901858	
10	Elbow 1" F - 1"F galv.	Coude 1"F - 1"F galv.	902084-002	
11	Pipe Nipple 1" x 1" x 100	Mamelon de pipe 1" x 1" x 100	904919	
12	Valve & Fittings	Valve & Fittings	-	Refer to Valve & Fittings Assemblies
13	Bracket TALON Diam. 22	Support TALON Diam. 22	941947	
14	Bracket TALON Diam. 28	Support TALON Diam. 28	941948	
15	Pipe Mtr A1 / Col A1 22mm	Tube Mtr A1 / Col A1 22mm	944881	
16	Pipe Mtr B1 / Col B1 22mm	Tube Mtr B1 / Col B1 22mm	944882	
17	Pipe Mtr A2/ Col A2 22mm	Tube Mtr A2/ Col A2 22mm	944883	
18	Pipe Mtr B2/ Col B2 22mm	Tube Mtr B2/ Col B2 22mm	944884	
19	Pipe Mtr A3/ Col A3 22mm	Tube Mtr A3/ Col A3 22mm	944887	
20	Pipe Mtr 3B/ Col B3 22mm	Tube Mtr B3/ Col B3 22mm	944888	
21	T 3/4"-3/4"-1" Female Thread	Raccord Te 3/4"-3/4"-1" Filet Fem	945101	
22	Pipe MtrA4B5 ColA4B4 SVHS5-8	Tube MtrA4B5 ColA4B4 SVHS5-8	945114	
23	Pipe MtrA5B5 ColA4 SVHS5-8	Tube MtrA5B5 ColA4 SVHS5-8	945115	
24	Pipe MtrA4B4 ColB4 SVHS5-8	Tube MtrA4B4 ColB4 SVHS5-8	945116	
25	Bracket for Pipe's Clip	Support Clip Tubes	945438	

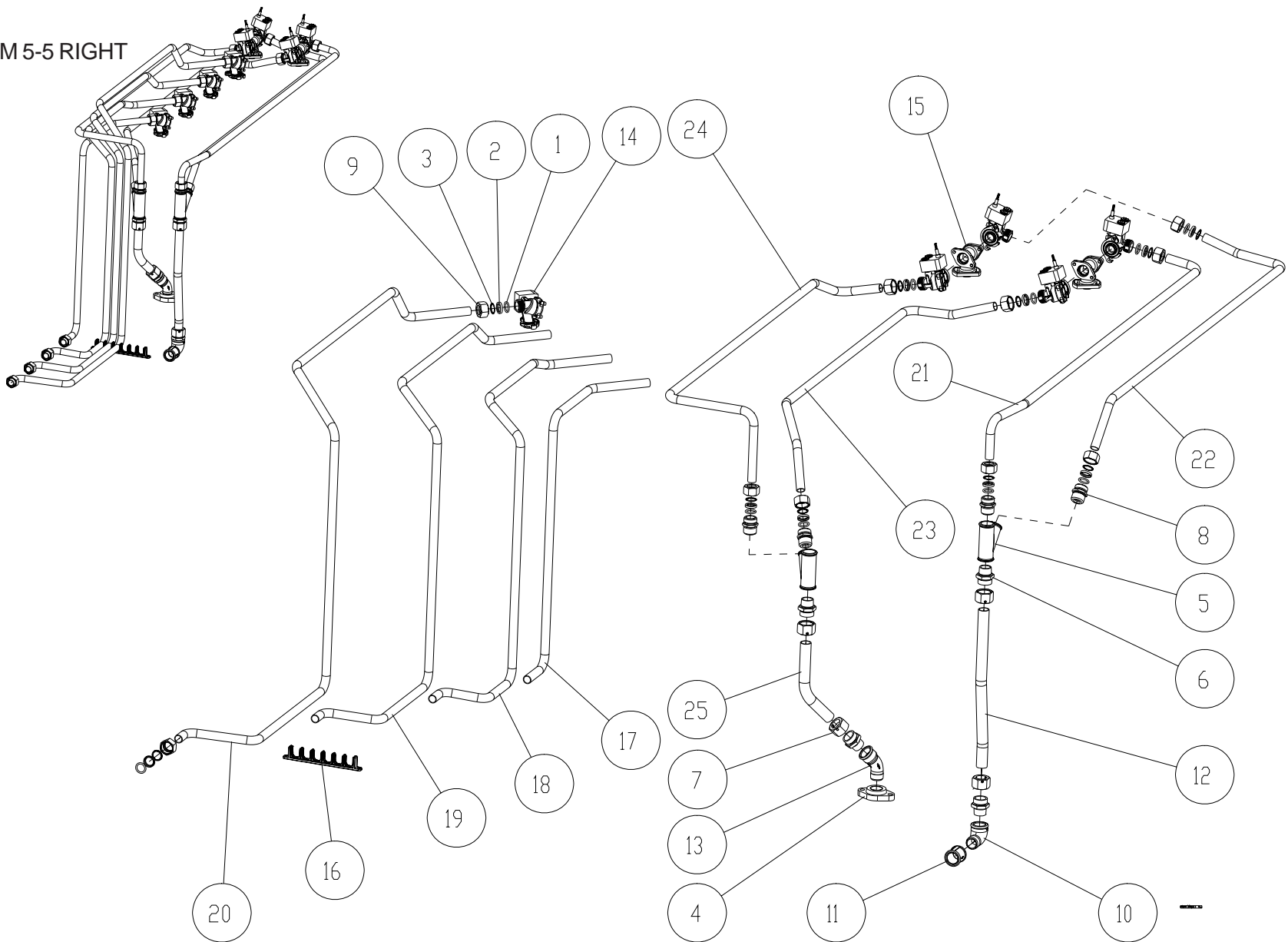
SVHSM 5-5 LEFT



4.5.15 MODEL SVHSM 5-5 LEFT

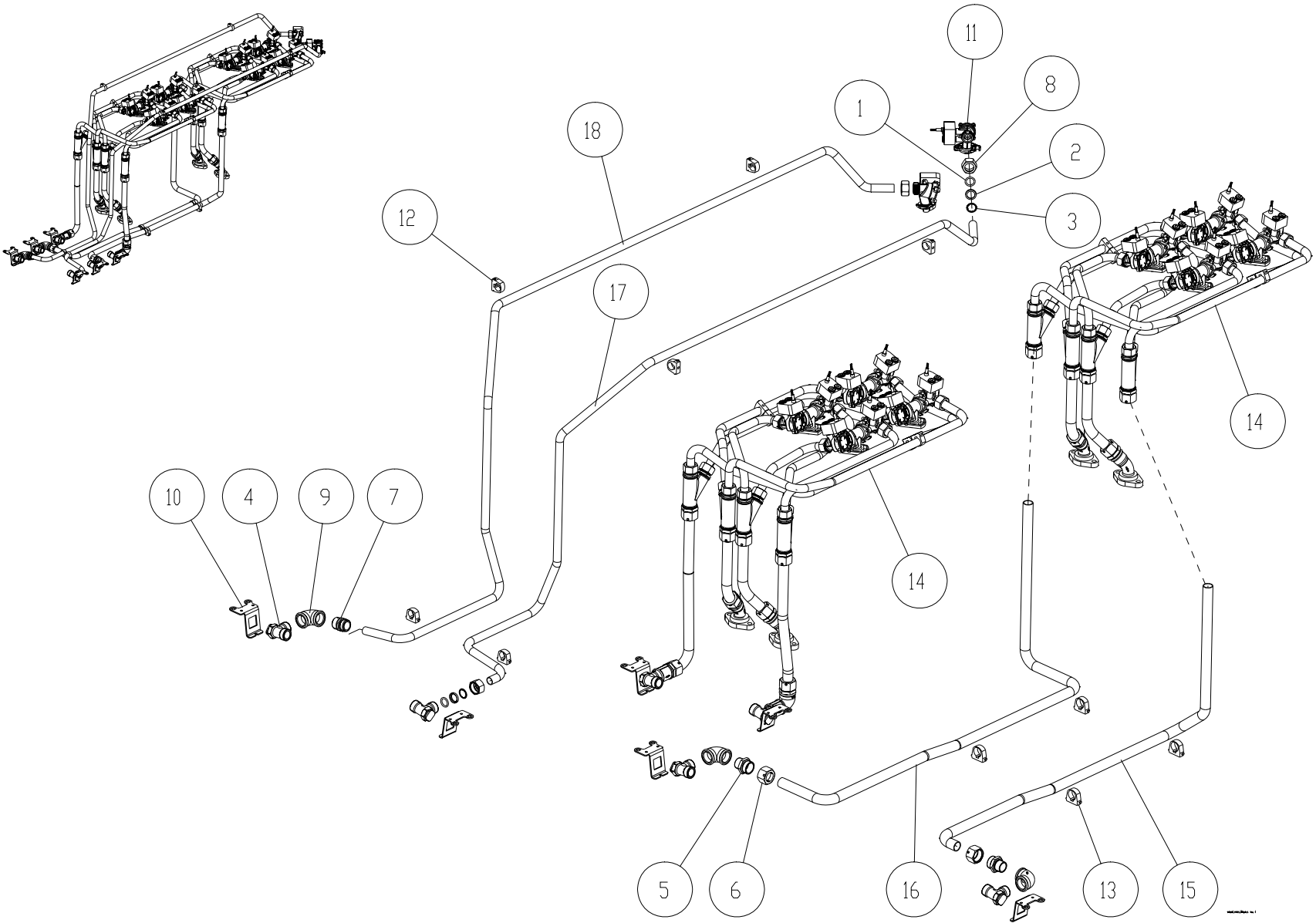
Item No	Description	Désignation Français	Part No	Comments
1	O-Ring 21,82x3,53	Joint Torique 21,82x3,53	900050-001	
2	Pressure Ring	Bague De Pression	900523	
3	Fixing Spring Ring 22mm	Bague De Pression 22mm	900525	
4	Flange 1" 78mm	Bride 1" 78mm	901320-001	
5	T45° Egal Piece 1"	Té45° Egale Pièce 1"	901610-001	
6	Nipple 28mm M36x2-R1"	Douille 28mm M36x2-R1"	901767	
7	Pressure Nut 28mm Pipe	Ecrou de Pression Tube 28mm	901770	
8	Nipple 22mm G1"-G1"	Douille 22 mm G1"-G1"	901772	
9	Pressure Nut 22 mm Brass	Ecrou Pression 22mm Laiton	901858	
10	Manchon G1"	Manchon G1"	901867-001	
11	1" Elbow 45 ang. M-F	1" Courbe 45 ang. M-F	902110-001	
12	Valve & Fittings	Valve & Fittings	-	Refer to Valve & Fittings Assemblies
13	Tee Connection Valvebox F/F/F	Raccord Te F-F-F Electrov	940300	
14	Mouled Comb for Pipes	Peigne Moule pour Tubes	943823	
15	Pipe Mtr A1 / Col A1 22mm	Tube Mtr A1 / Col A1 22mm	944881	
16	Pipe Mtr A2/ Col A2 22mm	Tube Mtr A2/ Col A2 22mm	944883	
17	Pipe Mtr A3/ Col A3 22mm	Tube Mtr A3/ Col A3 22mm	944887	
18	Pipe Mtr A4/ Col A4 22mm	Tube Mtr A4/ Col A4 22mm	944889	
19	Pipe MtrA2B2 ColB1 VHSM1-2	Tube MtrA2B2 ColB1 VHSM1-2	945012	
20	Pipe SatB Master after Spilt	Tube SatB apres Embr. Double	945086	
21	Pipe MtrA5 ColB1 SVHSM5-5L	Tube MtrA5 ColB1 SVHSM5-5L	945087	
22	Pipe MtrB5 ColB1 SVHSM5-5L	Tube MtrB5 ColB1 SVHSM5-5L	945089	
23	Pipe MtrA5 ColSatB SVHSM5-5L	Tube MtrA5 ColSatB SVHSM5-5L	945092	
24	Pipe MtrB5 ColSatB SVHSM5-5L	Tube MtrB5 ColSatB SVHSM5-5L	945093	

SVHSM 5-5 RIGHT



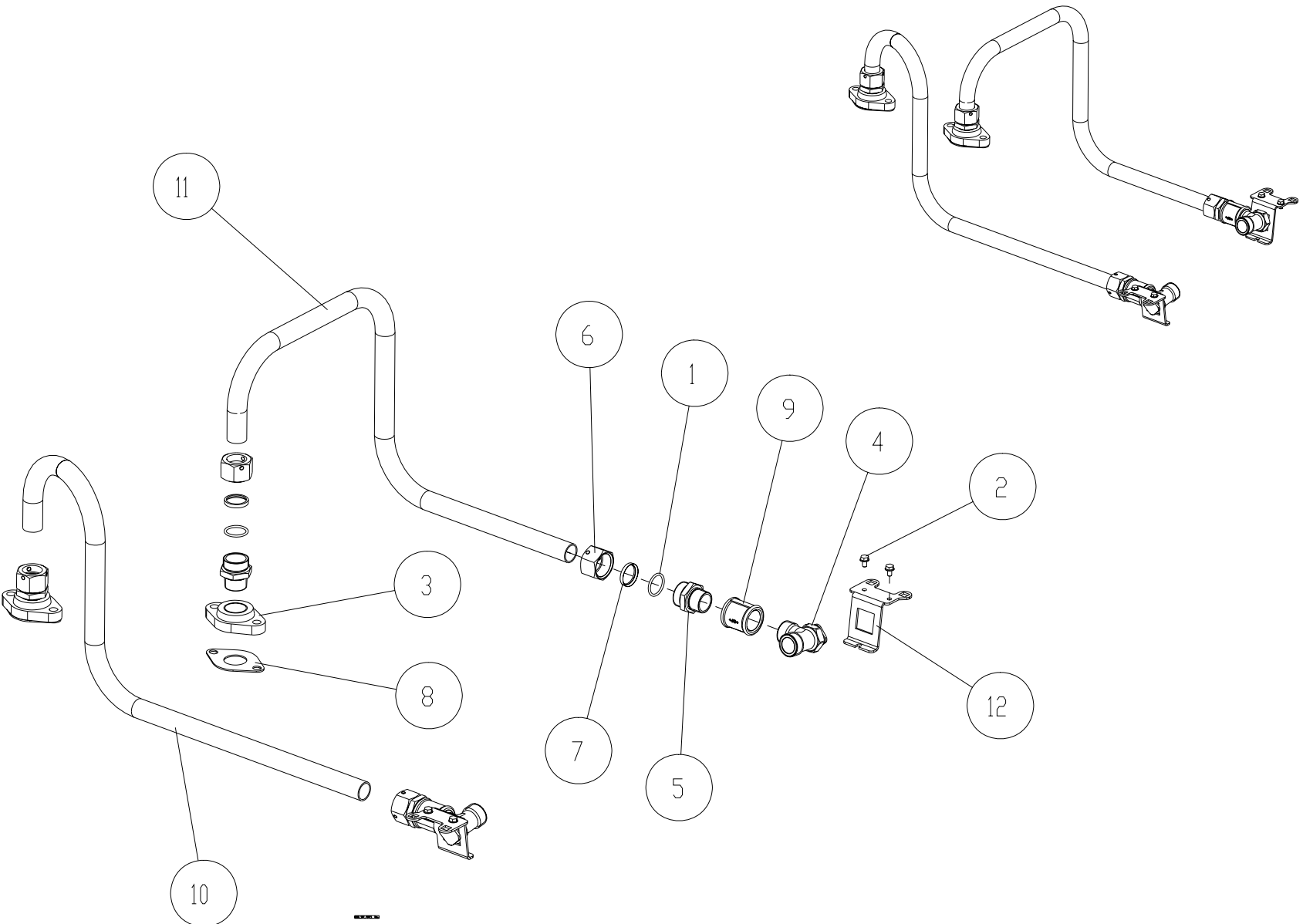
4.5.16 MODEL SVHSM 5-5 RIGHT

Item No	Description	Désignation Français	Part No	Comments
1	O-Ring 21,82x3,53	Joint Torique 21,82x3,53	900050-001	
2	Pressure Ring	Bague De Pression	900523	
3	Fixing Spring Ring 22mm	Bague De Pression 22mm	900525	
4	Flange 1" 78mm	Bride 1" 78mm	901320-001	
5	T45° Egal Piece 1"	Té45° Egale Pièce 1"	901610-001	
6	Nipple 28mm M36x2-R1"	Douille 28mm M36x2-R1"	901767	
7	Pressure Nut 28mm Pipe	Ecrou de Pression Tube 28mm	901770	
8	Nipple 22mm G1"-G1"	Douille 22 mm G1"-G1"	901772	
9	Pressure Nut 22 mm Brass	Ecrou Pression 22mm Laiton	901858	
10	Elbow 1" M_F	Coude 1" M_F	901866-001	
11	Manchon G1"	Manchon G1"	901867-001	
12	Pipe A1 28mm Master after Split	Tube A1 apres Embr. Double	902049	
13	1" Elbow 45 ang. M-F	1" Courbe 45 ang. M-F	902110-001	
14	Valve & Fittings	Valve & Fittings	-	Refer to Valve & Fittings Assemblies
15	Tee Connection Valvebox F/F/F	Raccord Te F-F-F Electrov	940300	
16	Mouled Comb for Pipes	Peigne Moule pour Tubes	943823	
17	Pipe Mtr B1 / Col B1 22mm	Tube Mtr B1 / Col B1 22mm	944882	
18	Pipe Mtr B2/ Col B2 22mm	Tube Mtr B2/ Col B2 22mm	944884	
19	Pipe Mtr 3B/ Col B3 22mm	Tube Mtr B3/ Col B3 22mm	944888	
20	Pipe Mtr B4/ Col B4 22mm	Tube Mtr B4/ Col B4 22mm	944890	
21	Pipe MtrA5 ColA1 SVHSM5-5R	Tube MtrA5 ColA1 SVHSM5-5R	945095	
22	Pipe MtrB5 ColA1 SVHSM5-5R	Tube MtrB5 ColA1 SVHSM5-5R	945096	
23	Pipe MtrA5 ColSatA SVHSM5-5R	Tube MtrA5 ColSatA SVHSM5-5R	945097	
24	Pipe MtrB5 ColSatA SVHSM5-5R	Tube MtrB5 ColSatA SVHSM5-5R	945098	
25	Pipe SatA Master after Split	Tube SatA apres Embr. Double	945099	



4.5.17 MODELS VHS²M5-6 & VHS²5-6

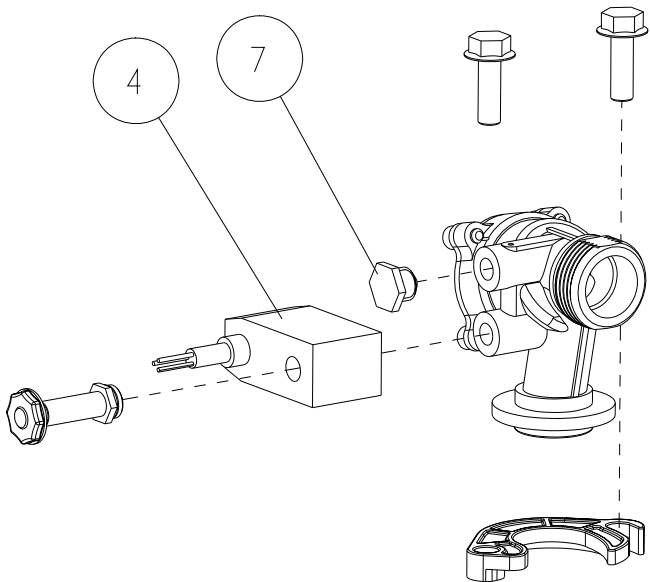
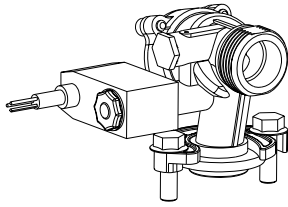
Item No	Description	Désignation Français	Part No	Comments
1	O-ring 21,30x3,60	Joint Torique 21,30x3,60	900050-034	
2	Pressure Ring	Bague De Pression	900523	
3	Fixing Spring Ring 22mm	Bague De Pression 22mm	900525	
4	Standard Hose Adapter	Apdaptateur Standard pour Flexib	901531	
5	Nipple 28mm M36x2-R1"	Douille 28mm M36x2-R1"	901767	
6	Pressure Nut 28mm Pipe	Ecrou de Pression Tube 28mm	901770	
7	Nipple 22mm G1"-G1"	Douille 22 mm G1"-G1"	901772	
8	Pressure Nut 22 mm Brass	Ecrou Pression 22mm Laiton	901858	
9	Elbow 1" F - 1"F Galv.	Coude 1"F - 1"F Galv.	902084-002	
10	Bracket Roller/Adapter Combined	Support Combiné Rouleau/Adaptat	906647	
11	Valve & Fittings	Valve & Fittings	-	Refer to Valve & Fittings Assemblies
12	Bracket TALON Diam. 22	Support TALON Diam. 22	941947	
13	Bracket TALON Diam. 28	Support TALON Diam. 28	941948	
14	Q510 VHSM1-2 (model VHS ² M5-6 only)	Q510 VHSM1-2 Asm	-	Refer to VHSM1-2 Assy
	Q510 VHS1-2 (model VHS ² 5-6 only)	Q510 VHS1-2 Asm	-	Refer to VHS1-2 Assy
15	Pipe MtrA3B3/ColA2 VHS2M5-6	Tube MtrA3B3/ColA2 VHS2M5-6	946247	
16	Pipe MtrA4B4/ColB2 VHS2M5-6	Tube MtrA4B4/ColB2 VHS2M5-6	946248	
17	Pipe MtrA5/ColA3 22mm VHS2M5-6	Tube MtrA5/ColA3 22mm VHS2M5-6	946249	
18	Pipe MtrB5/ColB3 22mm VHS2M5-6	Tube MtrB5/ColB3 22mm VHS2M5-6	946250	



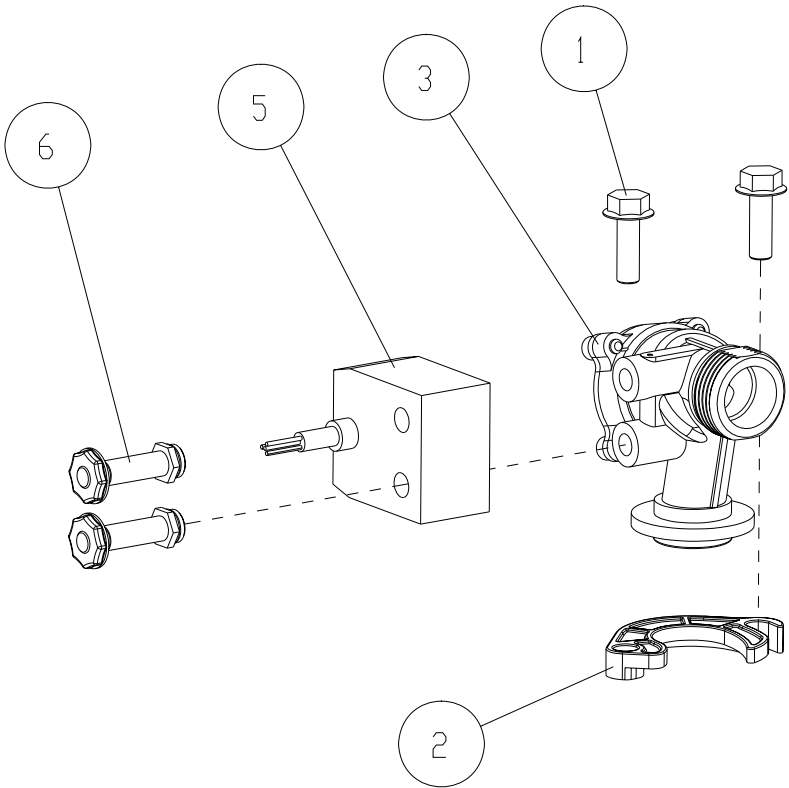
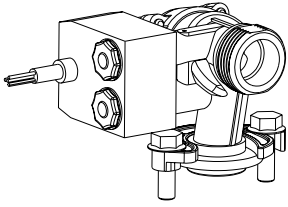
4.6 Satellite Pipe Assembly

Item No	Description	Désignation Français	Part No	Comments
1	O-ring 28,00x3,00	Joint Torique 28,00x3,00	900050-032	
2	Screw HFHTF M6x10	Vis Hex. Taraudeuse M6x10	900708-001	
3	Flange 1" 78mm	Bride 1" 78mm	901320-001	
4	Standard Hose Adapter	Apdaptateur Standard pour Flexib	901531	
5	Nipple 28mm M36x2-R1"	Douille 28mm M36x2-R1"	901767	
6	Pressure Nut 28mm Pipe	Ecrou de Pression Tube 28mm	901770	
7	Pressure Ring 28mm	Bague de Pression 28mm	901771	
8	Gasket - Flange 78-82	Joint de bride 78-82	901859	
9	Manchon G1"	Manchon G1"	901867-001	
10	Pipe 28mm SAT Left	Tube 28mm SAT Gauche	901993	
11	Pipe 28mm SAT Right	Tube 28mm SAT Droite	901994	
12	Bracket Roller/Adapter Combined	Support Combiné Rouleau/Adaptat.	906647	

SINGLE COIL



DOUBLE COIL

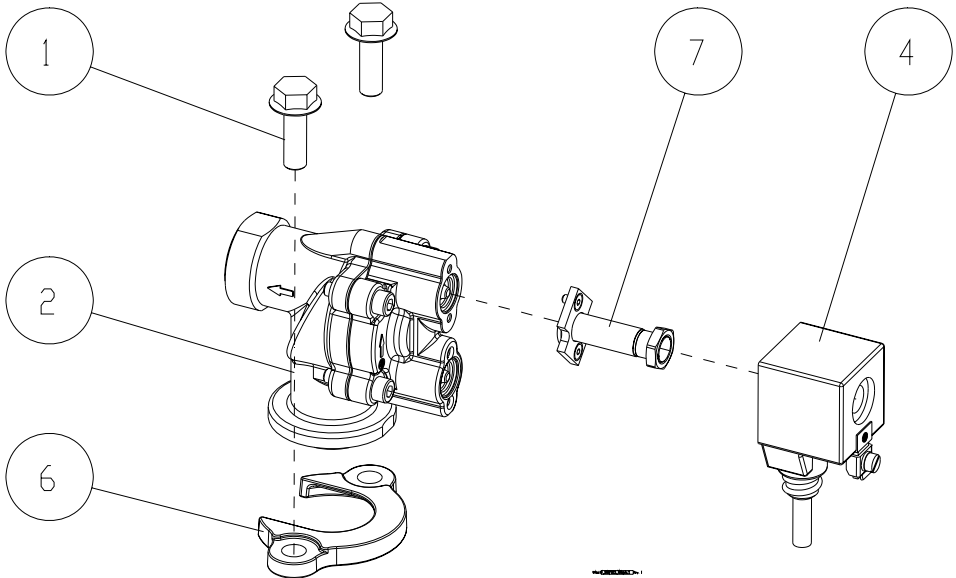
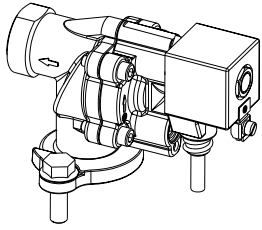


4.7 Valve & Fittings Assemblies

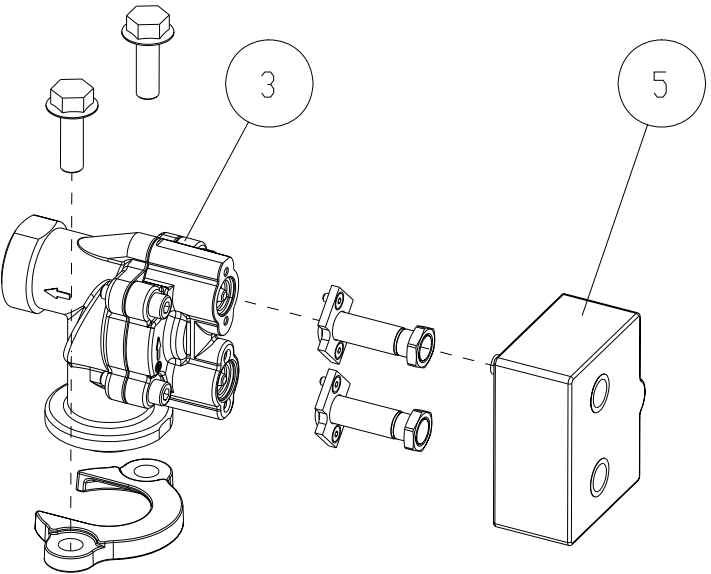
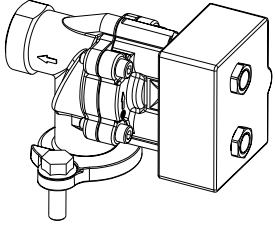
4.7.1 SIB VALVE ASSEMBLIES

Item No	Description	Désignation Français	Part No	Comments
1	Screw HFHSL M8x25	Vis Hex Br Autobl M8x25	900016-007	
2	SIB Flange Valve	Bride EV SIB	941951	
3	SIB Valve Body TQM	Corps Electrovanne SIB TQM	943227	
4	Single Coil 24Vcc	Bobine Mono 24Vcc	943233	
5	Double Coil 24Vcc	Bobine Double 24Vcc	943234	
6	Pilot 2/2NC S8 Brass	Pilote 2/2NF S8 Laiton	943236	
7	Stop Valve Brass	Bouchon Soupape Laiton	943238	

SINGLE COIL

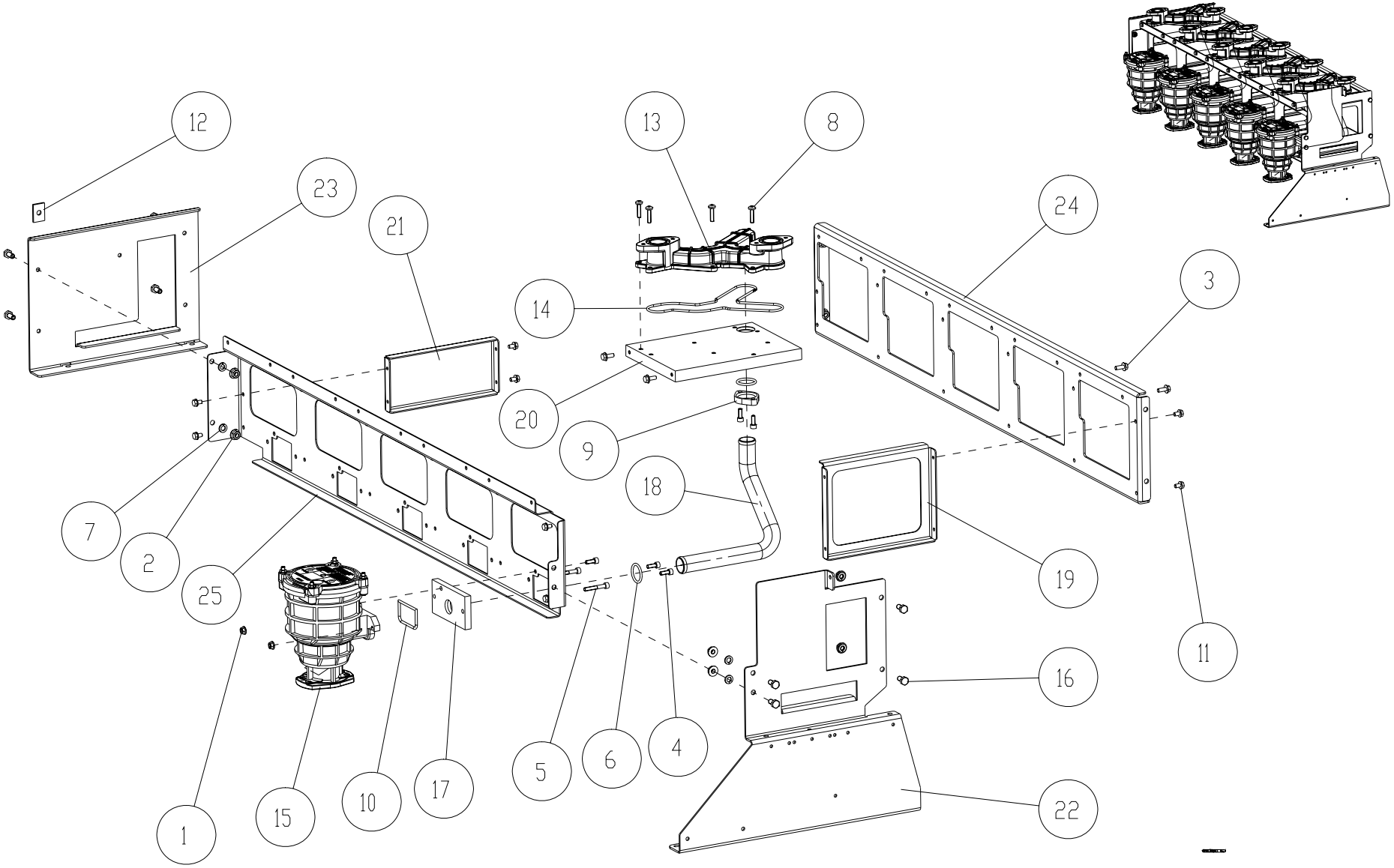


DOUBLE COIL



4.7.2 DANFOSS VALVE ASSEMBLIES

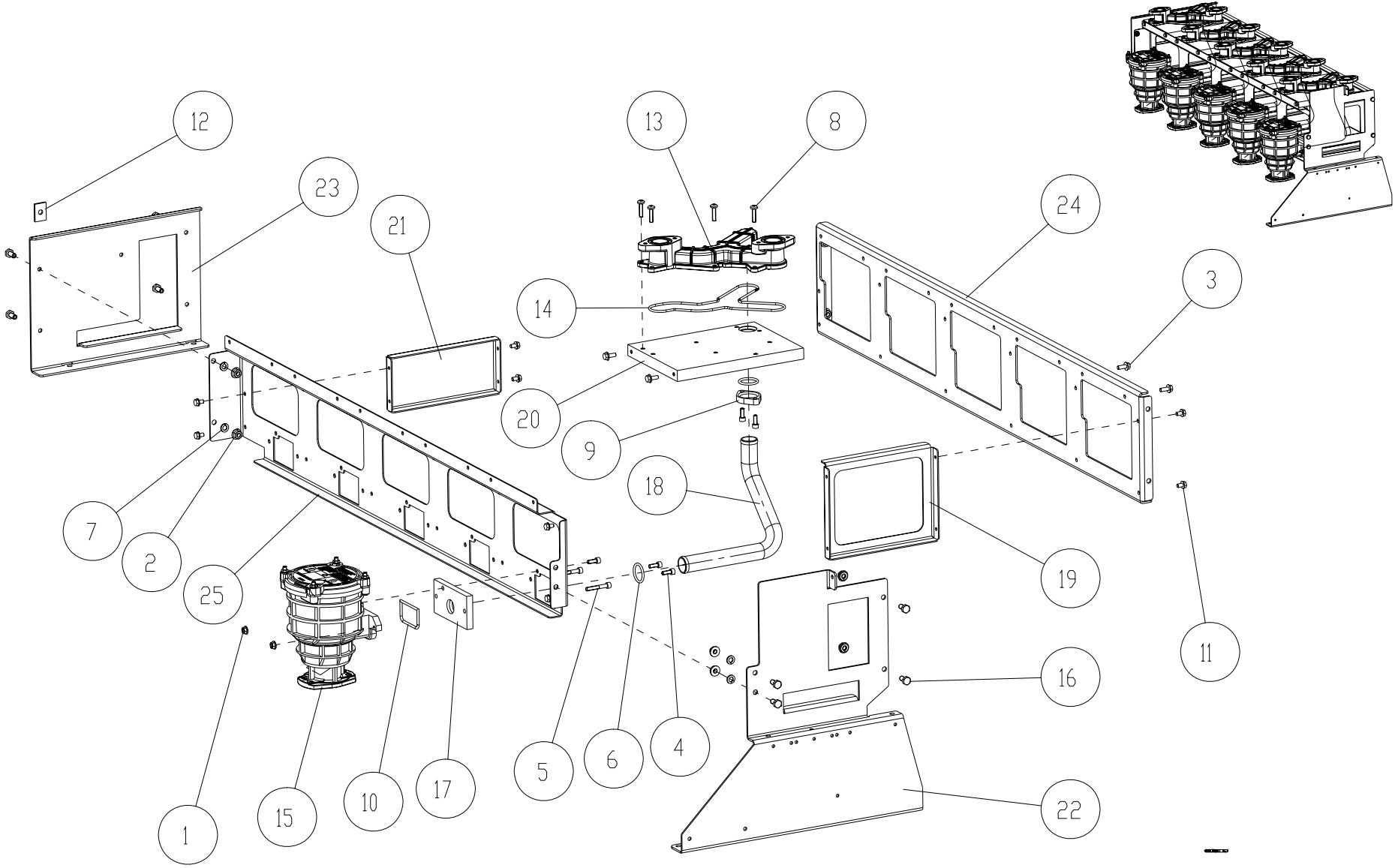
Item No	Description	Désignation Français	Part No	Comments
1	Screw HFHSL M8x25	Vis Hex Br Autobl M8x25	900016-007	
2	Danfoss Valve Body Single	Danfoss Valve Body Simple	946676	
	Danfoss Valve Body Single HS/LS	EV Danfoss Corps Simple HS/LS	946678	
	Danfoss Valve Body Single E85	EV Danfoss Corps Simple E85	946679	
3	Danfoss Valve Body Double	EV Danfoss Corps Double	946677	
	Danfoss Valve Body Double E85	EV Danfoss Corps Double E85	946680	
4	Danfoss Valve Single Coil 24V	EV Danfoss Simple Bobine 24V	946681	
	Danfoss Valve Single Coil 230V	EV Danfoss Simple Bobine 230V	946683	
5	Danfoss Valve Double Coil 24V	EV Danfoss Double Bobine 24V	946682	
6	Danfoss Valve Flange	EV Danfoss Bride	946684	
7	Danfoss Valve Pilot	EV Danfoss Pilote	946685	



4.8 Submerged Assembly

Item No	Description	Désignation Français	Part No	Comments
1	Nut Hex Self Lock M6	Ecrou Bride Autobloquant M6	900013-003	
2	Nut Hex Self Lock M8	Ecrou Bride Autobloquant M8	900013-004	
3	Screw HFHSL M6x16	Vis Hex Br Autobl M6x16	900016-004	
4	Screw HSHC M6x16	Vis CHC M6x16	900017-007	
5	Screw HSHC M6x40	Vis CHC M6x40	900017-009	
6	O-Ring 27,80x3,60	Joint Torique 27,80x3,60	900050-016	
7	Washer Spring Lock M8	Rondelle Elast. Washer M8	900051-001	
8	Screw Torx Thr Form BH M6 x 25	Vis Torx Auto FTCBL Tril M6 x 25	900053-004	
9	Flange - oval D28	Bride ovale D28	900475	
10	O-ring Filterbox	Joint de Filtre	900635	
11	Screw HFHTF M6x10	Vis Hex. Taraudeuse M6x10	900708-001	
12	Damper Pump Foot	Assourdisseur de Pompe Pied	905324	
13	Collector SM80	Collecteur SM80	908526	
14	O-ring Collector Stack EPZ	Joint Collecteur EPZ Stack	908527	
15	Assy Filterbox Submerged Low Temp	Asm Filtrebox Immergee Grand Froi	940904	
16	Screw Nylon Shear M8 x 16	Vis Nylon Cisaillement M8 x 16	941002	
17	Adaptor Submerge Filterbox	Adapteur Immergee Filtreboite	941340	
18	Pipe Filter to Meters Submerged	Tube Filtre vers mes Immergee	942433	
19	Bracket Lateral Submerged	Support Lateral Immergee	942449	
20	Adaptor Block	Bloc d'Adapteur	942461	
21	Bracket Sub Last Position	Supp Imm Demiere Position	942634	
22	Bracket Submerged Lower	Support Immergee Abaissez	942855	
23	Bracket Submerged Last Position	Supp. Immergee Dernière Position	942856	
24	Bracket Sub Side A (2 Hyd Position)	Support Imm. Cote A (2 Hyd Position)	942847	
	Bracket Sub Side A (3 Hyd Position)	Support Imm. Cote A (3 Hyd Position)	942848	
	Bracket Sub Side A (4 Hyd Position)	Support Imm. Cote A (4 Hyd Position)	942849	
	Bracket Sub Side A (5 Hyd Position)	Support Imm. Cote A (5 Hyd Position)	942850	

(Cont.)

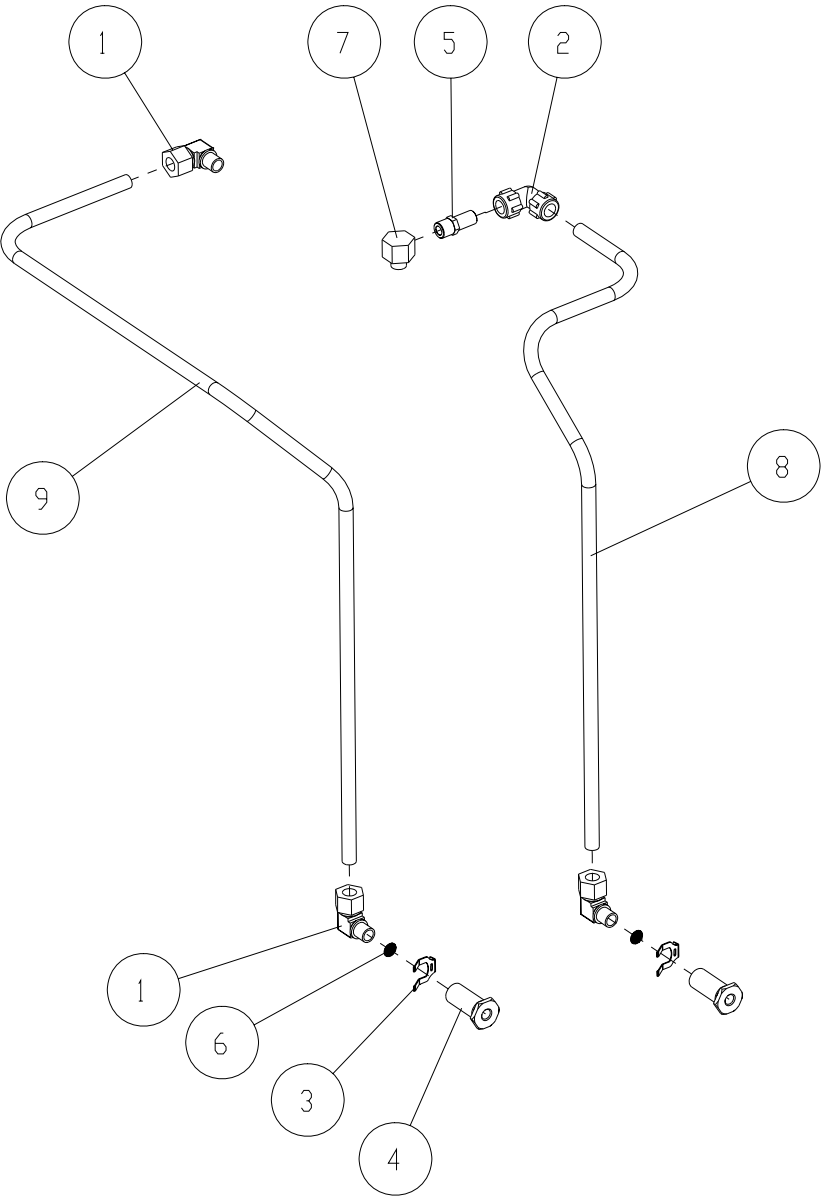
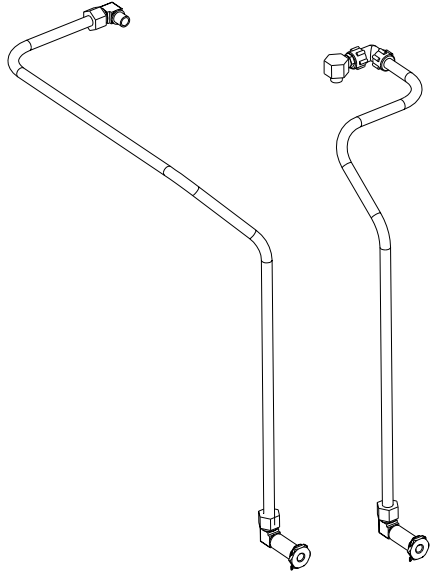


4.8 Submerged Assembly (Cont.)

Item No	Description	Désignation Français	Part No	Comments
25	Bracket Sub Side B (2 Hyd Position)	Support Imm. Cote B (2 Hyd Position)	942851	
	Bracket Sub Side B (3 Hyd Position)	Support Imm. Cote B (3 Hyd Position)	942852	
	Bracket Sub Side B (4 Hyd Position)	Support Imm. Cote B (4 Hyd Position)	942853	
	Bracket Sub Side B (5 Hyd Position)	Support Imm. Cote B (5 Hyd Position)	942854	

PAS V3/TQP-HS

EPZ/TQP-RS



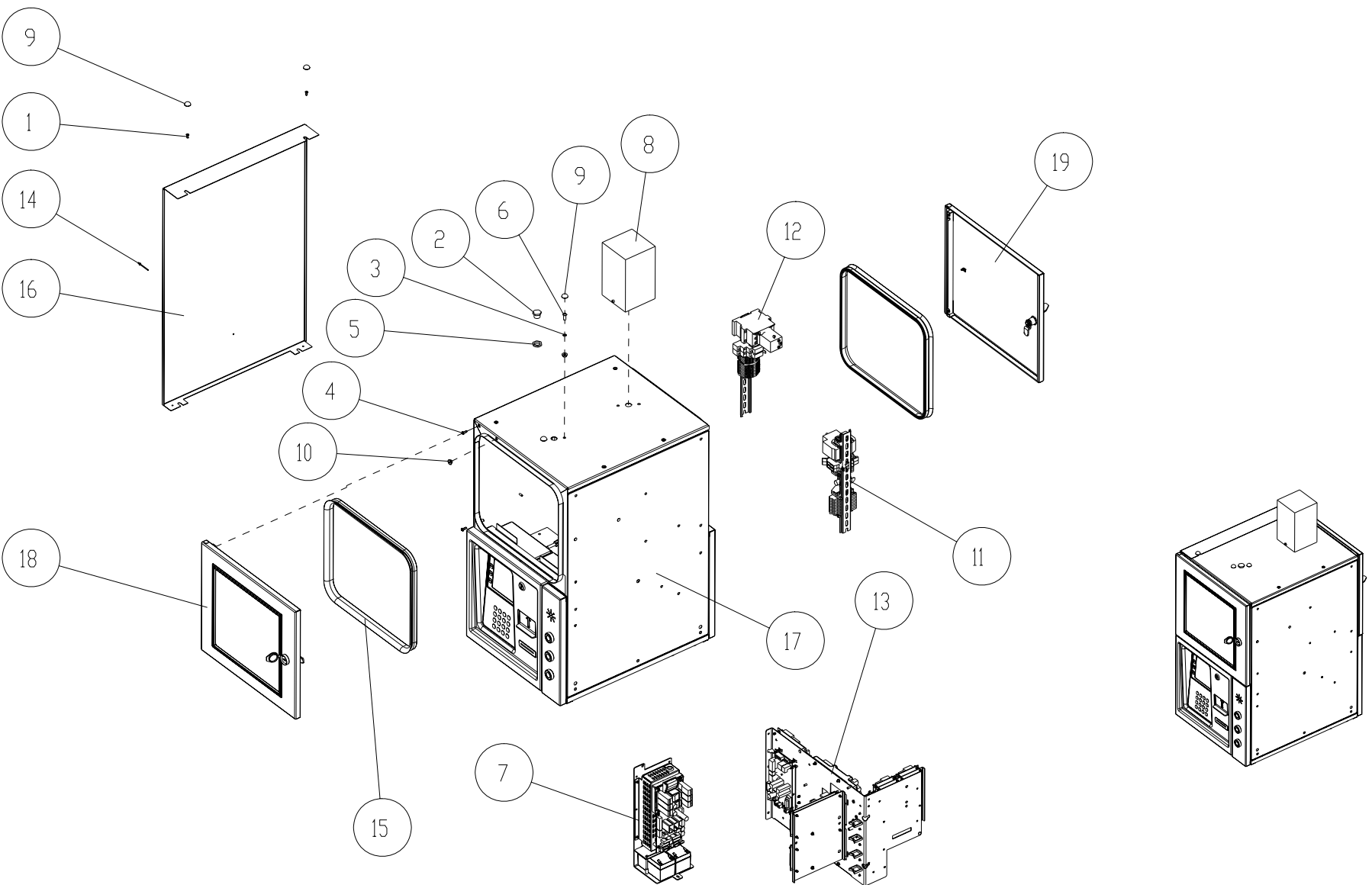
4.9 Air Vent Pipe Assemblies

Item No	Description	Désignation Français	Part No	Comments
1	Elbow Compr 1/4" BSPM 12mm	EQ-PIQ-M12-1/4	900031-001	
2	Elbow Compr 12 x 12 mm	Rac EQ Egale D12	900033-001	
3	Clip Horse-Shoe	Fixation H/Shoe	900057	
4	Vent Outlet	Mise à l'Atmosphère	901724	
5	Adaptor Dia12 Male - 1/4" Male	Adapt Dia12 Male - 1/4" Male	901754-001	
6	Gauze - Flame Arrestor	Grillage Pare Flamme	902358	
7	Elbow Vent Float EPZ-T	Coude event EPZ-T	940936	
8	Pipe - Air Vent EPZ	Pipe - Air Vent EPZ	945642	EPZ / TQP-RS only
9	Pipe - Air Vent PAS V3	Pipe - Air Vent PAS V3	945649	PAS V3 / TQP-HS only

This page is intentionally blank

CONTENTS

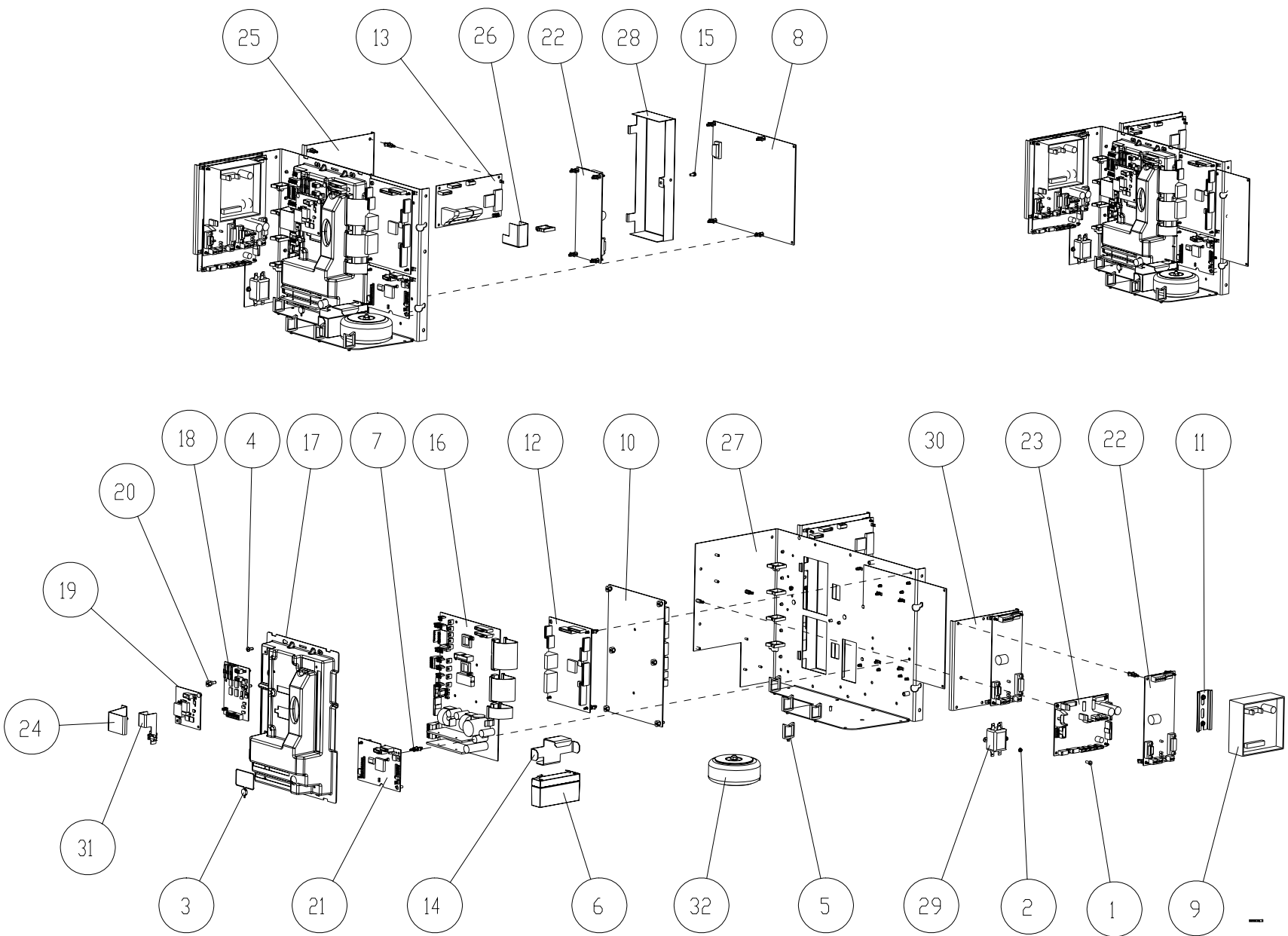
5	DISPENSER ELECTRONICS	5-2
5.1	Calculator Head Assembly	5-2
5.2	Centre Plate Assembly	5-4
5.3	Door Assembly	5-8
5.4	Mains Switch Rail Assembly	5-10
5.5	Shock Detection Rail Assembly	5-12
5.6	Wincor Calculator Head Assembly	5-14
	5.6.1 Wincor Door Assemblies	5-16
5.7	Signal Lamp Assemblies	5-18
5.8	Dispenser Integrated Terminal Assembly [DIT]	5-20
5.9	DIT Door Assemblies	5-24
5.10	Power Supply Unit for DIT Assembly	5-26
5.11	Main Junction Box Assembly	5-28
	5.11.1 Main Junction Box Internal Components	5-30
5.12	Speaker Junction Box Assembly	5-32
5.13	Speaker/MiniSat Junction Box Assembly	5-34
5.14	Fire Detection Assembly	5-36
5.15	Wincor Mains Rail Assembly	5-38



5 DISPENSER ELECTRONICS

5.1 Calculator Head Assembly

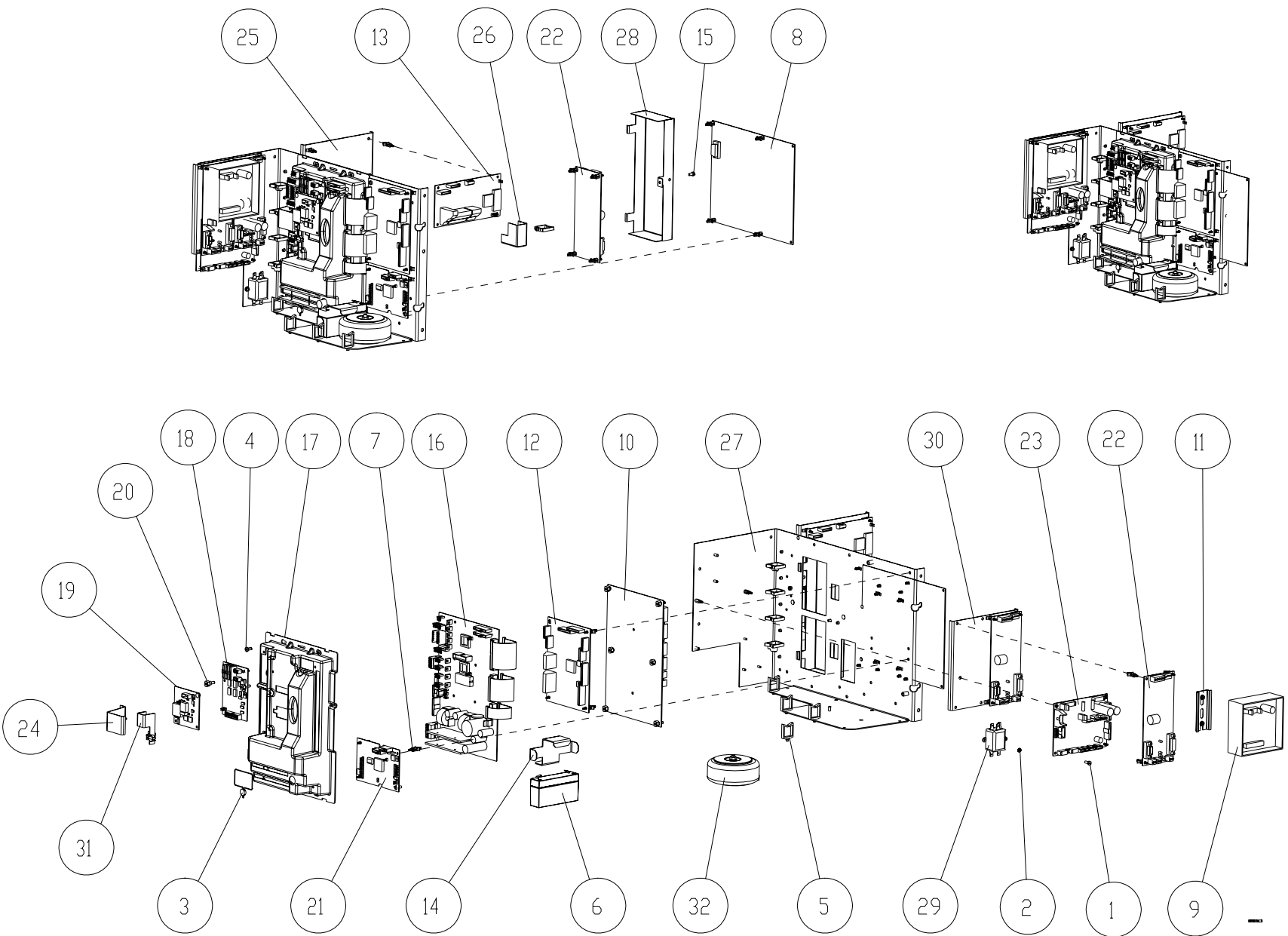
Item No	Description	Désignation Français	Part No	Comments
1	Screw SCS M4x10	Vis FS M4x10	900014-009	
2	Plug M16 x 1,5 EEXE/IP66	Bouchon PG M16 x 1,5 EEXE/IP66	900044-004	
3	O-ring 5,70x1,90	Joint Torique 5,70x1,90	900050-044	
4	Screw Torx Thr Form BH M4x12	Vis Torx Auto FTCBL Tril M4x12	900053-005	
5	Nut Hex M16 x 1,5 (Capri)	Ecrou Hex M16 x 1,5 (Capri)	900088-004	
6	Screw HSB M6x16	Vis M6x16	900795-002	
7	DIT PSU Assembly	DIT PSU Assemblée	-	Refer to DIT PSU Assembly
8	Lamp Assembly	Abot Jour	-	Refer to Signal Lamp Assemblies
9	Snap Cap White M6	Chapeau Vis Blanc M6	903192-001	
10	Gore Supra Vent	Gore Supra Vent	906628	
11	Rail TS-35 Assy 230Vac	Rail TS-35 Assy 230Vac	-	Refer to Shock Detection Rail Asm
12	Mains Switch Rail Asm	Mains Switch Rail Asm	-	Refer to Mains Switch Rail Asm
13	Centreplate	Centreplate	-	Refer to Centreplate Assembly
14	Rivet Cs Open End 3.2x6	Rivet Fraise Ouvert 3.2x6	909586-001	
15	Electronic Box Seal	Joint Tete Electro.	942596	
16	Front Cladding Single Box	Habillage Avant Tete Electr.	942598	Standard
	Front Cladding Single Box SST	Habillage Avant Tete Electr. Inox	942599	Stainless Steel
	Front Cladding Single Box ACP	Habillage Avant Tete Electr. ACP	942600	Additional Corrosion Protection
	Front Cladding Single Box Typeplate	Hab Avant Tete Electr. Boite Plaque	942601	Standard with Typeplate
	Front Cladding Single Box Typeplate SST	Hab Avant Tete Electr. Boite Plaque Inox	942602	Stainless Steel with Typeplate
	Front Cladding Single Box Typeplate ACP	Hab Avant Tete Electr. Boite Plaque ACP	942603	Add. Cor. Protection with Typeplate
17	Single Electronic Weld Assy Std	Tete Electr. Soudée Asm WWC	942550	Standard
	Single Electronic Weld Assy Std OPT	Tete Electr. Soudée Asm WWC OPT	943144	OPT option only
18	LCD Calculator Door Assembly	Portillon LCD Q500T1 Equiped	-	Refer to Calculator Door Assemblies
19	Blind Calculator Door Assembly	Portillon Aveugle Asm	-	Refer to Calculator Door Assemblies



5.2 Centre Plate Assembly

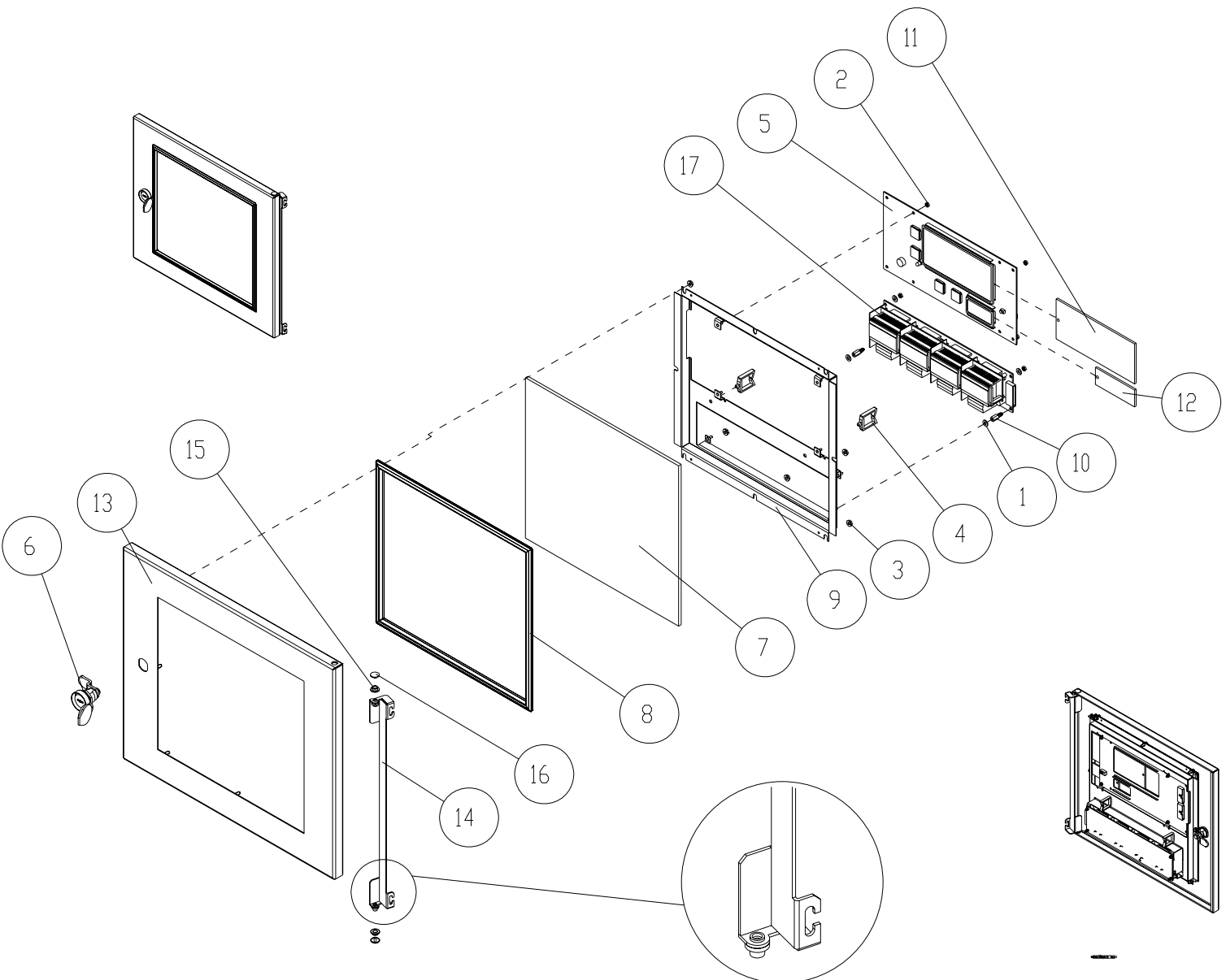
Item No	Description	Désignation Français	Part No	Comments
1	Screw SCH M4x10	Vis CS M4x10	900007-001	
2	Nut Hex Self Lock M3	Ecrou Bride Autobloquant M3	900013-006	
3	Sealing Lead	Plomb à Pincer	900040	
4	Screw CRRCH M4x10	Vis CBLZ M4x10	900052-003	
5	Wire Clip max entas. 19	Fixation câble Max Bundle 19	900058-001	
6	Battery 6V 1.2 Ah	Batterie 6V 1.2 Ah	900075-001	
7	Lock. Circuitboard Support 9,5mm	Tabl circ verrouil Sup. 9.5mm	900456-001	
8	COCA SOM Speaker Board	COCA SOM Haut Parler Monte	900550	
9	ERZ Assy VFM Zener Barrier	ERZ assy VFM Zener Barrier	901207	
10	WWC IO Board V5	WWC IO Board V5	901410	
11	Rail TS 35 L=75	Rail de Bornier TS35 L=75	901432-001	
12	OCB (Option Controller Board)	Le Controleur d'Option Monte	901538	
13	HOM (Hydraulic Option Module)	Module Hydraulique d'Option	901539	
14	Bracket Battery Calculator	Encadrer Calc de Batterie	901545	
15	M4x8 Sealing Screw 5-8 StZn	M4x8 Scellant VIS 5-8 StZn	901551-001	
16	WWC Mainboard V4	WWC Mainboard V4	901553	
17	WWC-251-Cover	WWC-251-Couvrir	901559	
18	PCB/WWC022/EIB/IO EXT BRD	PCB/WWC022/EIB/IO EXT MONTE	901561	
19	WWC Comms Board LON/IFSF	WWC Communication Monter LON/IFSF	902254	
	WWC Comms Board M32/M3000	WWC Communication Monter M32/M3000	902255	
	WWC Comms Board ZSR/FM	WWC Communication Monter ZSR/FM	902256	
	WWC Com. Brd Kienzle/ER3/S&B/DOMS	WWC Com. Monter Kienzle/ER3/S&B/DO	902257	
	WWC Comms Board Autotank	WWC Communication Monter Autotank	902258	
	WWC Comms Board Dresser/EPS	WWC Com. Monter Dresser/EPS	902259	
	WWC Comms Board Tokheim	WWC Communication Monter Tokheim	902260	
	WWC Comms Board Logitron	WWC Communication Monter Logitron	902261	
	WWC Comms Board EIN/Sofitam/82D	WWC Com. Monter EIN/Sofitam/82D	900329	
	WWC Comms Board Nouvo Pignioni	WWC Com. Monter Nouvo Pignioni	940258	

(Cont.)



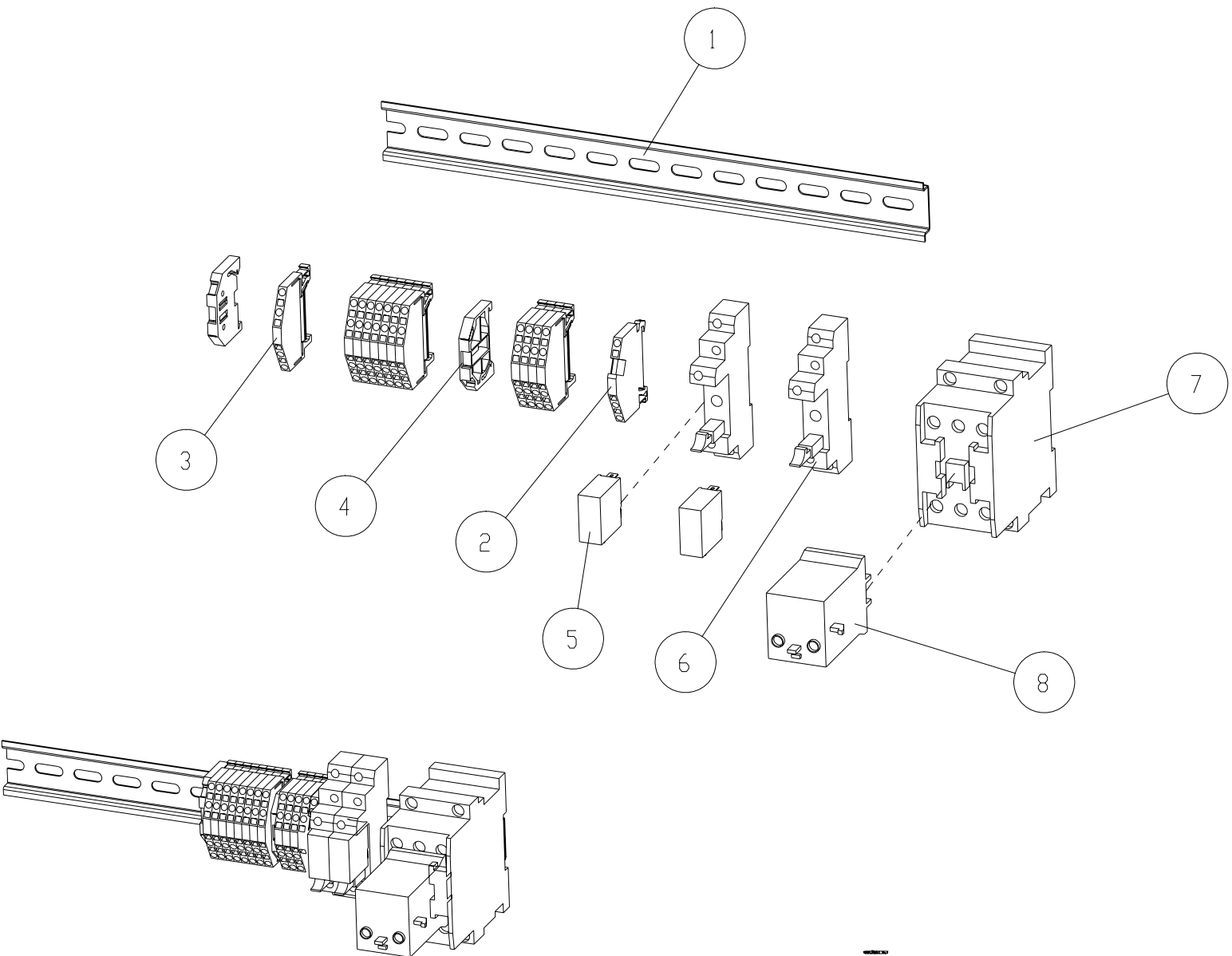
5.2 Centre Plate Assembly (Cont.)

Item No	Description	Désignation Français	Part No	Comments
20	11mm Nylon Board Support	11mm Nylon monter Soutien	901563-002	
21	User Access Module IR	Utilisateur Accede le Module IR	901565	
22	EPSI Interface ZSR/B 2 IN 1	EPSI Interface ZSR/B 2 IN 1	902958	
23	VRC-3 ECVR Board	VRC-3 ECVR Board	904197	
24	Mainboard Pulser Seal	Mainboard Pulser Seal	906486	
25	HOM Bracket	Support HOM	906533	
26	HOM Sealing Bracket	Couverture de Scellage	906534	
27	WWC-T1 Centre Plate v1 Assy	WWC-T1 Centre Plaquer v1 Assy	906536	
28	Sealing Cover IO	Couvercle Plombage Carte I/E	906644	
29	Mains Filter	Filtre de Forces	906645	
30	EPSI Bracket	EPSI Bracket	907748	
31	Pulser Cover	Couvercle Emmetteur	9400025980	
32	WWC Toroidal Transformer	WWC Toroidal Transformateur	901541	



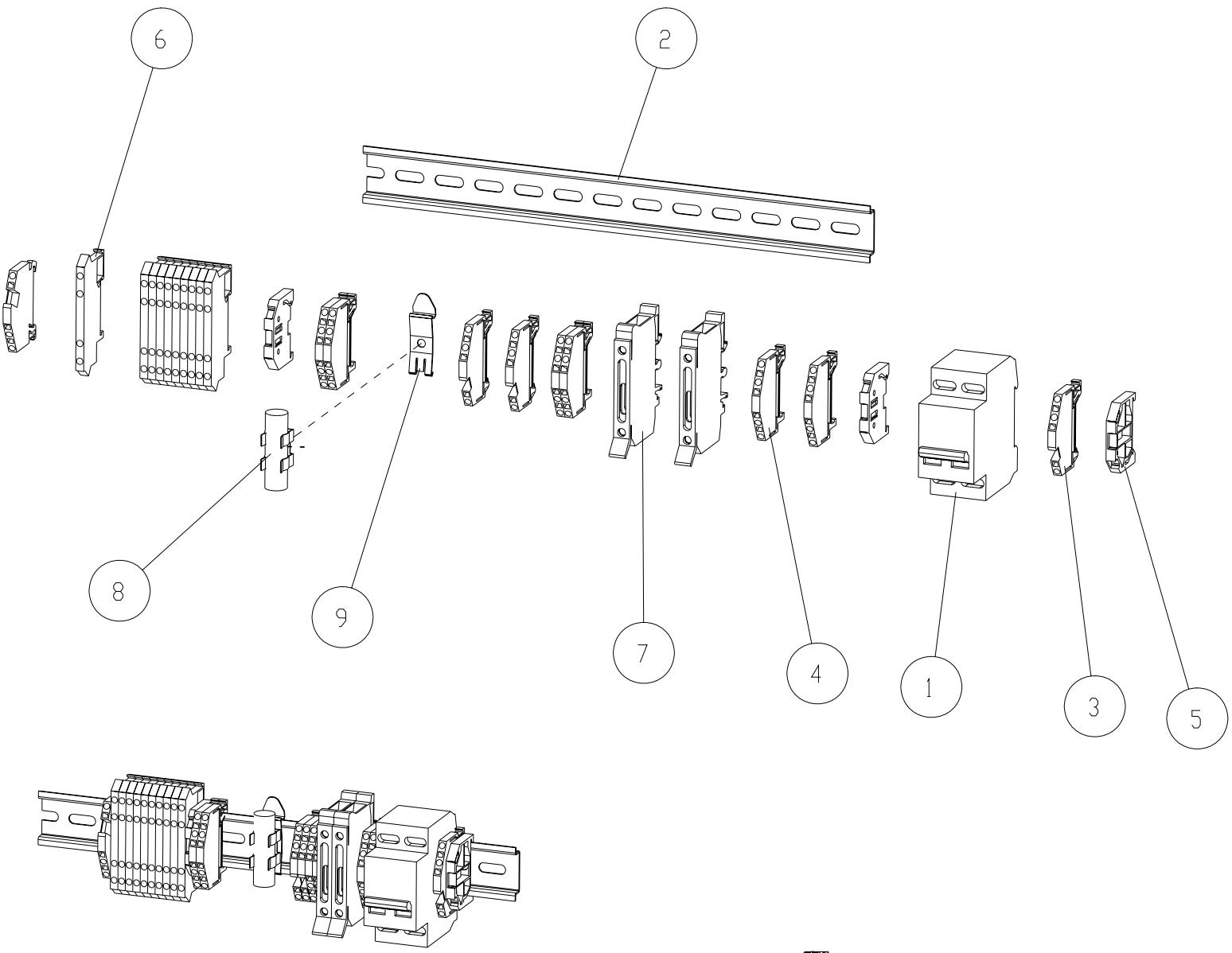
5.3 Door Assembly

Item No	Description	Désignation Français	Part No	Comments
1	Washer PI M4	Rondelle PI M4	900008-001	
2	Nut Hex M3	Ecrou H M3	900011-008	
3	Nut Hex Self Lock M4	Ecrou Bride Autobloquant M4	900013-001	
4	Wire Clip Max Entas. 19	Fixation câble Max Bundle 19	900058-001	
5	Customer Sales Display LCD	Afficheur prix de vente LCD	904788	
6	Lock Assy	Lock Assy	-	Refer to Lock Assembly
7	Glass Q500T1	Glace Q500T1	905873	
8	Calc Door Seal Moulded Q500T1	Joint Porte Calc Moule Q500T1	905874	
9	LCD Back Plate Q500T1	Support LCD Q500T1	905875	
10	Standoff Locking M3 6x10	Entretoise clip M3 6x10	906122-001	
11	CSD LCD Diffuser VAM	Diffuseur À LCD DE CSD VAM	906604-001	
12	CSD LCD Diffuser PPU	Diffuseur LCD DE CSD PPU	906604-002	
13	Calculator Door Weld Assy	Portillon soudé Asm	942561	
	Calculator Door Blind Weld Assy	Portillon Aveugle soudé Asm	942942	
	Calculator Door ACP Weld Assy	Portillon soudé ACP Asm	942943	
	Calculator Door Blind ACP Weld Assy	Portillon Aveugle soudé ACP Asm	942944	
14	Hinge Inner Assy	Charniere Asm	942566	
15	CSD LCD Diffuser VAM	Diffuseur À LCD DE CSD VAM	906604-001	
16	CSD LCD Diffuser PPU	Diffuseur LCD DE CSD PPU	906604-002	
17	PCB assy/OPU/1 PR Right EMT	PCB asm/OPU/1 PR D EMT	906897-002	
	PCB assy/OPU/2 PR Left EMT	PCB asm/OPU/2 PR G EMT	906897-003	
	PCB assy/OPU/2 PR Right EMT	PCB asm/OPU/2 PR D EMT	906897-004	
	PCB assy/OPU/3 PR L/R EMT	PCB asm/OPU/3 PR G/D EMT	906897-005	
	PCB assy/OPU/4 PR Left EMT	PCB asm/OPU/4 PR G EMT	906897-006	
	PCB assy/OPU/4 PR Right EMT	PCB asm/OPU/4 PR D EMT	906897-007	
	PCB assy/OPU/5 PR L/R EMT	PCB asm/OPU/5 PR G/D EMT	906897-008	
	PCB assy/OPU/2nd PR L/R EMT	PCB asm/OPU/2eme PR G/D EMT	906897-009	
	PCB assy/OPU/1 PR L+1 PR R EMT	PCB asm/OPU/1 PR G+1 PR D EMT	906897-010	



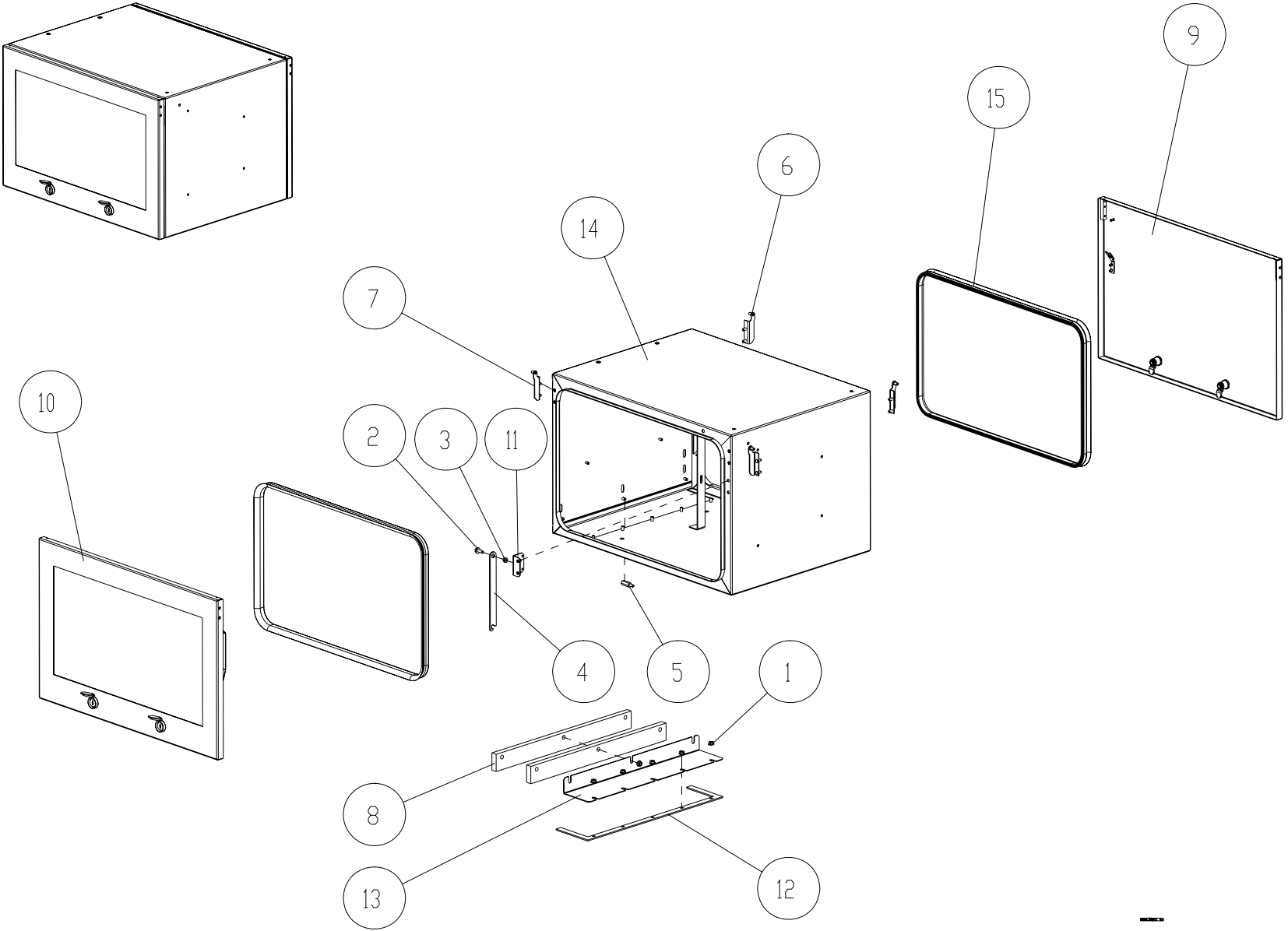
5.4 Mains Switch Rail Assembly

Item No	Description	Désignation Français	Part No	Comments
1	Rail TS 35 I=320	Rail de Bornier TS 35 I=320	901432-004	
2	Clamps 3 Ways 2.5QMM Green/Yellow	Borne 3 Voies 2.5QMM Vert/Jaune	901710-001	
3	Clamps 4 Ways 2.5QMM Grey	Borne 4 Voies 2.5 QMM Gris	901711-001	
4	Endstop Grey 35mm 249-116	Butée Arrêt Grise 35mm 249-116	901712-001	
5	Relay 10A Single Pole Contact	Relais Contact Simple Pole 10A	902236-001	
6	Relay Socket TS35 RAIL 10A 25	Cavité Relais TS35 Rail 10A 25	902237-001	
7	Contacteur DIL 0M 230V 50Hz	Contacteur DIL 0M 230V 50Hz	905174-001	
8	Mechanical Latch Module V DIL-230V 50Hz	Mechanical Latch Module V DIL-230V 50Hz	905175-001	



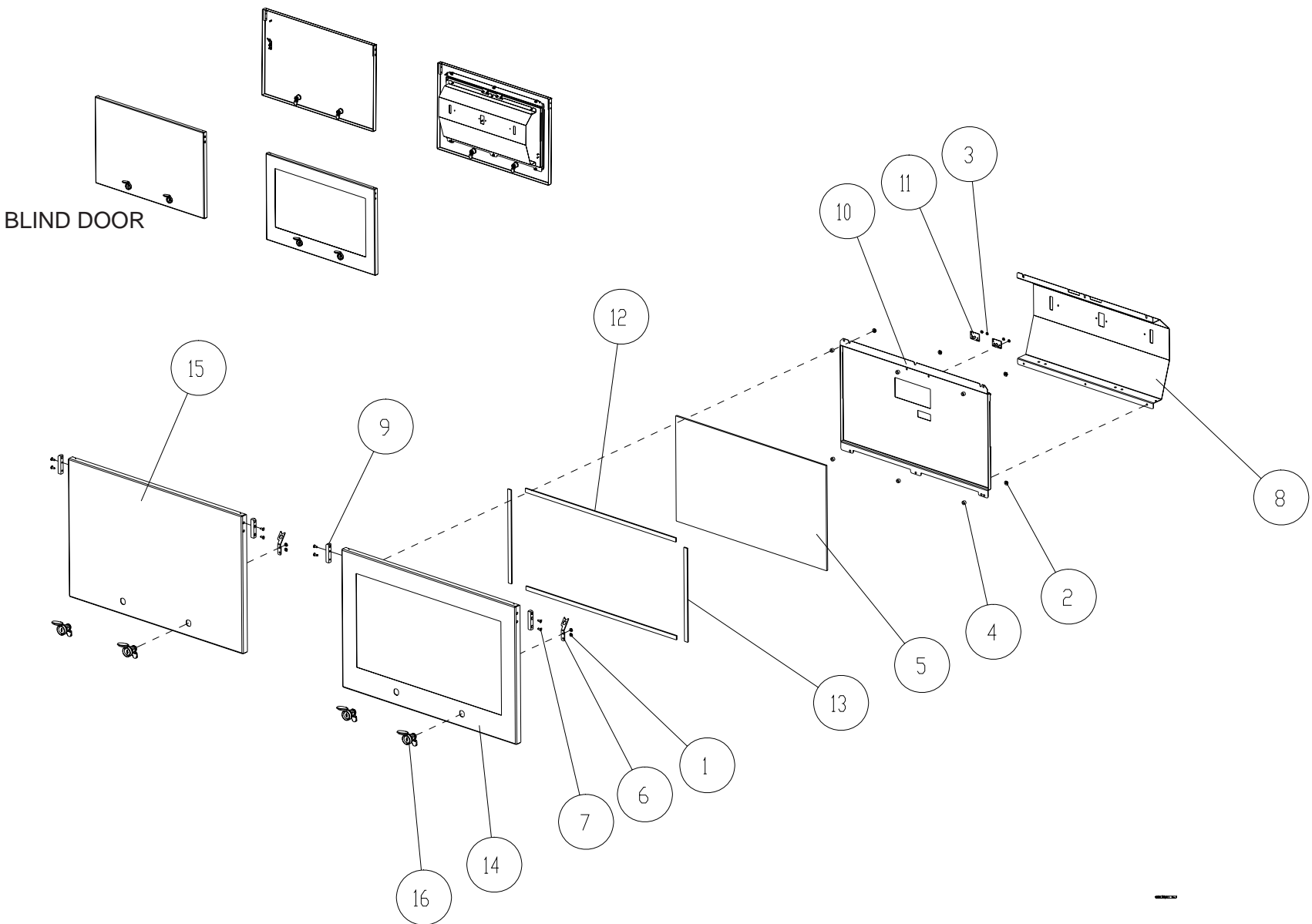
5.5 Shock Detection Rail Assembly

Item No	Description	Désignation Français	Part No	Comments
1	Main Switch	Commutation Principale	900074	
2	Rail TS 35 I=320	Rail de Bornier TS 35 I=320	901432-004	
3	Clamps 3 Ways 2.5QMM Green/Yellow	Borne 3 Voies 2.5QMM Vert/Jaune	901710-001	
4	Clamps 4 Ways 2.5QMM Grey	Borne 4 Voies 2.5 QMM Gris	901711-001	
5	Endstop Grey 35mm 249-116	Butée Arrêt Grise 35mm 249-116	901712-001	
6	Terminal Clamp 2x2 Way	Terminal Clamp 2x2 Way	901714-001	
7	Fuse Holder for 6,3x32 Fuse	Porte Fusible Section 6.3x32	903482	
8	Vibration Contact	Vibration Contact	905176	
9	Din Rail Snap-on Bracket	Din Rail Snap-on Bracket	906275-002	



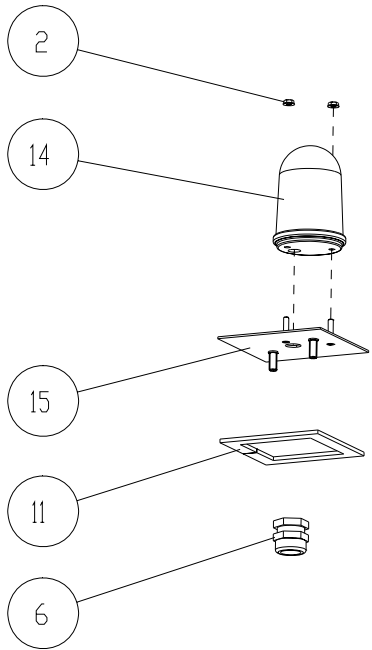
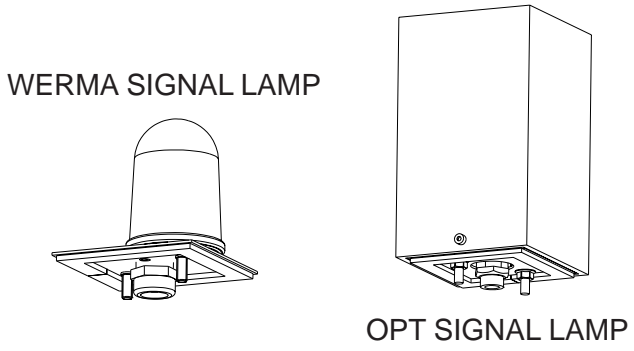
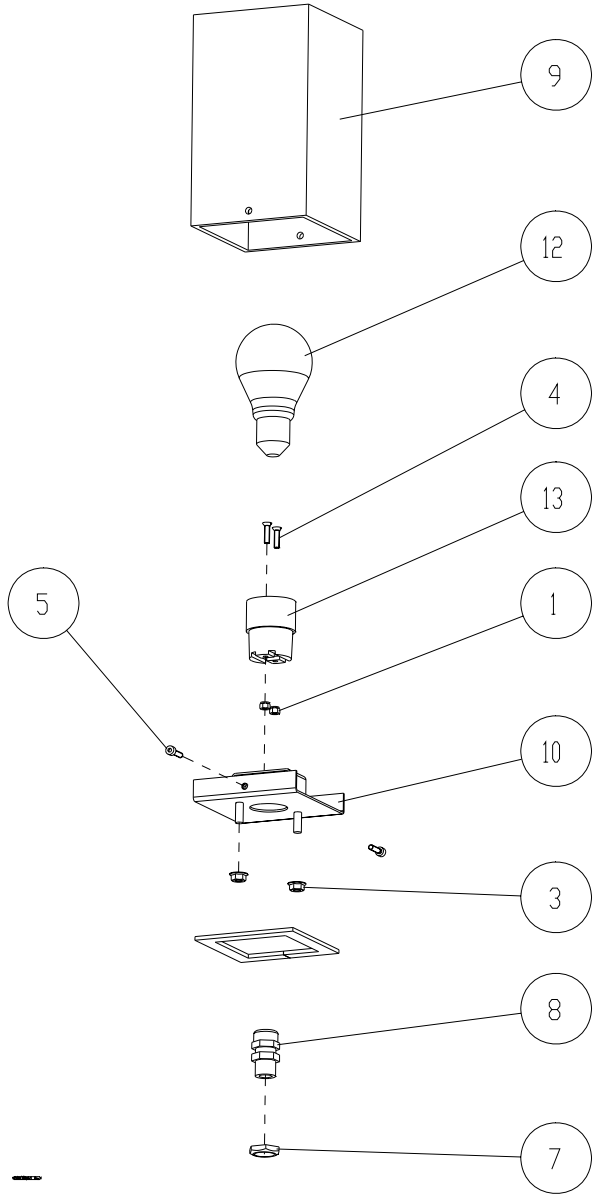
5.6 Wincor Calculator Head Assembly

Item No	Description	Désignation Français	Part No	Comments
1	Nut Hex Self Lock M6	Ecrou Bride Autobloquant M6	900013-003	
2	Screw HFHSL M6x16	Vis Hex Br Autobl M6x16	900016-004	
3	Bearing 6x9x6	Coussinet 6x9x6	900497-001	
4	Stay Arm Calc Door Q500T	Bras Arret Porte Calc Q500T	900578	
5	Spacer Thr Hex MF M6x25x12x13	Entretoise Hex MF M6x25x12x13	900711-025	
6	Hinge Bracket A1/B2 Assy Q5	Equerre A1/B2 Asm Q5	904122	
7	Hinge Bracket A2/B1 Assy Q5	Equerre A2/B1 Asm Q5	904123	
8	Vapour Gasket	Joint de Vapeur	907303	
9	Calc Door Blind Assy	Portillon Aveugle Assy	-	Refer to Wincor Door Assemblies
10	Wincor Door Assembly	Wincor Port Assy	-	Refer to Wincor Door Assemblies
11	Stay Bracket Assy Wincor	Arret Supp Asm Wincor	908216	
12	Gasket - Gland Plate Calc	Joint - Glante Plt Calc	908224	
13	Plate Gland Seal Wincor	Barrier de Vapeur Wincor	946795	
14	Electronic Head Box Asm Wincor	Tete Electronique Asm Wincor	946863	
15	Electronic Box Seal Wincor	Joint Tete Electro. Wincor	946868	



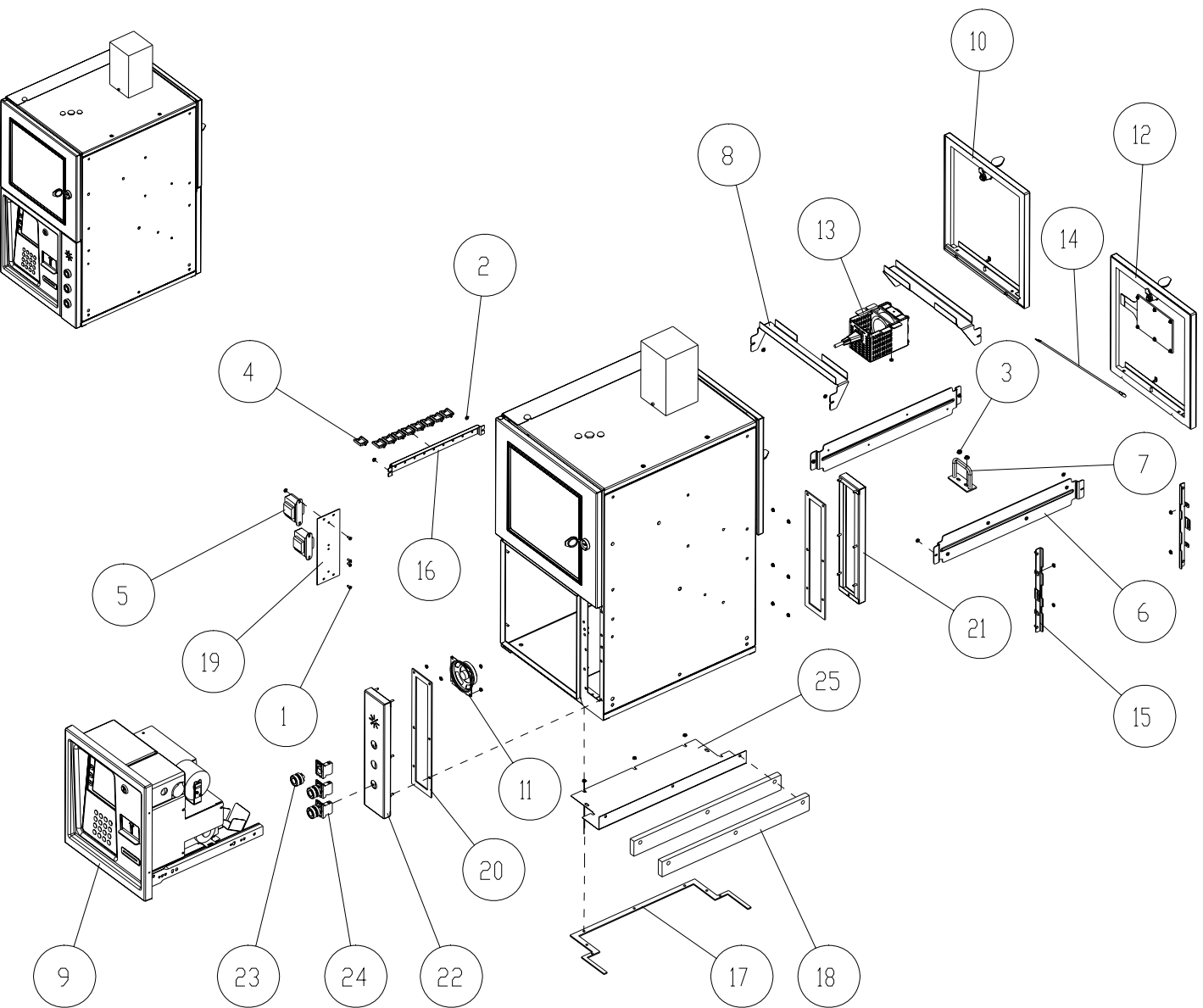
5.6.1 WINCOR DOOR ASSEMBLIES

Item No	Description	Désignation Français	Part No	Comments
1	Nut Hex Self Lock M4	Ecrou Bride Autobloquant M4	900013-001	
2	Nut Hex Self Lock M5	Ecrou Bride Autobloquant M5	900013-002	
3	Nut Hex Self Lock M3	Ecrou Bride Autobloquant M3	900013-006	
4	Spacer 5.2x10.0x6.0	Entretoise Cyl 5.2x10.0x6.0	900024-004	
5	Glass - Dial	Glace de Portillon	900170	
6	Stay Tab Calc Door Q500T	Fiche Arret Porte Calc	900577	
7	Screw HSC M4x10	Vis FHC M4x10	900643-002	
8	Reflector - LCD	Parabole Lumière LCD	900691	
9	Hingebar Brass	Gond Porte Colonne	900733	
10	Dial Plate 1x LCD Welded	Trémie Sple LCD Soudée	901228	
11	PCB/WWC019/LOB-ER/VR ERR LED	PCB/WWC019/LOB-ER/VR ERR LED	901358	
12	Gasket - Head Door Horizontal	Joint Portillon Horizontal	903284-001	
13	Gasket - Head Door Vertical	Joint Portillon Vertical	903284-002	
14	Calc Door Assy	Portillon Assy	908116	
	Calc Door Assy ACP	Portillon Assy ACP	908123	Additional Corrosion Protection
15	Calc Door Blind Assy	Portillon Aveugle Assy	908117	
	Calc Door Blind Assy ACP	Portillon Aveugle Assy ACP	908122	Additional Corrosion Protection
16	Lock Assembly	Serrure Porte Asm	-	Refer to Lock Assembly



5.7 Signal Lamp Assemblies

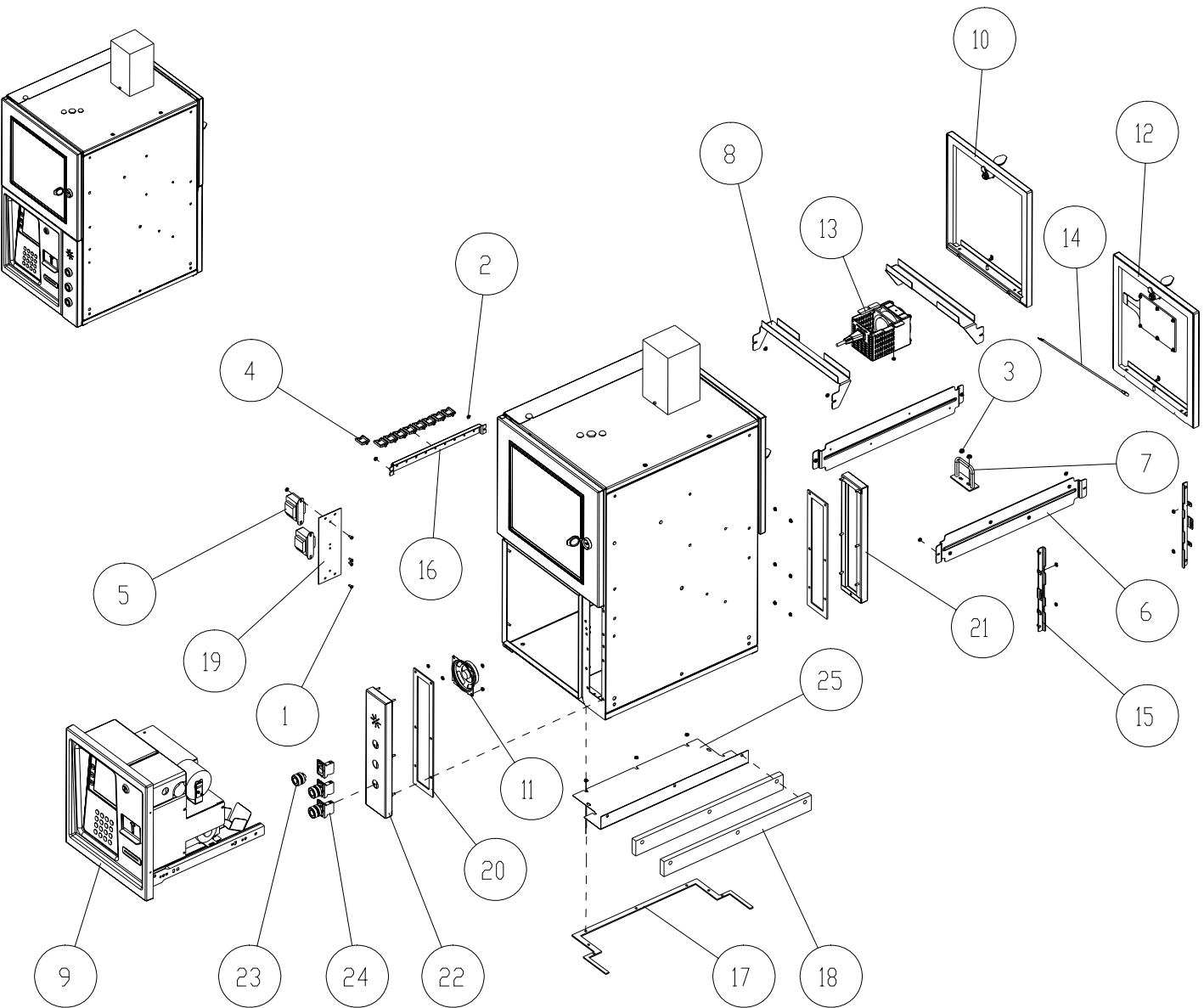
Item No	Description	Désignation Français	Part No	Comments
1	Nut Hex Prev Torque M4	Ecrou Frein M4	900012-004	
2	Nut Hex Self Lock M4	Ecrou Bride Autobloquant M4	900013-001	
3	Nut Hex Self Lock M6	Ecrou Bride Autobloquant M6	900013-003	
4	Screw SCS M4x16	Vis FS M4x16	900014-007	
5	Screw HSHC M4x16	Vis CHC M4x16	900017-014	
6	Gland M12 x 1.5 Eexe II 3.5 - 6mm	PE M12 x 1.5 Eexe II 3.5 - 6mm	900064-002	
7	Nut Hex M16 x 1,5 (Capri)	Ecrou Hex M16 x 1,5 (Capri)	900088-004	
8	GLAND M16X1,5 Eexell 5-8mm	PE M16X1,5 Eexell/ 5-8mm	900362-001	
9	OPT Lamp Cover OPT Lamp Cover Red	OPT Abot Jour OPT Couvre Lampe Rouge	902307 943090	Standard Red
10	OPT Lamp Base	OPT Garniture	902308	
11	OPT Lamp Seal	OPT Etancheteite	902309	
12	Lamp	Lampe	902312-001	
13	E27 Lampfitting	E27 Garniture	902313-001	
14	Werma 210 Signal Lamp	Werma 210 Signal Lamp	943466	
15	Werma Lamp Adaptor	Werma Lamp Adaptor	943467	



5.8 Dispenser Integrated Terminal Assembly [DIT]

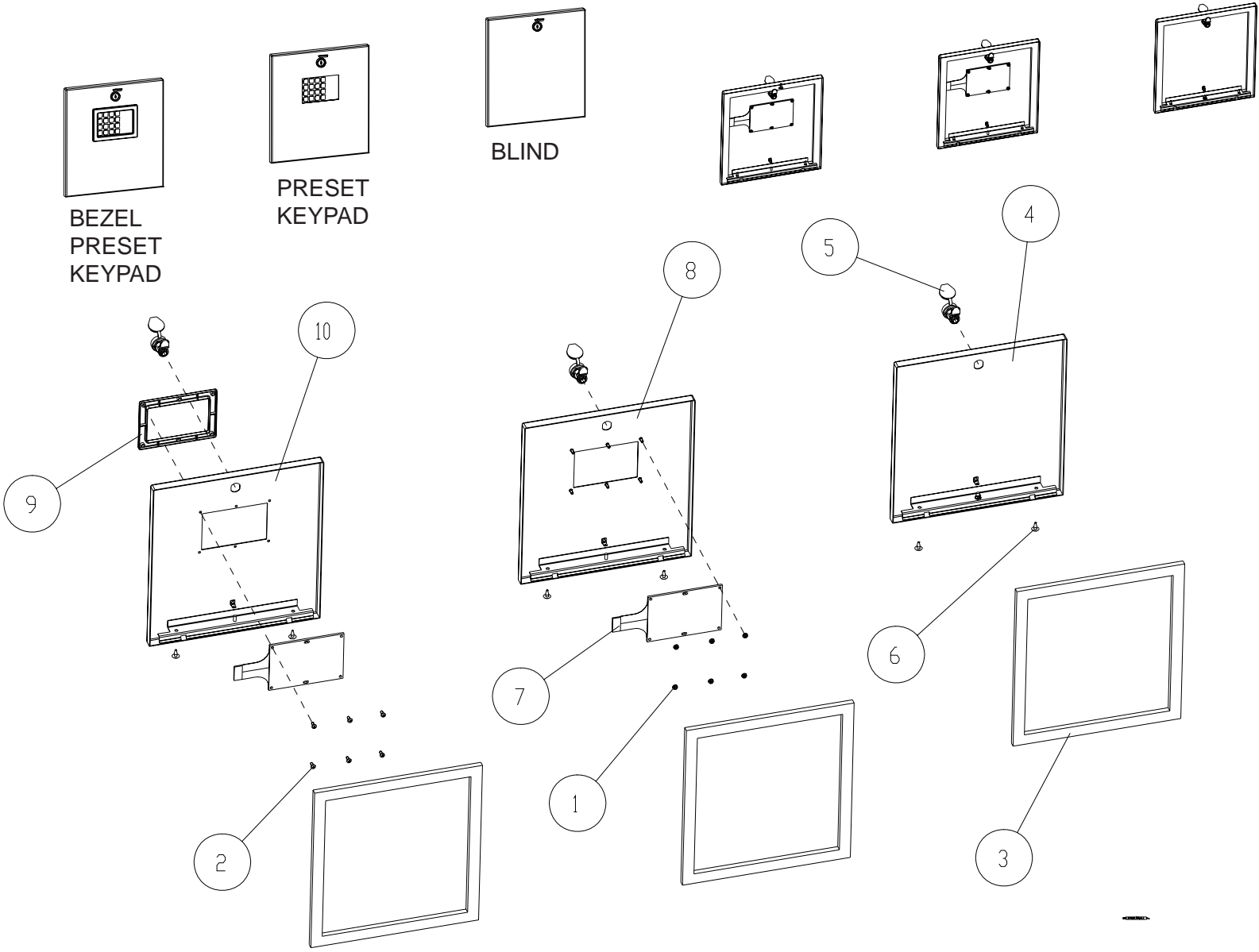
Item No	Description	Désignation Français	Part No	Comments
1	Screw SCH M4x8	Vis CS M4x8	900007-003	
2	Nut Hex Self Lock M4	Ecrou Bride Autobloquant M4	900013-001	
3	Nut Hex Self Lock M5	Ecrou Bride Autobloquant M5	900013-002	
4	Wire Clip max entas. 19	Fixation câble Max Bundle 19	900058-001	
5	8 ohm Speaker Transformer	8 ohm Transformateur Haut	900302	
6	DIT Slide Rail Bracket	DIT Rail de Guidance Bkt	900539	
7	Lock Staple MD	Agrfe Verrouillage MD	900541	
8	DIT-C Cable Bracket	DIT-C Cable Bracket	900542	
9	Optimum MOT-VGA	Optimum MOT-VGA	-	Refer to relevant OPT Manual
10	Blank DIT Door Assembly	DIT Asm Porte Aveugle	-	Refer to DIT Door Assemblies
11	8 ohm pa Speaker	8 ohn pa Haut Parl	901057	
12	Preset Keypad DIT Door	DIT Porte Bloc de Touche Asm	-	Refer to DIT Door Assemblies
13	OPT Heater	Chauffage OPT Assemblé	903593	
14	Earth Cable for Hydraulic Door L=400	Câble Masse Porte Hyd L=400	905930-002	
15	Single Box DIT Drawer Bracket	DIT Tiror Bracket Assy	906239	
16	Cable Support	Support de Cable	906485	
17	Box Vapour Barrier Gasket	Joint de Vapeur	907302	
18	Vapour Gasket	Joint de Vapeur	907303	
19	Bracket Transformer 100V	Transformateur 100V Support	907510	
20	DIT Cladding Gasket	Joint DIT Clad	907799	
21	DIT Clad Assy	DIT Placage Assy	907807	
	DIT Clad Assy ACP	DIT Placage Assy ACP	907800	
22	DIT Clad Speaker Assy	DIT Placage Speaker Assy	907806	
	DIT Clad Speaker Assy ACP	DIT Placage Speaker Assy ACP	907801	
	DIT Clad Push Button Assy	DIT Placage Bouton Poussoir Assy	907805	
	DIT Clad Push Button Assy ACP	DIT Placage Bouton Poussoir Assy ACP	907802	
	DIT Clad Speaker/Push Button Assy	DIT Placage Haut Parler/BP Assy	907804	

(Cont.)



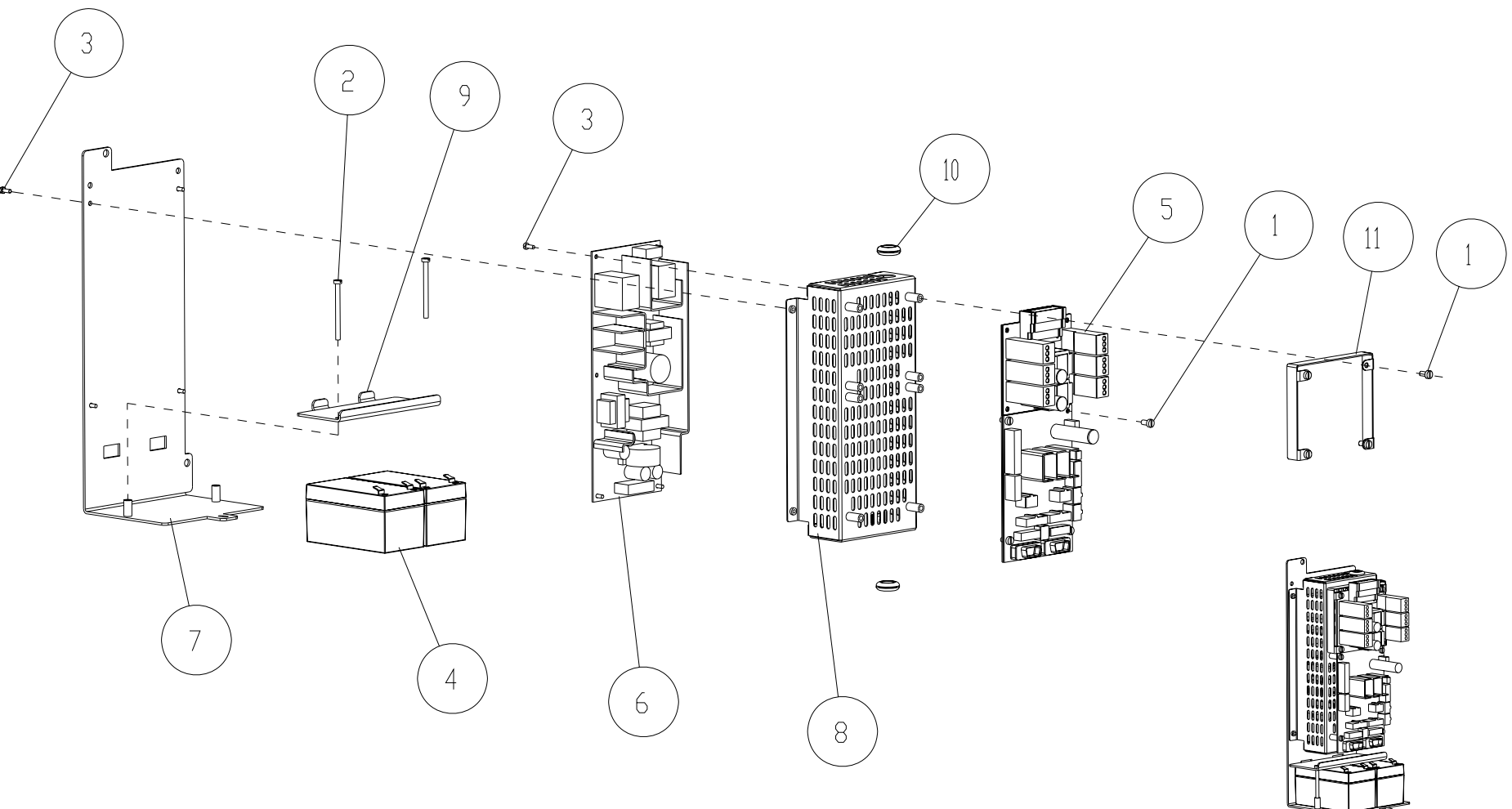
5.8 Dispenser Integrated Terminal Assembly [DIT] (Cont.)

22 Cont.	DIT Clad Speaker/Push Button Assy ACP	DIT Placage Haut Parler/BP Assy ACP	907803	
	DIT Clad Deadman/Stop Button Assy	DIT Placage Deadman/Arret Assy	908846	
	DIT Clad Deadman/Stop Button Assy ACP	DIT Placage Deadman/Arret Assy ACP	908847	
	DIT Clad Push/Stop Button Assy	DIT Placage Arret/Boutton Poussoir Assy	909134	
	DIT Clad Push/Stop Button Assy ACP	DIT Placage Arret/BP Assy ACP	909135	
23	Button Black	Bouton Noir	908603-001	
24	Switch Body ZB5	Corps Contact ZB5	908604	
25	Box Vapour Barrier Complete	Barriere de Vapeur Complete	909541	



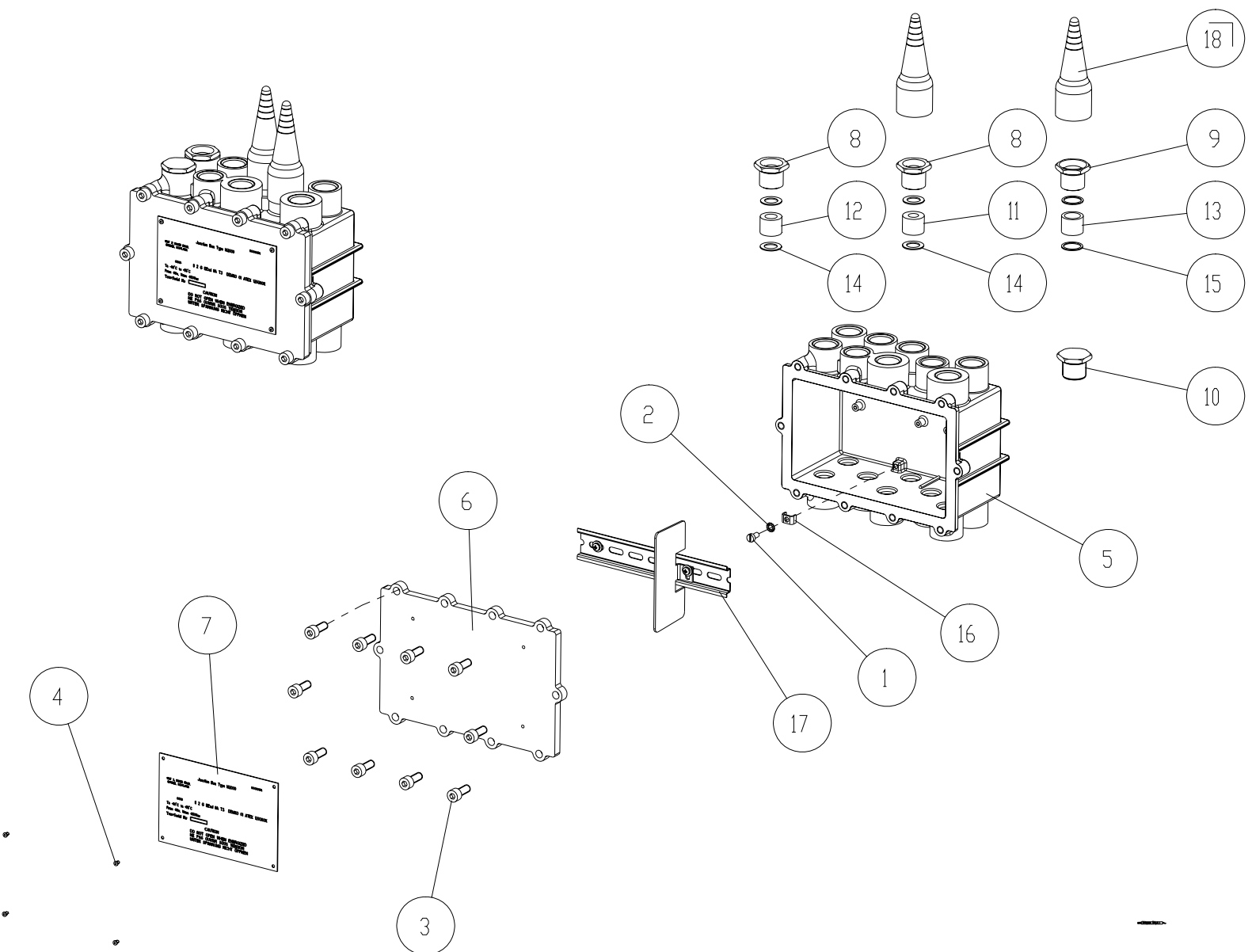
5.9 DIT Door Assemblies

Item No	Description	Désignation Français	Part No	Comments
1	Nut Hex Self Lock M4	Ecrou Bride Autobloquant M4	900013-001	
2	Screw CRRCH M4x10	Vis CBLZ M4x10	900052-003	
3	DIT Blind Door Seal	DIT Joint Porte Aveugle	900676	
4	DIT Blind Door	DIT Porte Aveugle	900813	Additional Corrosion Protection
	DIT Blind Door ACP	DIT Porte Aveugle ACP	907064	
5	Assembly Lock DIT Blind Door	Ass Serrure Porte DIT Aveugle	-	Refer to Lock Assembly
6	Drive Fastener D5/13.5 T3 NA	Att à pression D5/13.5 E3 NA	901058-001	
7	Membrane Keyboard 4X4	Clavier Prede 4X4	902470	
8	DIT Door Keypad	DIT Porte Bloc de Touche	903101	Additional Corrosion Protection
	DIT Door Keypad ACP	DIT Porte Bloc de Touche ACP	907066	
9	Bezel Preset Keypad	Clavier Prédé Couvercle	942247	
10	DIT Door Bezel Keypad	Porte DIT Clavier Protégé	944137	Additional Corrosion Protection
	DIT Door Bezel Keypad	Porte DIT Clavier Protégé	944140	



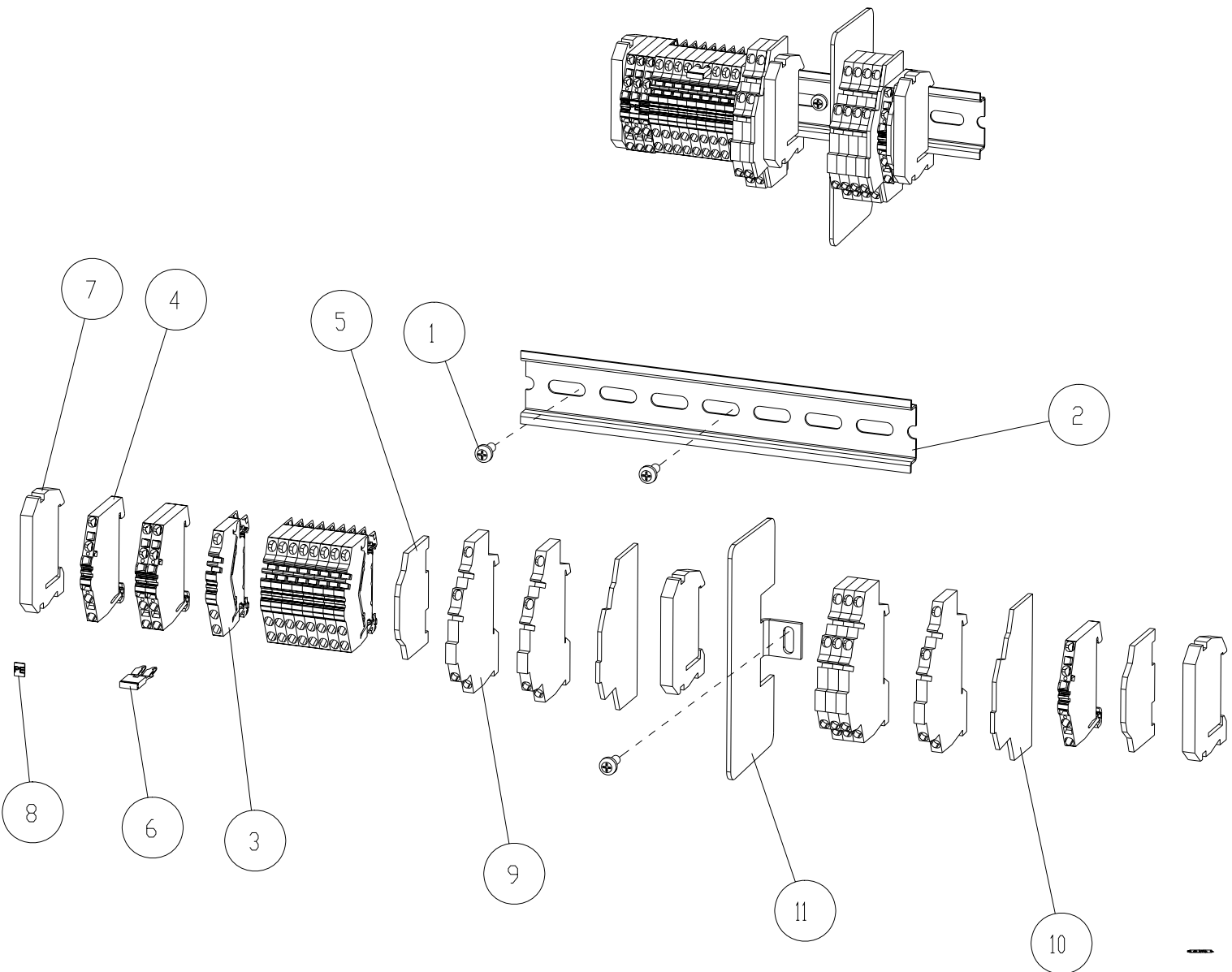
5.10 Power Supply Unit for DIT Assembly

Item No	Description	Désignation Français	Part No	Comments
1	Screw SCH M4x8	Vis CS M4x8	900007-003	
2	Screw SCH M4x50	Vis CS M4x50	900007-007	
3	Screw SCH M3x8	Vis CS M3x8	900007-008	
4	Battery 12V 1.2 Ah (box type)	Batterie 12V 1.2 Ah	900072	
5	PCB/OPT012/PIB/PWR INT BRD	PCB/OPT012/PIB/CARTE ALIM/COMM	901310	
6	PCB/OPT/MPSU/COSEL LEB150F	PCB/OPT/MPSU/COSEL LEB150F	901454	
7	DIT PSU Bracket	DIT PSU Encadrer	902076	
8	Cosel OPT PSU Cover	Cosel OPT PSU Couvrir	902078	
9	DIT PSU Battery Bracket	DIT PSU Batterie Encadrer	902079	
10	Cable Protector Gen	Câble Protecteur Gen	902080	
11	DIT PSU PCB Guard	DIT PDU PCB Protecteur	902601	



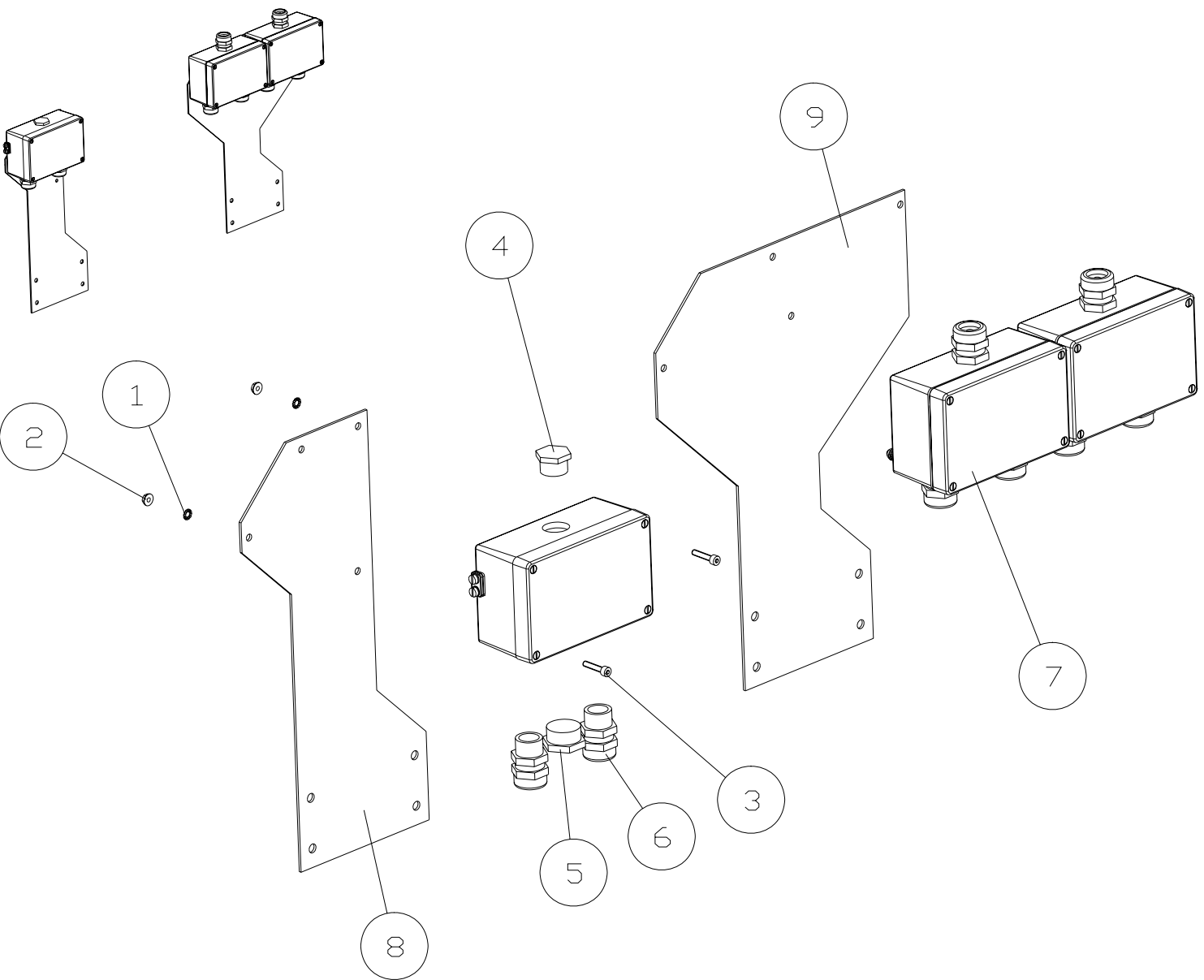
5.11 Main Junction Box Assembly

Item No	Description	Désignation Français	Part No	Comments
1	Screw SCH M5x10	Vis CS M5x10	900007-004	
2	Washer Serr Lock Ext M5	Rondelle a Dents DEC M5	900009-005	
3	Screw HSHC M8x20	Vis CHC M8x20	900017-002	
4	Rivet Rokut	Rivet Expansion	900022-002	
5	Junction Box-M2000-Series	Boitier de Connection-M2000	900104	
6	Cover Junction Box M2000	Couvercle Boitier Connection	900105	
7	Typelate Junction Box M2000T	Plaque no Serie Boitier	901689-148	
8	Gland Exd M25 14mm	Ecrou P.E. M25 14mm	900108	
9	Gland Exd M25 19mm	Ecrou P.E. M25 19mm	900109	
10	Blindstop Exd M25	Bouchon M25	900110	
11	Grommet 8-11	Bouchon 8-11	900111	
12	Grommet 10-13	Bouchon 10-13	900112	
13	Grommet 14-17	Bouchon 14-17	900113	
14	Back-up Ring 8-13	Rondelle Acier	900114	
15	Back-up Ring 14-17	Rondelle Acier	900115	
16	Grounding Clamp	Borne de Mise La Terre	900118	
17	Rail TS 35 l=190	Rail de bornier TS 35 l=190	901432-012	
18	Cable Shroud	Cable Suaire	904534	



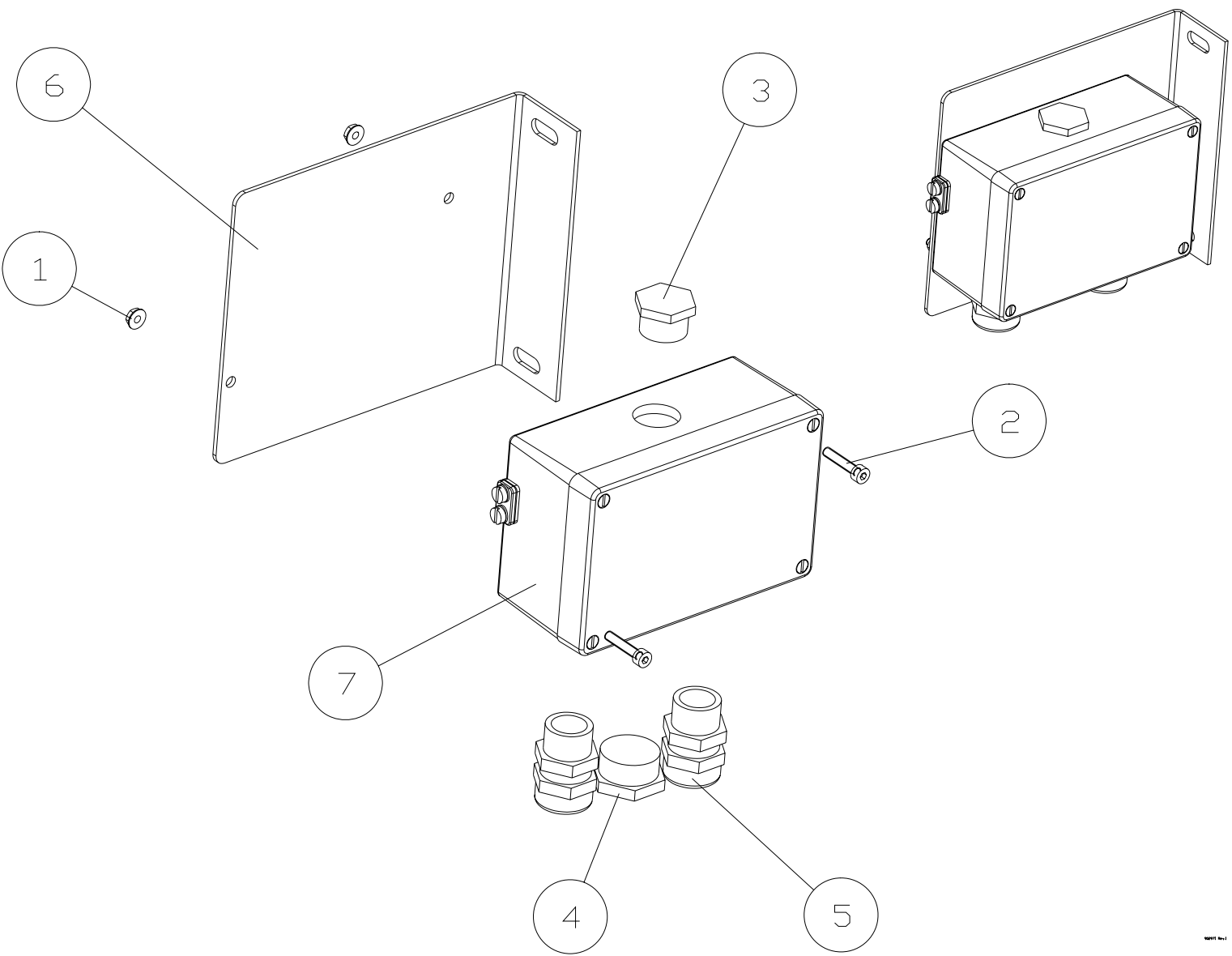
5.11.1 MAIN JUNCTION BOX INTERNAL COMPONENTS

Item No	Description	Désignation Français	Part No	Comments
1	Screw CRRCHTF M4x10	Autotara Cyl Bomb Emp Cru M4x10	900078-004	
2	Rail TS 35 L=190	Rail de bornier TS 35 L=190	901432-012	
3	Clamp 3 x 0,13 - 2,50 mm Beige	Borne 3 x 0.13 - 2.50mm Beige	909416-001	
4	Clamp 4 x 0,13 - 2,50 mm GN/YE	Borne 4x0.13-2.50mm Vert/Jaune	909416-002	
5	End Plate Orange	Plaque Separation Orange	909416-003	
6	Jumper 2 Pole	Jonction 2 Voies	909416-004	
	Jumper 3 Pole	Jonction 3 Voies	909416-005	
7	End Bracket Beige	Extremite Stop Beige	909416-006	
8	Code Letter "L1"	Code Letter "L1"	909416-007	
	Code Letter "L2"	Code Letter "L2"	909416-008	
	Code Letter "L3"	Code Letter "L3"	909416-009	
	Code Letter "N"	Code Letter "N"	909416-010	
	Code Letter "PE"	Code Letter "PE"	909416-011	
	Blank Code Letter	Blank Code Letter	909416-012	
	Code Letter "1-10"	Code Letter "1-10"	909416-017	
	Code Letter "11-20"	Code Letter "11-20"	909416-018	
	Code Letter "L4"	Code Letter "L4"	908994-001	
	Code Letter "L5"	Code Letter "L5"	908994-002	
	Code Letter "L6"	Code Letter "L6"	908994-003	
	Code Letter "N6"	Code Letter "N6"	908994-004	
9	Clamp 2x2x 0.13-2.50mm Beige	Borne 2x2x 0.13-2.50mm Beige	909416-013	
10	End Plate Orange for Clamp -013	Plaque Separa Orange pour -013	909416-014	
11	Divider Plate Junction Box	Plaque de Séparation Jonction Box	940340	



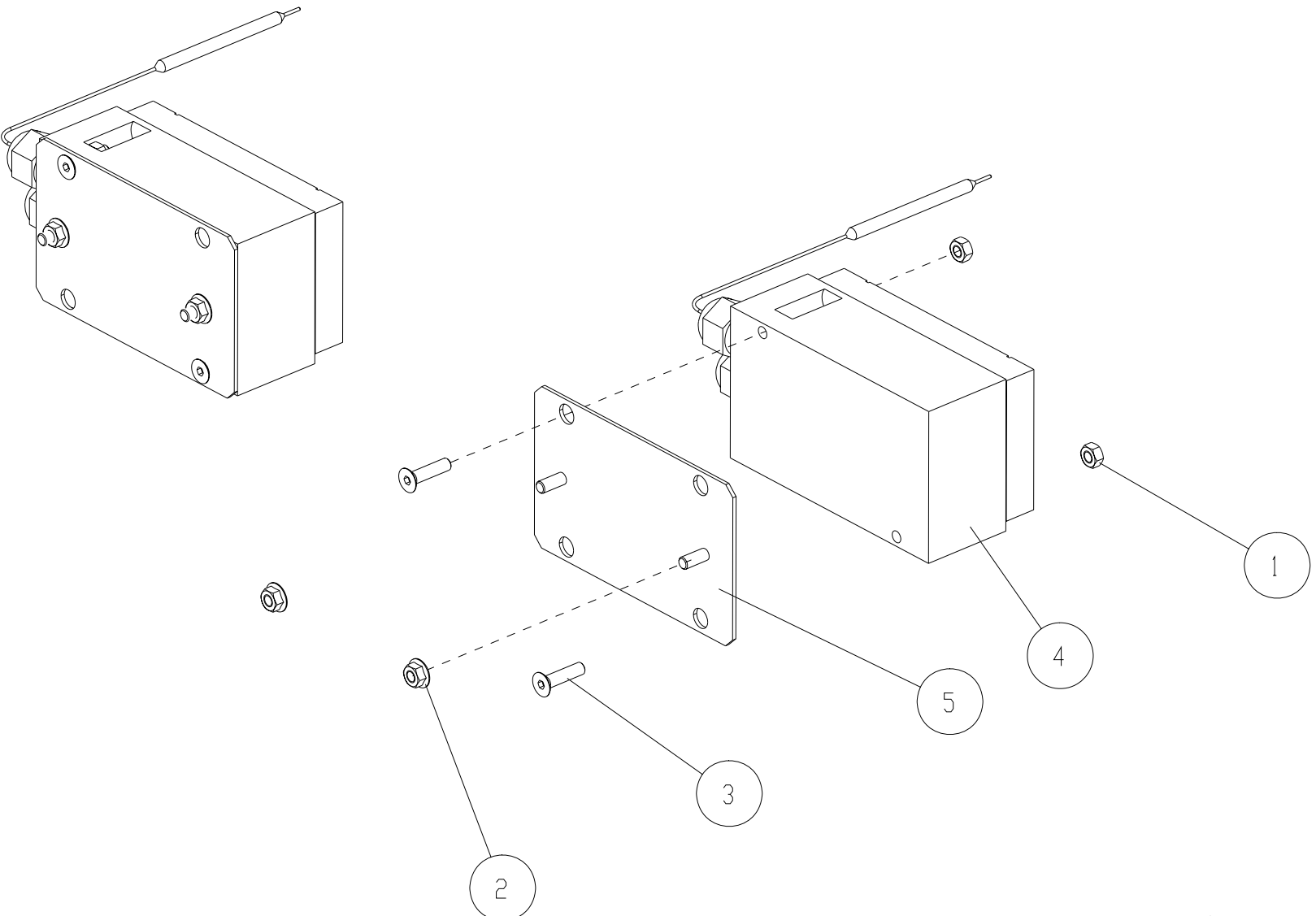
5.12 Speaker Junction Box Assembly

Item No	Description	Désignation Français	Part No	Comments
1	Washer Serr Lock Ext M4	Rondelle a Dents DEC M4	900009-001	
2	Nut Hex Self Lock M4	Ecrou Bride Autobloquant M4	900013-001	
3	Screw HSHC M4x20	Vis CHC M4x20	900017-011	
4	Plug M20 x 1.5 EExE/IP66	Bouchon PG M20 x 1.5 EExE/IP66	900044-001	
5	Plug M25 x 1.5 EExE/IP66	Bouchon PG M25 x 1.5 EExE/IP66	900044-002	
6	Gland M20x1.5 EExe II/IP66-68 1x 5-9mm	PE M20x1.5 Eexe II/IP66-68 1x 5-9mm	901478-001	
7	Junction box Bernstein CA150	Boitier de connection Bernstein CA150	901753	
8	Bracket Bernstein box	Support boîte de Bernstein	902433	
9	Bracket dual Bernstein box	Support dual Bernstein box	903981	



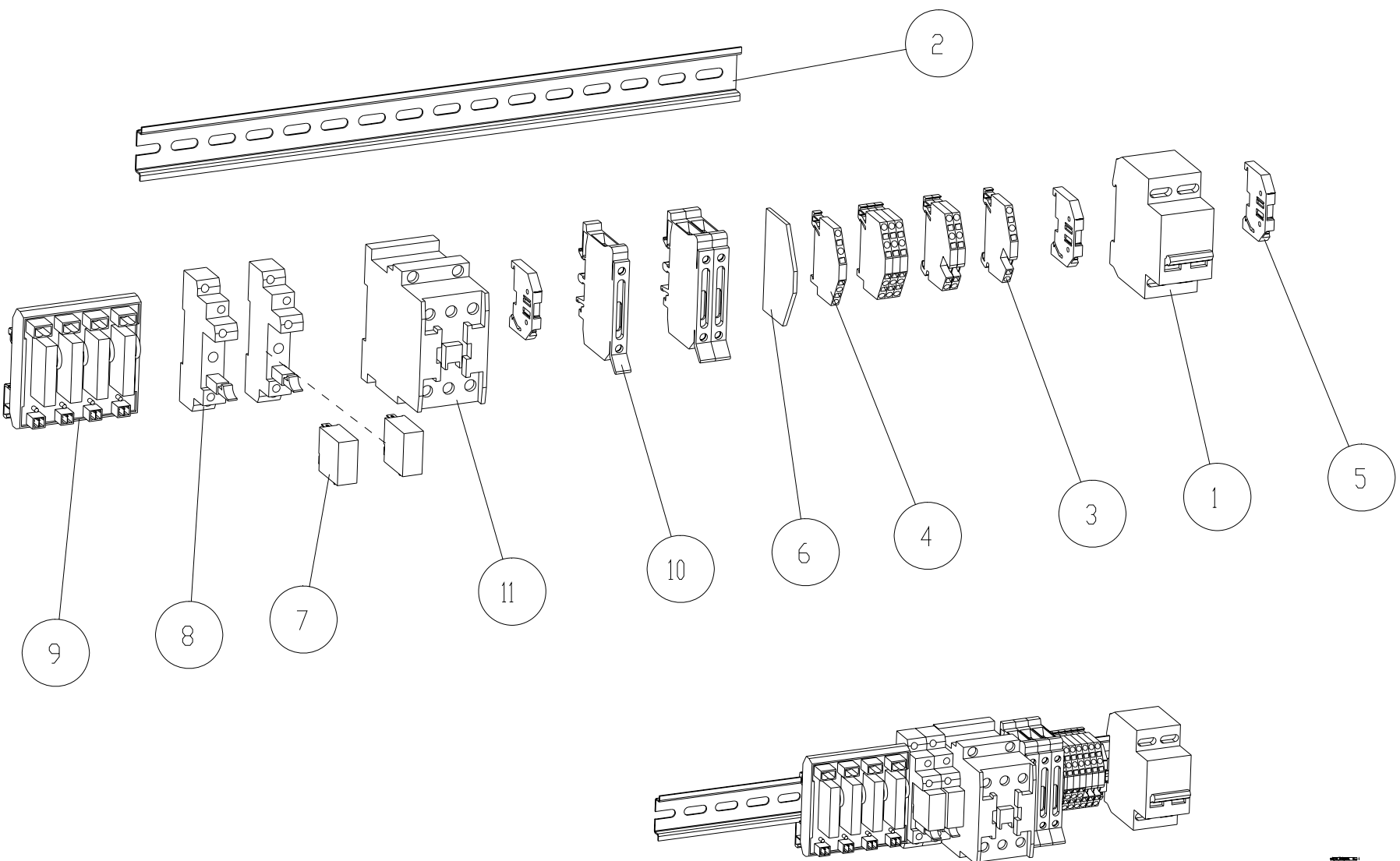
5.13 Speaker/MiniSat Junction Box Assembly

Item No	Description	Désignation Français	Part No	Comments
1	Nut Hex Self Lock M4	Ecrou Bride Autobloquant M4	900013-001	
2	Screw HSHC M4x20	Vis CHC M4x20	900017-011	
3	Plug M20 x 1.5 EExE/IP66	Bouchon PG M20 x 1.5 EExE/IP66	900044-001	
4	Plug M25 x 1.5 EExE/IP66	Bouchon PG M25 x 1.5 EExE/IP66	900044-002	
5	Gland M20x1.5 EExe II/IP66-68 1x 5-9mm	PE M20x1.5 Eexe II/IP66-68 1x 5-9mm	901478-001	
6	Bracket junction box	Support boîte de jonction	902607	
7	Junction box Bernstein CA150	Boitier de connection Bernstein CA150	901753	



5.14 Fire Detection Assembly

Item No	Description	Désignation Français	Part No	Comments
1	Nut Hex M6	Ecrou H M6	900011-001	
2	Nut Hex Self Lock M6	Ecrou Bride Autobloquant M6	900013-003	
3	Screw HSC M6x25	Vis FHC M6x25	900643-007	
4	Fire Detector - Stahl	Detection de Feu	903291	
5	Fire Detection Bracket Assy	Support Detection Incendie Asm	941902	



5.15 Wincor Mains Rail Assembly

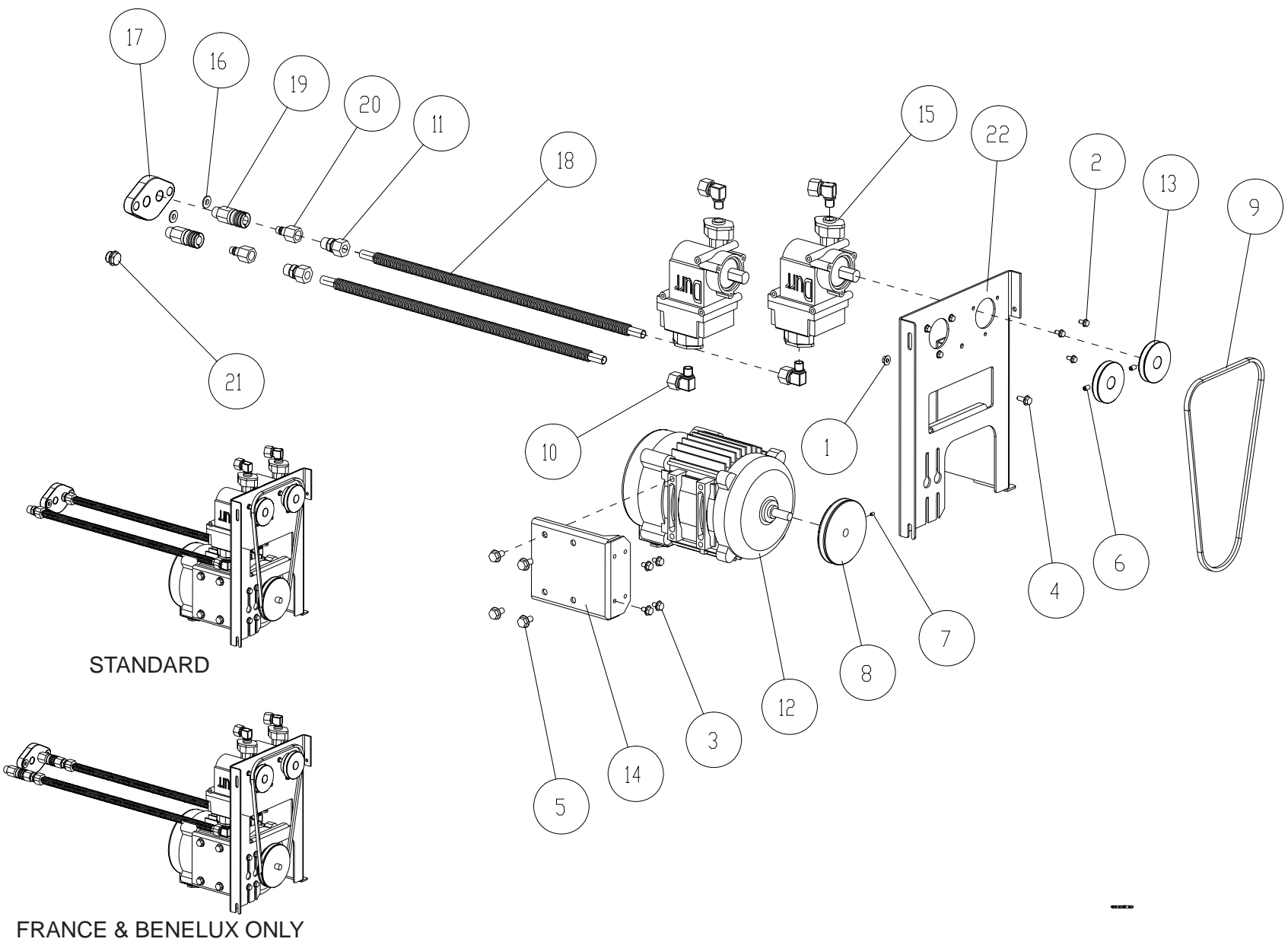
Item No	Description	Désignation Français	Part No	Comments
1	Main Switch	Commutation Principal	900074	
2	Rail TS 35 I=400	Rail de Bornier TS 35 I=400	901432-007	
3	Clamps 3 Ways 2.5QMM Green/Yellow	Borne 3 Voies 2.5QMM Vert/Jaune	901710-001	
4	Clamps 4 Ways 2.5QMM Grey	Borne 4 Voies 2.5 QMM Gris	901711-001	
5	Endstop Grey 35mm 249-116	Butée Arrêt Grise 35mm 249-116	901712-001	
6	Separation Plate OG, 280-318	Plaque Séparation OG, 280-318	901854-001	
7	Relay 10A Single Pole Contact	Relais Contact Simple Pole 10A	902236-001	
8	Relay Socket TS35 Rail 10A 25	Cavité Relais TS35 Rail 10A 25	902237-001	
9	Solid State Relay Board Complete	Carte Relais Statique Complete	903290	
10	Fuse Holder for 6.3x32 Fuse	Porte Fusible Section 6.3x32	903482	
11	Contacteur DIL 0M 230V 50Hz	Contacteur DIL 0M 230V 50Hz	905174-001	

This page is intentionally blank

CONTENTS

6 VAPOUR RECOVERY 6-2

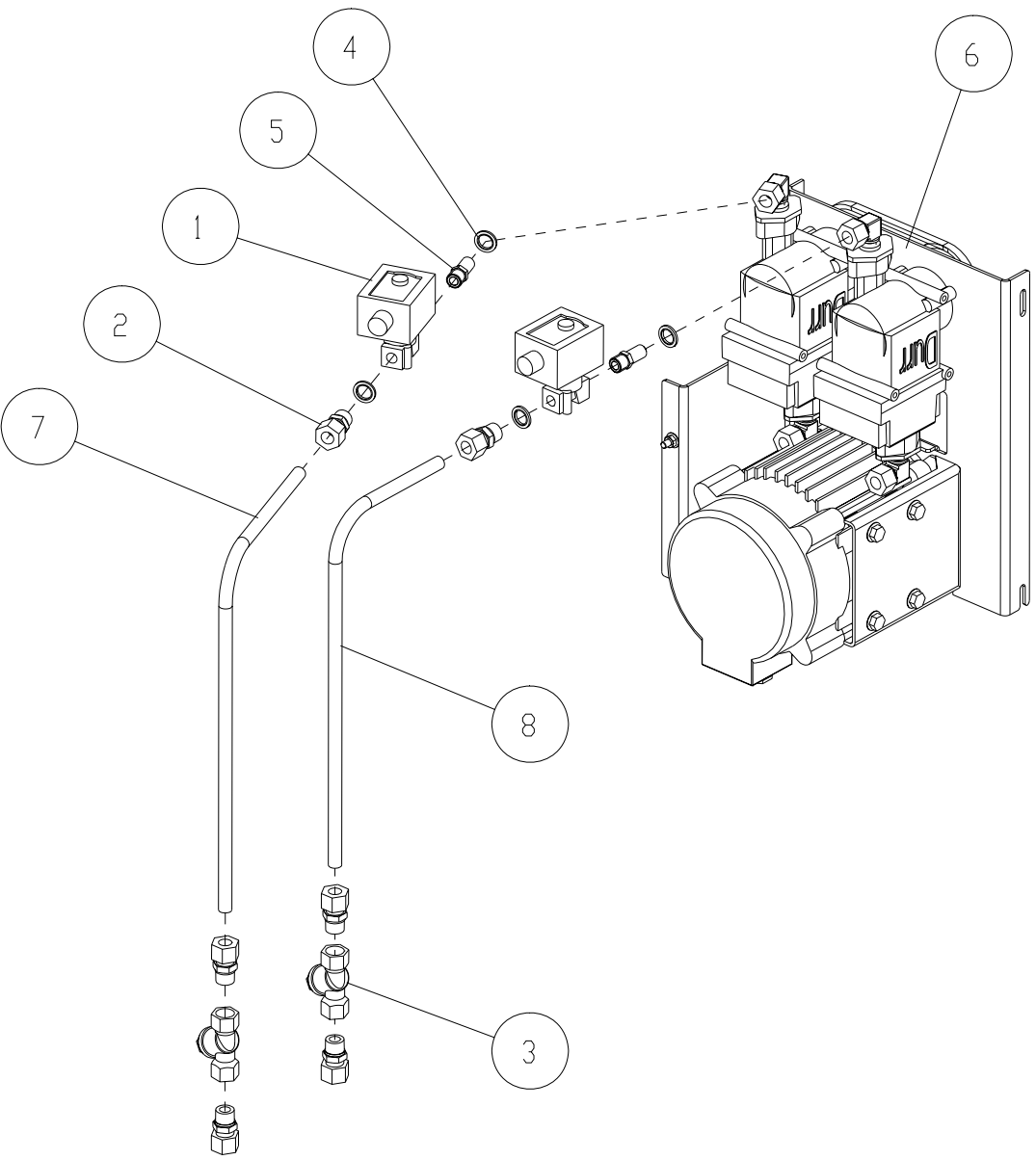
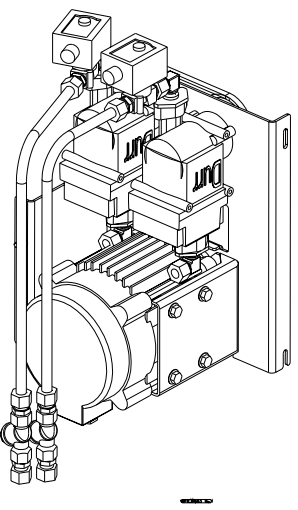
- 6.1 VR Pump Assembly 6-2
- 6.2 ECVR Standard Assembly 6-4
- 6.3 ECVR SCS Assembly 6-6
- 6.4 ECVR Open Loop with VR Gauge Assembly (Italy Only) 6-8
- 6.5 VR Suction Line 6-10
- 6.6 VR per Product Option 6-12
- 6.7 VR Return Line - Ethanol Only 6-14
- 6.8 VR Return Line with Shear Valve - UK Only 6-16
- 6.9 VR Risbridger Shear Valve Option 6-18



6 VAPOUR RECOVERY

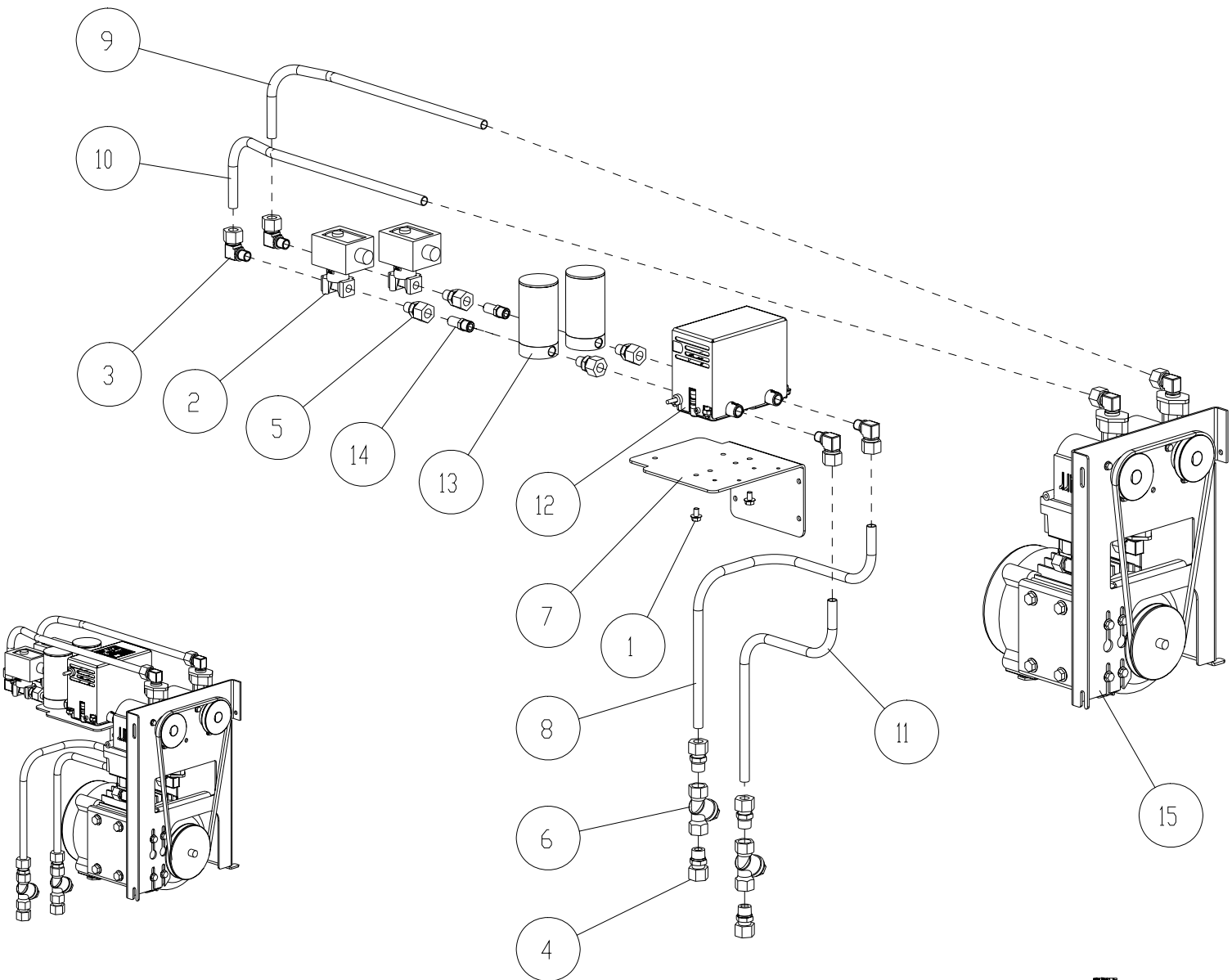
6.1 VR Pump Assembly

Item No	Description	Désignation Français	Part No	Comments
1	Nut Hex Self Lock M6	Ecrou Bride Autobloquant M6	900013-003	
2	Screw HFHSL M5x10	Vis Hex Br Autobl M5x10	900016-001	
3	Screw HFHSL M6x10	Vis Hex Br Autobl M6x10	900016-003	
4	Screw HFHSL M6x16	Vis Hex Br Autobl M6x16	900016-004	
5	Screw HFHSL M8x16	Vis Hex Br Autobl M8x16	900016-006	
6	Screw HSS Cup Point M6x10	Vis HCCU M6x10	900019-001	
7	Screw HSS Cup Point M4x6	Vis HCCU M4x6	900019-002	
8	Pulley VR Motor dia 98 Pulley VR Motor 60Hz dia 82	Poulie RV Moteur Dp=98 Poulie RV Moteur 60Hz Dp=82	900027 906428	Single Phase, 60Hz
9	V-Belt - 8 x 5 x 820 Lp V-Belt 8 x 5 x 710	Courroie - 8 x 5 x 820 Lp Courroie - 8 x 5 x 710	900028-001 900028-002	Double-sided Single-sided
10	Elbow Compr 1/4" BSPM 12mm	EQ-PIQ-M12-1/4	900031-001	
11	Straight Compr 3/8" BSP 12mm	Rac Piq Male 12 - 3/8	900032-001	
12	Motor EXD 0,25kW Star 400V 3cl Motor EXD 0.37kW 50Hz Motor EXD 0.37kW 60Hz Motor EXD 0,25kW Delta 400V 3cl Elnor 0.37kW Motor 50Hz	Mot. EXD 0,25kW Star 400V 3cl Motor EXD 0.37kW 50Hz Motor EXD 0.37kW 60Hz Moteur EXD 0,25kW Delta 400V 3cl Elnor Moteur de 0.37kW 50Hz	900060-001 900060-008 900060-009 900068-001 903168	3 Phase Motor Single Phase Motor Single Phase Motor 3 Phase Motor Single Phase Motor
13	Pulley VR Pump Dm 61mm	Poulie Pompe GR Dm 61mm	900293	
14	Motor Bracket Q500T	Motor Support Q500T	900294	
15	Durr Pump MEX 0831-11/600	Pompe Durr MEX 0831-11/600	900295	
16	Insulation Sleeve 8.2 mm	Manchon Isolant 8.2 mm	900758-003	
17	Flange - VR return	Bride Retour RV	901596	
18	Flexible Outlet VR Pump Assy	Flexible Sortie Pompe RV Assy	901597	
19	Connector - Quick Release Female	Raccord Rapide Femelle	901954	France & Benelux only
20	Connector - Quick Release Male	Raccord Rapide Male	901955	France & Benelux only
21	Plug Hyd G 3/8"	Rac Bouch G 3/8"	902001-001	Single-sided only
22	Frame Support ECVR	Chassis Support ECVR	904617	



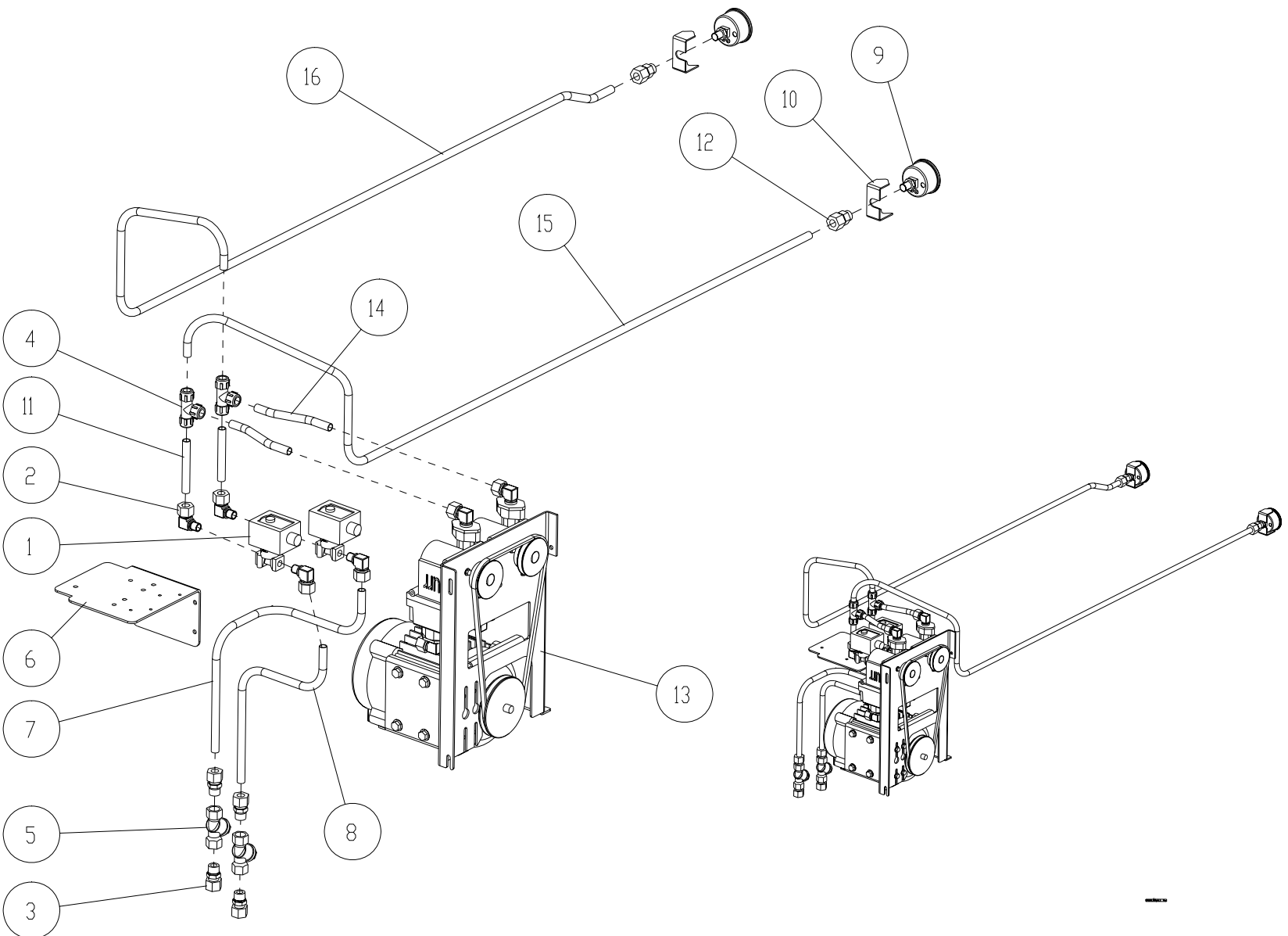
6.2 ECVR Standard Assembly

Item No	Description	Désignation Français	Part No	Comments
1	Proport Valve ECVR	Soupape Proport ECVR	900029-001	
2	Straight Compr 3/8" BSP 12mm	Rac Piq Male 12 - 3/8	900032-001	
3	VR Filter	VR Filtre	900037	
4	Dowty Seal Self Centre 1/4" BSP	Dowty joint torique 1/4" BSP	900450-001	
5	Adaptor Dia12 Male - 1/4" Male	Adapt Dia12 Male - 1/4" Male	901754-001	
6	VR Pump Assembly	RV Pompe Asm	-	Refer to VR Pump Assembly
7	VR Pipe Filter to Valve B	VR Pipe a la Valve B	????	
8	VR Pipe Filter to Valve B	VR Pipe a la Valve B	????	



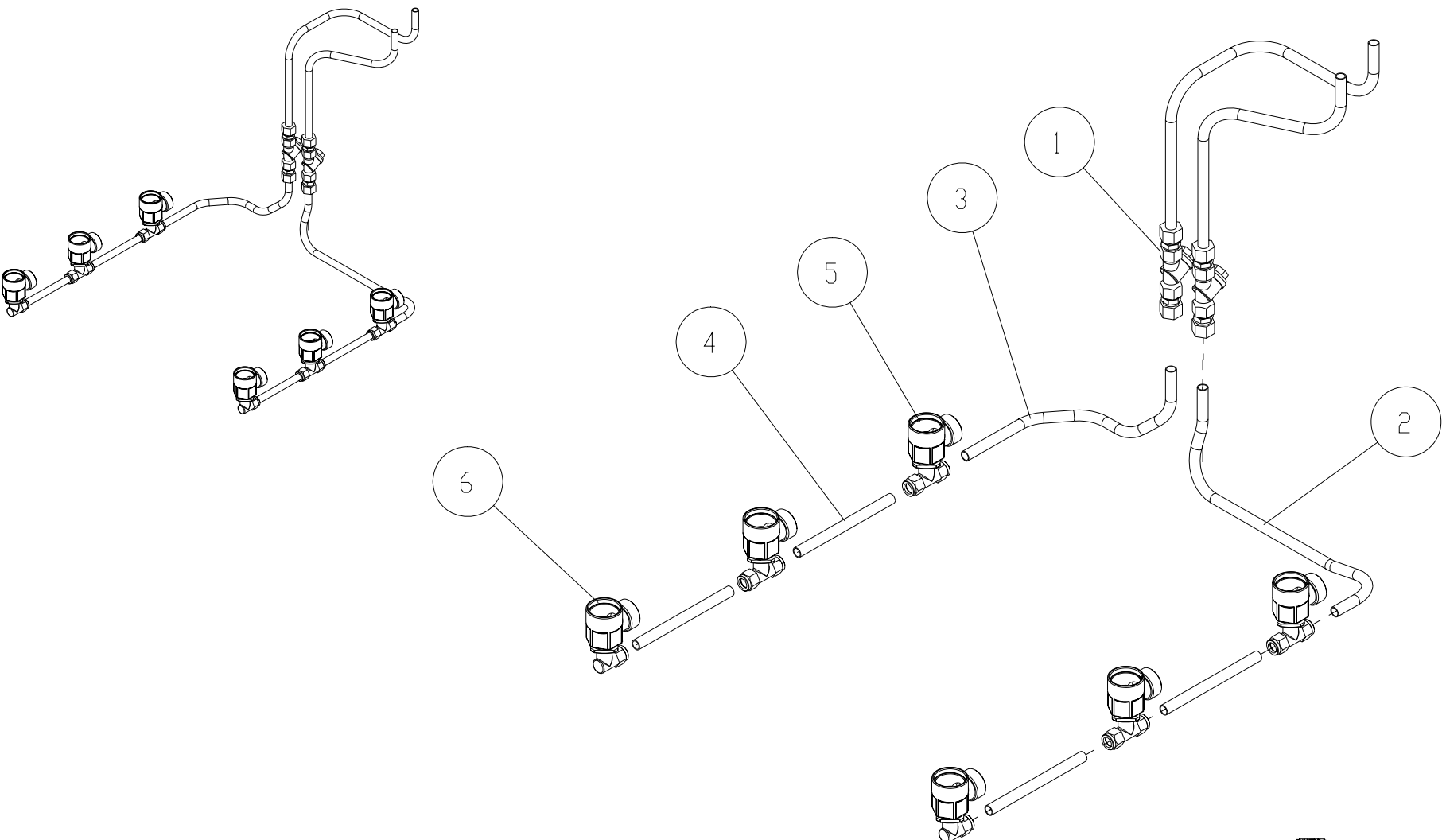
6.3 ECVR SCS Assembly

Item No	Description	Désignation Français	Part No	Comments
1	Screw HFHSL M6x10	Vis Hex Br Autobl M6x10	900016-003	
2	Proport Valve ECVR	Soupape Proport ECVR	900029-001	
3	Elbow Compr 1/4" BSPM 12mm	EQ-PIQ-M12-1/4	900031-001	
4	Straight Compr 3/8" BSP 12mm	Rac Piq Male 12 - 3/8	900032-001	
5	Straight Compr 1/4" BSP 12mm	Rac Piq Male 12 - 1/4	900032-002	
6	VR Filter	VR Filtre	900037	
7	Support Bracket VFM	Support Bracket VFM	900436	
8	VR_Pipe_Filter_VFM_A	VR_Tube_Filter_VFM_A	900442	
9	Pipe_VR_Valve_ECVR_A	Tube_VR_Soupape_ECVR_A	900447	
10	Pipe_VR_Valve_ECVR_B	Tube_VR_Soupape_ECVR_B	900448	
11	VR_Pipe_Filter_VFM_B	VR_Tube_Filter_VFM_B	900449	
12	VFM 2 Assy	VFM - 2 Assemblé	900452	
13	Damping Vessel	Recipient	901053	
14	Adaptor Dia12 Male - 1/4" Male	Adapt Dia12 Male - 1/4" Male	901754-001	
15	VR Pump Assembly	RV Pompe Asm	-	Refer to VR Pump Assembly



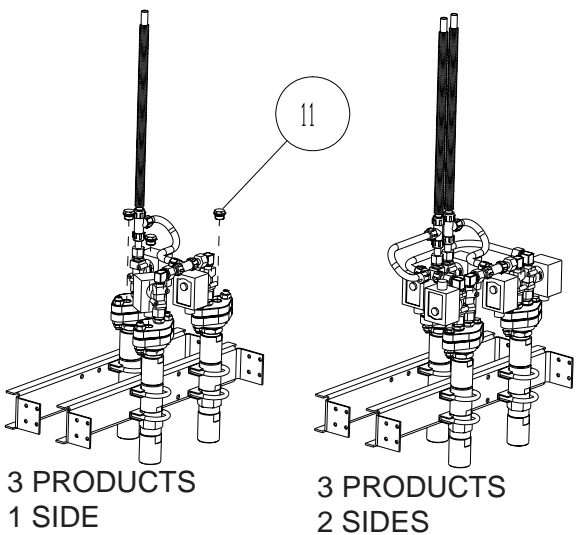
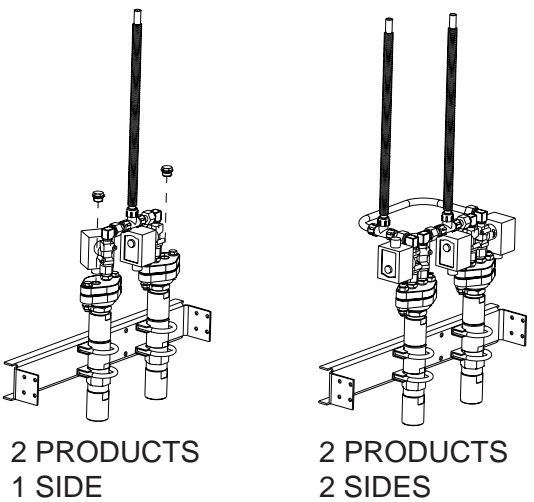
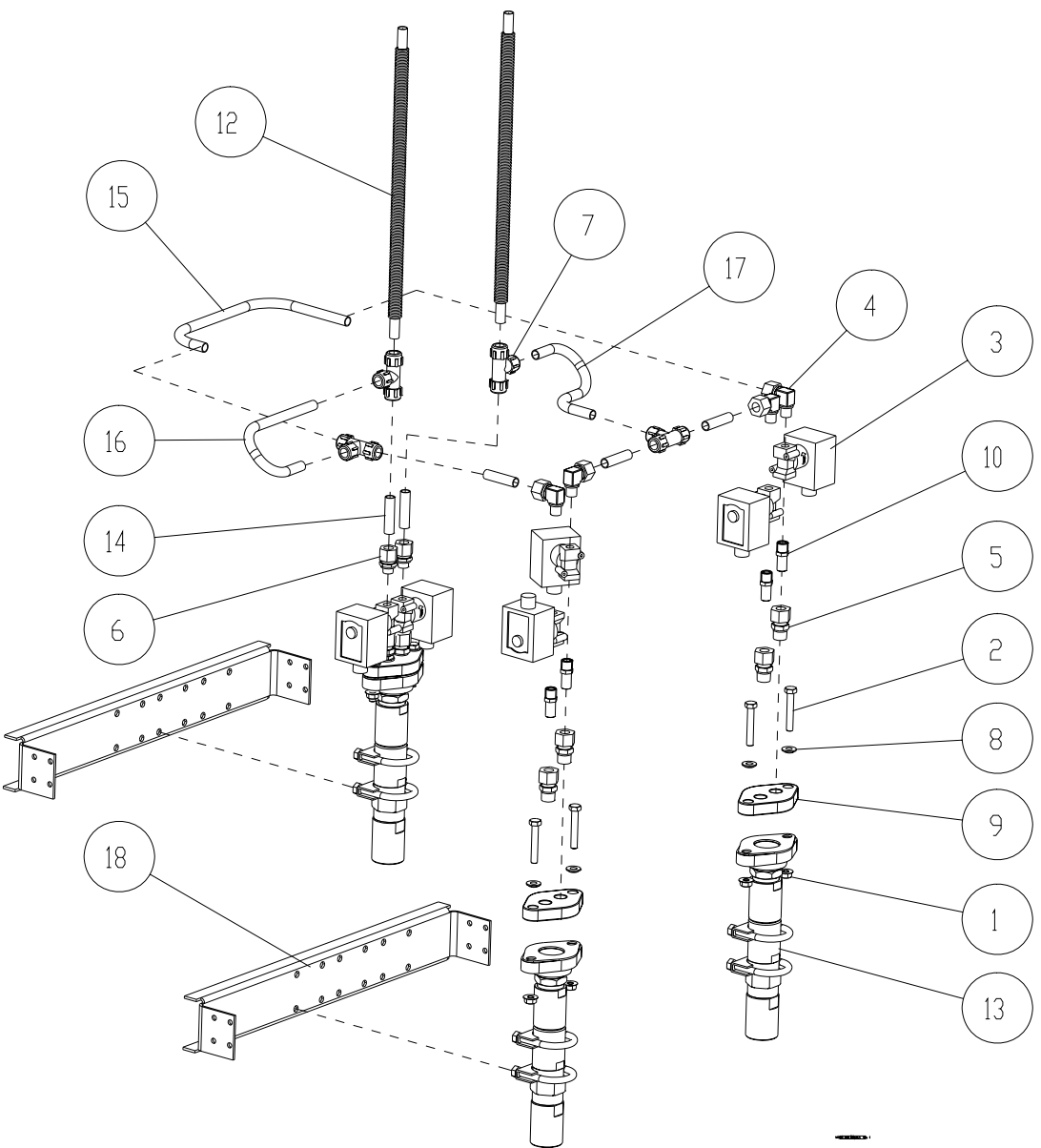
6.4 ECVR Open Loop with VR Gauge Assembly (Italy Only)

Item No	Description	Désignation Français	Part No	Comments
1	Proport Valve ECVR	Soupape Proport ECVR	900029-001	
2	Elbow Compr 1/4" BSPM 12mm	EQ-PIQ-M12_1/4	900031-001	
3	Straight Compr 3/8" BSP 12mm	Rac Piq Male 12 - 3/8	900032-001	
4	T Compr 12x12x12	Rac Te Egal D12	900035-001	
5	VR Filter	VR Filtre	900037	
6	Support Bracket VFM	Support Bracket VFM	900436	
7	VR Pipe Filter VFM A	VR Tube Filtre VFM A	900442	
8	VR Pipe Filter VFM B	VR Tube Filtre VFM B	900449	
9	Vacuum Gauge	Jauge sous Vide	902802	
10	Vacuum Gauge Bracket	Jauge sous Vide Bkt	902802	
11	Pipe 2 - Pressure Gauge Option	Tube 2 Indicateur Option	903025	
12	PZR Gauge Adaptor E02	PZR Indicateur Adapteur E02	903029-001	
13	VR Pump Assembly	RV Pompe Asm	-	Refer to VR Pump Assembly
14	VR Assy - Pressure Gauge GRVP	RV Assy - Indicateur Option GRVP	909059	
15	VR Gauge Pipe Right 2F	Tube RV Mano Droit 2F	942616	
	VR Gauge Pipe Right 3F	Tube RV Mano Droit 3F	942617	
	VR Gauge Pipe Right 4F	Tube RV Mano Droit 4F	942618	
	VR Gauge Pipe Right 5F	Tube RV Mano Droit 5F	942619	
16	VR Gauge Pipe Left 2F	Tube RV Mano Gauche 2F	942621	
	VR Gauge Pipe Left 3F	Tube RV Mano Gauche 3F	942622	
	VR Gauge Pipe Left 4F	Tube RV Mano Gauche 4F	942623	
	VR Gauge Pipe Left 5F	Tube RV Mano Gauche 5F	942624	



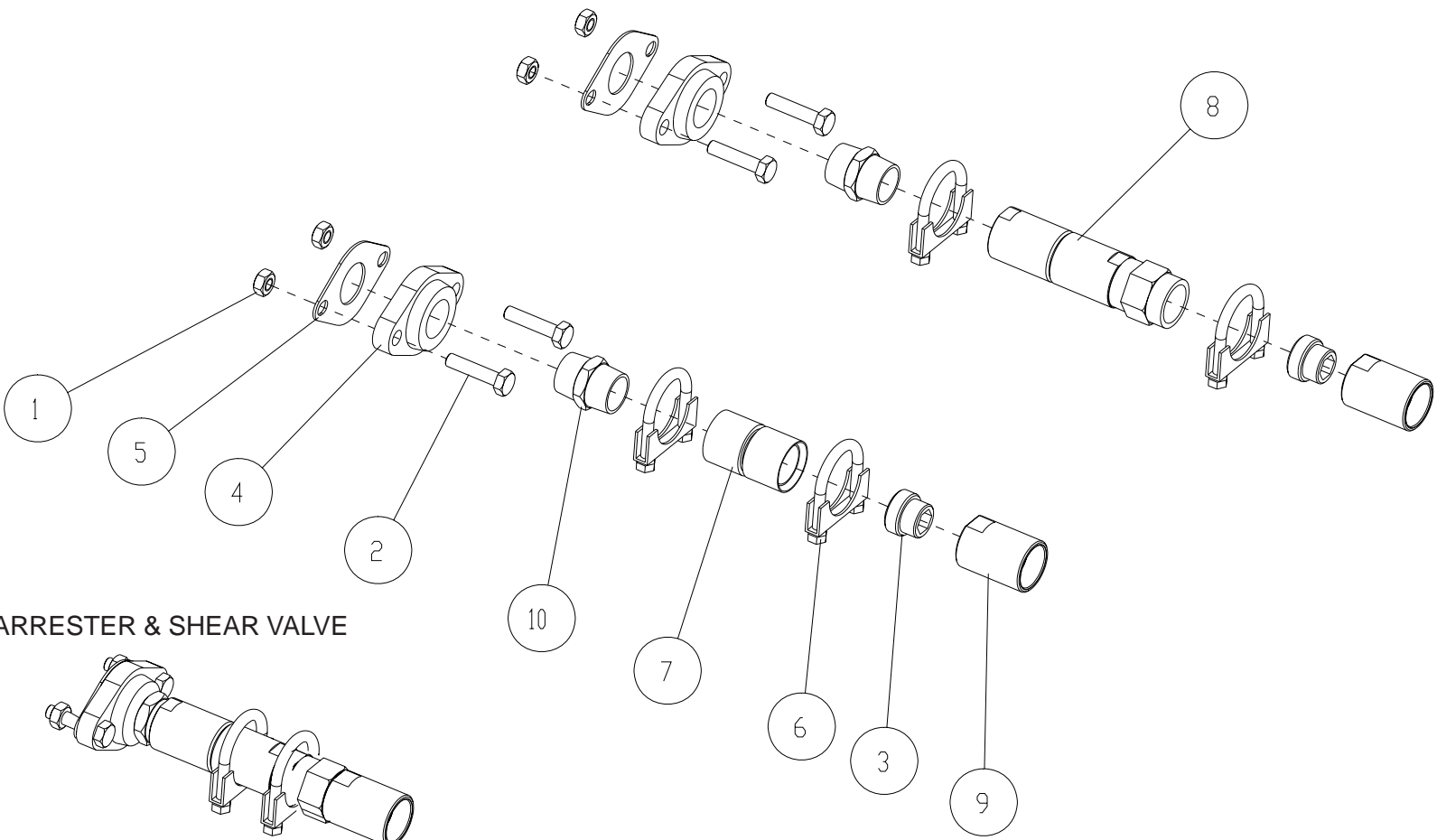
6.5 VR Suction Line

Item No	Description	Désignation Français	Part No	Comments
1	VR Pump Pipes	RV Pompe Tubes	-	Refer to VR Pump Assembly
2	Pipe VR Col Filter A	Tube VR Col Filter A	900443	
3	Pipe VR Col Filter B	Tube VR Col Filter B	900444	
4	VR Pipe Col Col	Tube VR Col Col	900445	
5	VR Adapter G1" (coax) Assy	Adaptateur RV G1" (coax) Asm	909258	
6	VR Adapt Elbow G1" (coax) Assy	Adapt. RV Coudé G1" (coax) Asm	942691	

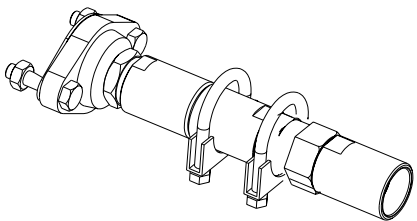


6.6 VR per Product Option

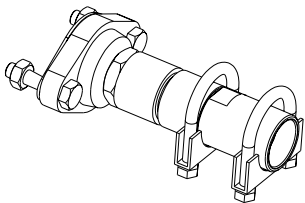
Item No	Description	Désignation Français	Part No	Comments
1	Nut Hex Self Lock M8	Ecrou Bride Autobloquant M8	900013-004	
2	Screw HH M8x50	Vis H M8x50	900015-005	
3	Proport Valve ECVR	Soupape Proport ECVR	900029-001	
4	Elbow Compr 1/4" BSPM 12mm	EQ-PIQ-M12-1/4	900031-001	
5	Straight Compr 3/8" BSP 12mm	Rac Piq Male 12 - 3/8	900032-001	
6	Straight Compr 1/4" BSP 12mm	Rac Piq Male 12 - 1/4	900032-005	
7	T Compr 12x12x12	Rac Te Egal D12	900035-001	
8	Insulation Sleeve 8.2 mm	Manchon Isolant 8.2 mm	900758-003	
9	Flange - VR Return	Bride Retour RV	901596	
10	Adaptor Dia12 Male - 1/4" Male	Adapt Dia12 Male - 1/4" Male	901754-001	
11	Plug Hyd G 3/8"	Rac Bouch G 3/8"	902001-001	Single sided dispensers only
12	Flexible Outlet VR Pump Assy	Flexible Sortie Pomperv Assy	903125	
13	VR Return Line Assy High Blend	VR Return Line Assy High Blend	-	Refer to VR Return Line with Shearvalve
14	Tube 12mm RV pour Produit 1	Pipe 12mm VR per Product 1	945536	
15	Tube 12mm RV pour Produit 2	Pipe 12mm VR per Product 2	945537	
16	Tube 12mm RV pour Produit 3	Pipe 12mm VR per Product 3	945538	
17	Tube 12mm RV pour Produit 4	Pipe 12mm VR per Product 4	945539	
18	Bracket VR Flame Arrester E85	Support RV Flame Arrester E85	945865	



VR FLAME ARRESTER & SHEAR VALVE

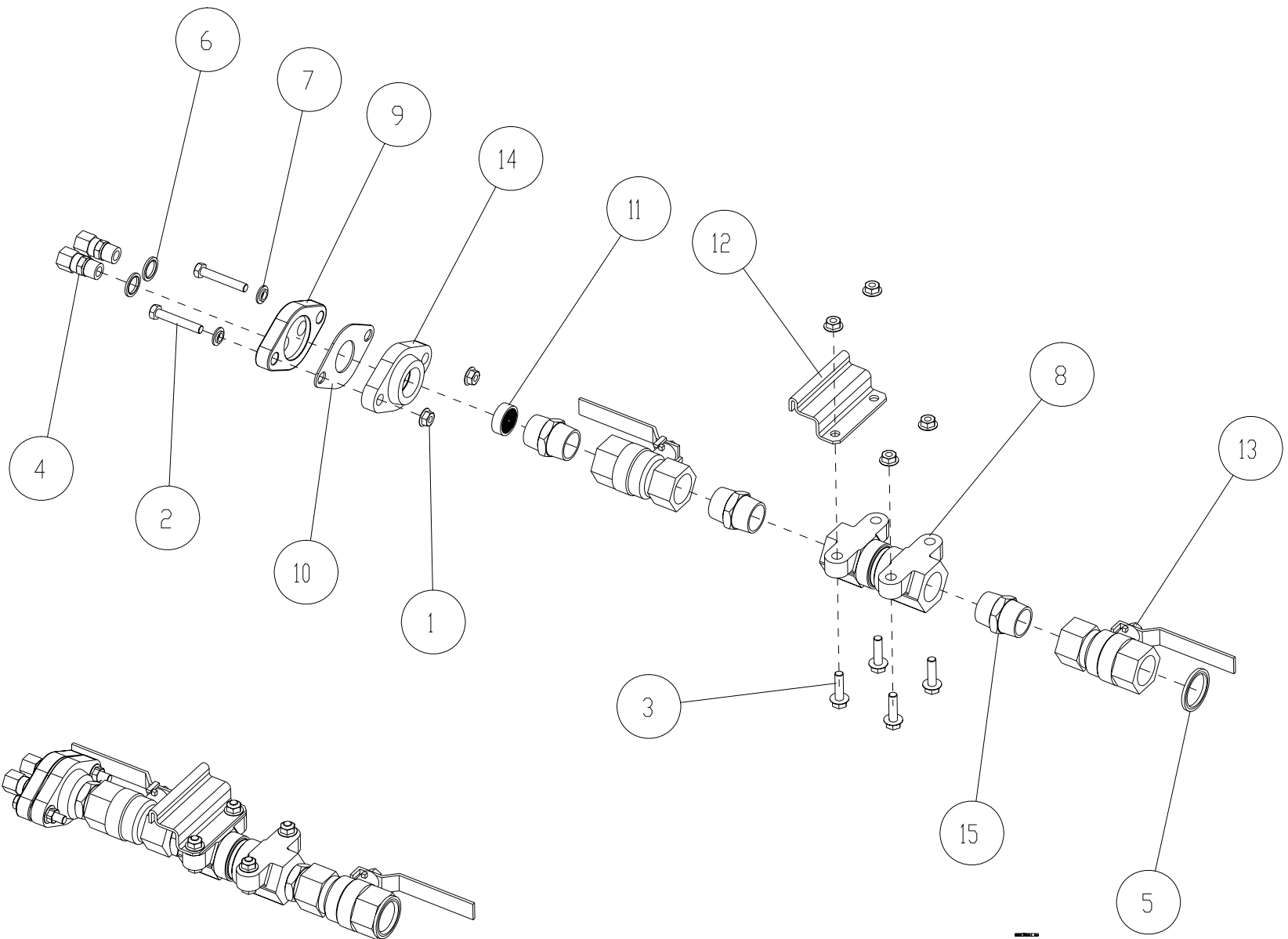


VR FLAME ARRESTER



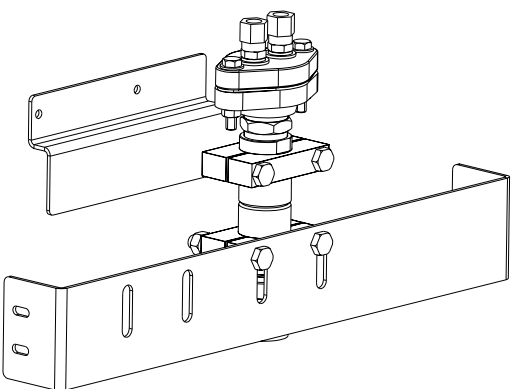
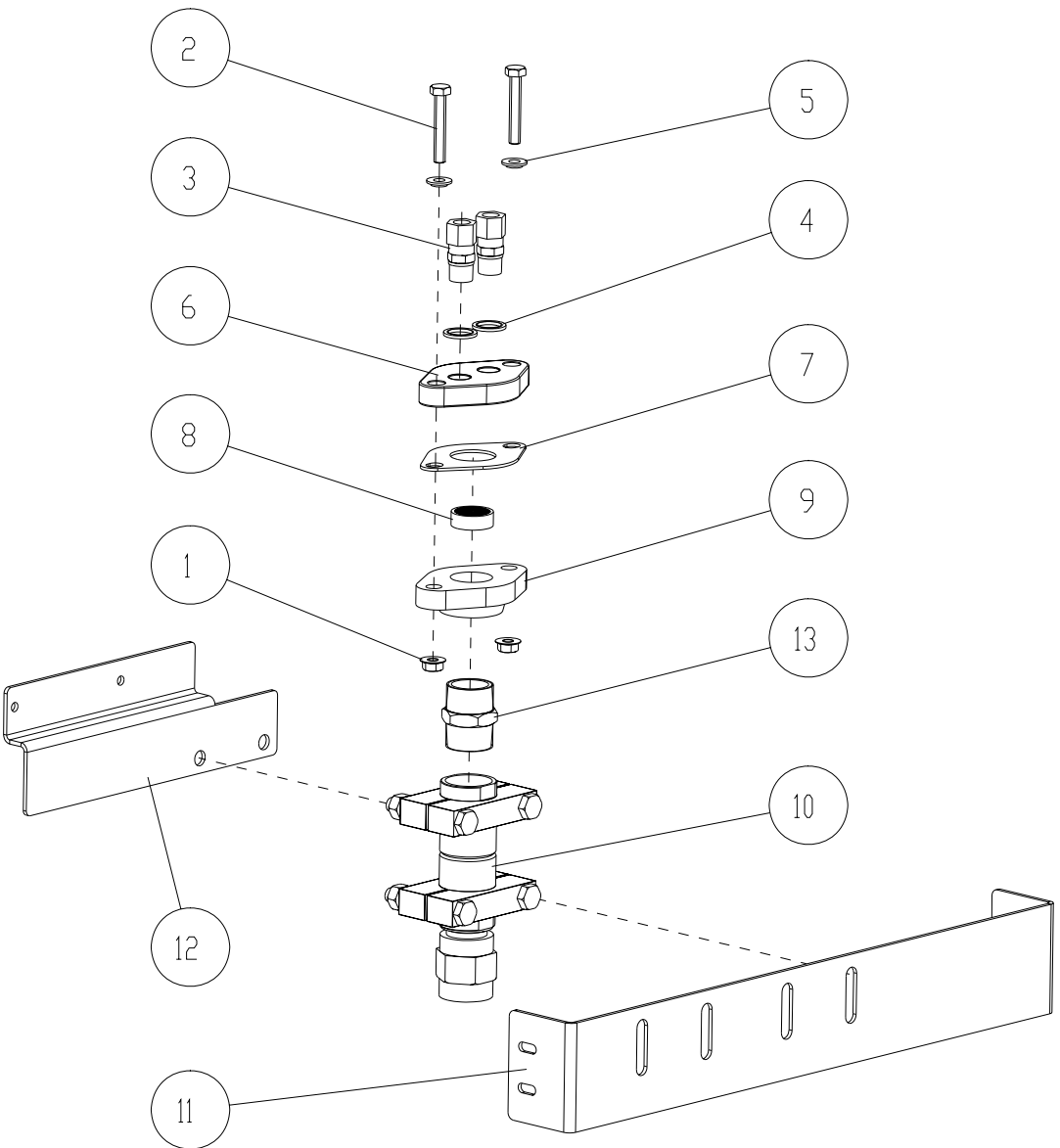
6.7 VR Return Line - Ethanol Only

Item No	Description	Désignation Français	Part No	Comments
1	Nut Hex M10	Ecrou H M10	900011-004	
2	Screw HH M10x45	Vis H M10x45	900015-022	
3	Nipple 22mm G1"-G3/4"	Douille 22mm G1	900416	
4	Flange 1" 78mm	Bride 1" 78mm	901320-001	
5	Gasket - Flange 78-82	Joint de Bride 78-82	901859	
6	Clamp	Bride	903184	
7	Body for Shear valve	Corps de Valve	904587	
8	Shear Valve Risbridger	Raccord Cassant Risbridger	906069	
9	Flame Arrester Assy - Ethanol	Flame Arrester Assy - Ethanol	943050-001	
10	Nipple R1"-R1"	Douille R1"-R1"	944527	



6.8 VR Return Line with Shear Valve - UK Only

Item No	Description	Désignation Français	Part No	Comments
1	Nut Hex Self Lock M8	Ecrou Bride Autobloquant M8	900013-004	
2	Screw HH M8x50	Vis H M8x50	900015-005	
3	Screw HFHSL M8x30	Vis Hex Br Autobl M8x30	900016-008	
4	Straight Compr 3/8" BSP 12mm	Rac Piq Male 12 - 3/8	900032-003	
5	Dowty Seal Self Centre 1" BSP	Dowty Joint Torique 1" BSP	900450-004	
6	Dowty Seal Self Centre 3/8" BSP	Dowty Joint Torique 3/8" BSP	900450-005	
7	Insulation Sleeve 8.2 mm	Manchon Isolant 8.2 mm	900758-003	
8	Shear Valve (V. R.)	Raccord Cassant (R. V.)	901109	
9	Flange - VR Return	Bride Retour RV	901596	
10	Gasket - Flange 78-82	Joint de Bride 78-82	901859	
11	Flame Arrestor VR	Pare Flamme RV	902002	
12	Bracket Shear Valve VR (UK)	Support Shear Valve VR (UK)	902626	
13	Valve	Vane	902681	
14	Flange	Bride	902682	
15	Nipple R1"-R1"	Douille R1"-R1"	944527	



6.9 VR Risbridger Shear Valve Option

Item No	Description	Désignation Français	Part No	Comments
1	Nut Hex Self Lock M8	Ecrou Bride Autobloquant M8	900013-004	
2	Screw HH M8x50	Vis H M8x50	900015-005	
3	Straight Compr 3/8" BSP 12mm	Rac Piq Male 12 - 3/8	900032-003	
4	Dowty Seal Self Centre 3/8" BSP	Dowty Joint Torique 3/8" BSP	900450-005	
5	Insulation Sleeve 8.2 mm	Manchon Isolant 8.2 mm	900758-003	
6	Flange - VR Return	Bride Retour RV	901596	
7	Gasket - Flange 78-82	Joint de Bride 78-82	901859	
8	Flame Arrestor VR	Pare Flamme RV	902002	
9	Flange	Bride	902682	
10	Assy Shear Valve Risbridger	Ens. Raccord Cassant Risbridger	906069	
11	Brkt Shear Valve VR Lower	Support Rac. Cass. RV Bas	908835	
12	Brkt Shear Valve VR Risbridger	Sup. Rac. Cass. RV Risbridger	908839	
13	Nipple R1"-R1"	Douille R1"-R1"	944527	

This page is intentionally blank

This page is intentionally blank



NL Spare Parts
Koppens Automatic (Bladel)
Industrieweg 5
5531 AD Bladel
The Netherlands
☎ +31 497 389 555
☎ +31 497 381 950

GB Manufacturing
Unit 3, Baker Road
West Pitkerro Industrial Estate
Dundee DD5 3RT
Scotland
☎ +44 (0)1382 598000
☎ +44 (0)1382 598001

F Manufacturing
Route de Soliers
14540 Grentheville
BP268, Caen Cedex 14013
France
☎ +33 231 15 15 15
☎ +33 231 23 15 06

EUROPE

A Austria
Tokheim Austria GMBH
Eitzenberger Strasse 4-6
A-2544 Leobersdorf
☎ +43 (0) 2256 606 0
☎ +43 (0) 2256 606 170
✉ office@leobersdorf.tokheim.com

B Belgium
Tokheim
Everdongenlaan 31
2300 Turnhout
☎ +32 (0) 14 44 85 00
☎ +32 (0) 14 44 85 55
✉ sales@turnhout.tokheim.com

CZ Czech Republic
Tokheim
Pernerova 48
CZ-18602 Prague 8
☎ +420 224 890 312
☎ +420 222 327 267
✉ pribrsky@prague.tokheim.com

DK Denmark & Scandinavia
Tokheim Scandinavia A/S
Hejrevang 10
3450 Allerød
☎ +45 48 13 45 45
☎ +45 48 17 45 96
✉ service@alleroed.tokheim.com

F France - Le Plessis
Tokheim Services France
9 Avenue Galilée
92350 Le Plessis-Robinson
☎ +33 (0)1 41 36 13 00
☎ +33 (0)1 41 36 13 70
✉ info@tokheim-services.com

F Tokheim Europe & Africa Headquarters
ZAC Paris Nord 2
B.P. 40027 Tremblay-en-France
95912 Roissy C.D.G. Cedex
☎ +33 (0)1 49 90 77 00
☎ +33 (0)1 49 90 77 77
✉ marcom@tremblay.tokheim.com

D Germany
Tokheim GmbH
Lothstrasse 1a
D-80335 München
☎ +49 (0)89 189 53 0
☎ +49 (0)89 189 53 148
✉ service@muenchen.tokheim.com

I Italy
Tokheim Sofitam Italia S.r.l.
Quattordio Km 10800
S.P. 26
14030 Scuzolengo (AT)
☎ +39 0141 2038200
☎ +39 0141 2038222
✉ info@asti.tokheim.com

SALES & SERVICE DIVISIONS

NL Netherlands
Tokheim Netherlands B.V.
Touwslagerstraat 17
Postbus 4186
2980 GD Ridderkerk
☎ +31(0) 180 48 15 00
☎ +31(0) 180 48 15 55
✉ sales@ridderkerk.tokheim.com

PL Poland
Pol-Germann Tokheim Sp. z.o.o.
ul. Narwicka 1
PL-80-557 Gdansk
☎ +48 58 343 21 71
☎ +48 58 343 22 15
✉ pol-germann@tokheim.pl

P Portugal
G.N.C.
Parque de Ciencia e Tecnologia
Edificio Tecnologia 1, N° 27
2780-920 Oeiras
Lisboa
☎ +351 214 220 420
☎ +351 214 214 226

RUS Russia & CIS Countries
Tokheim Representative Office
Room 313, Hotel "Ukraina"
Kutuzovski Prospekt, 2/1
Stroyenie 1
Moscow 121249
☎ +7 095 933 69 35
☎ +7 095 933 69 34
✉ kolobov@dol.ru

SK Slovak Republic
Tokheim
Mlynske Nivy 70
SK-82015 Bratislava
☎ +421 2 58 27 02 15
☎ +421 2 52 41 41 23
✉ schroeder@berlin.tokheim.com

E Spain
Tokheim Koppens Iberica S.A.
Calle La Granja, 41
Poligono Industrial de Alcobendas
28108 Alcobendas (Madrid)
☎ +34 91 2030465
☎ +34 91 6614130
✉ urra@madrid.tokheim.com

CH Switzerland
Tokheim Switzerland AG/SA/LTD
Route du Crochet 7
Case Postale 50
1762 Givisiez
☎ +41 (0)26 460 51 11
☎ +41 (0)26 460 51 12
✉ user@givisiez.tokheim.com

GB United Kingdom
Unit 1, Baker Road
West Pitkerro Industrial Estate
Dundee DD5 3RT
Scotland
☎ +44 (0)1382 483500
☎ +44 (0)1382 731835
✉ service@tokheimuk.com

MIDDLE EAST, SOUTH & CENTRAL AMERICA

F Export Division
ZAC Paris Nord 2
B.P. 40027 Tremblay-en-France
95912 Roissy C.D.G. Cedex
France
☎ +33 (0)1 49 90 77 56
☎ +33 (0)1 49 90 77 93
✉ marcom@tremblay.tokheim.com

AFRICA
RFC Cameroon
Socatam S.A.
BP 3941
Douala
☎ +237 40 57 86
☎ +237 40 57 88
✉ socatam.douala@camnet.cm

MA Morocco
Matam S.A.
209 Bld Moulay Ismail
Route de Rabat
Casablanca
☎ +212 22 40 40 24
☎ +212 22 40 40 21
✉ matam@wanadoo.net.ma

SN Senegal
Cosetam S.A.
Quartier de Bel Air
Route des Hydrocarbures
BP 1237
Dakar
☎ +221 832 23 71
☎ +221 832 68 34
✉ cosetam@ns.arc.sn

ZA South Africa
Tokheim South Africa Ltd
Stand 110, Precision Road
Kya Sand
Randburg
☎ +27 11 462 2105
☎ +27 11 462 1942
✉ tokheimsales@tokheim.co.za

TN Tunisia
Cottam SARL
116 Ave de l'Union du Maghreb Arabe
BP 117
La Soukra
2036 Tunis
☎ +216 175 95 50
☎ +216 175 95 30
✉ cottam@cottam.com.tn

ASIA
AE Tokheim
PO Box 16869
JAFZ
Dubai, UAE
☎ +971 4 881 3305
☎ +971 4 881 4463
✉ tokheim@emirates.net.ae

As Tokheim regularly improves its products to ever better respond to evolving market and regulatory requirements, it reserves the right to change any of the specifications of these products, and this without prior notice.

For technical manual enquiries,
contact: author@dundee.tokheim.com